



charcoal: SC-EM-CG



black: SC-EM-BL



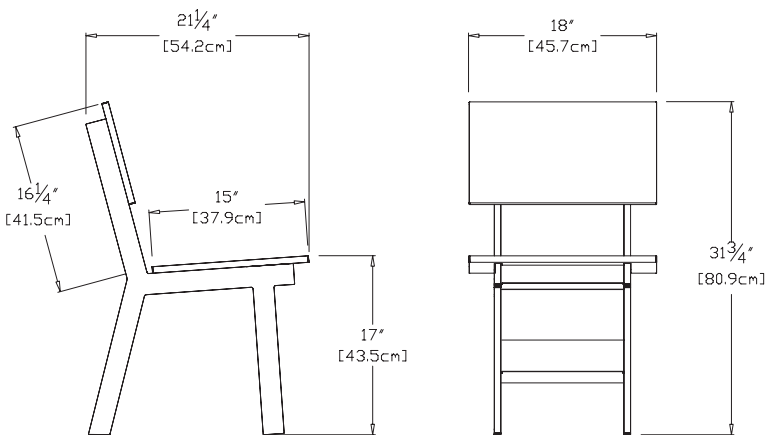
cloud: SC-EM-CW



leaf: SC-EM-LG



apple red: SC-EM-AR



driftwood: SC-EM-DW



navy blue: SC-EM-NB



sky: SC-EM-SB



sunset: SC-EM-OR

collection: Salmela
material: 100% recycled HDPE
dimensions: width: 18" (45.7cm)
 depth: 21.25" (54.2cm)
 height: 31.75" (80.9cm)
weight: 17 lbs (7.7 kg)



136
 reclaimed
 milk jugs

shipping dimensions: 30" x 20" x 6"
shipping weight: 21 lbs (9.5kg)



flat pack shipped
 some assembly required

