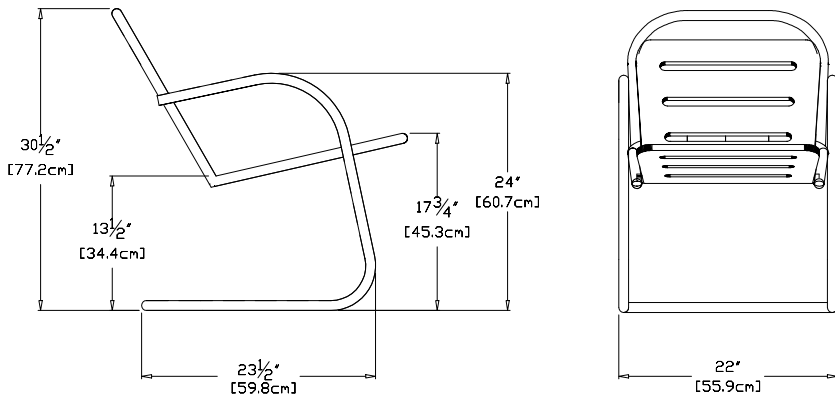




charcoal: PC-PC-CG



black: PC-PC-BL



cloud: PC-PC-CW



leaf: PC-PC-LG



apple red: PC-PC-AR



driftwood: PC-PC-DW



navy blue: PC-PC-NB



sky: PC-PC-SB



sunset: PC-PC-OR

collection: lounge

material: 100% recycled HDPE

dimensions: width: 22" (55.9cm)
depth: 23.5" (59.8cm)
height: 30.5" (77.2cm)

weight: 23 lbs (10.4 kg)



80
reclaimed
milk jugs

shipping dimensions: 32" x 22" x 27"
shipping weight: 28 lbs (12.7kg)



ships fully assembled

