

## lollygagger bar cart



**charcoal:** LC-LBC-CG



**black:** LC-LBC-BL



**cloud:** LC-LBC-CW



**leaf:** LC-LBC-LG



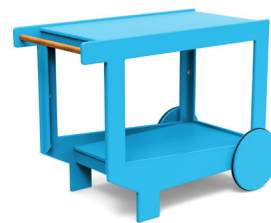
**chocolate:** LC-LBC-CB



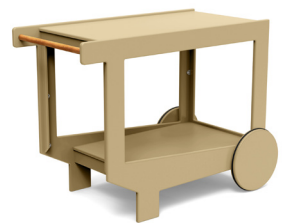
**apple red:** LC-LBC-AR



**sunset:** LC-LBC-OR



**sky:** LC-LBC-SB



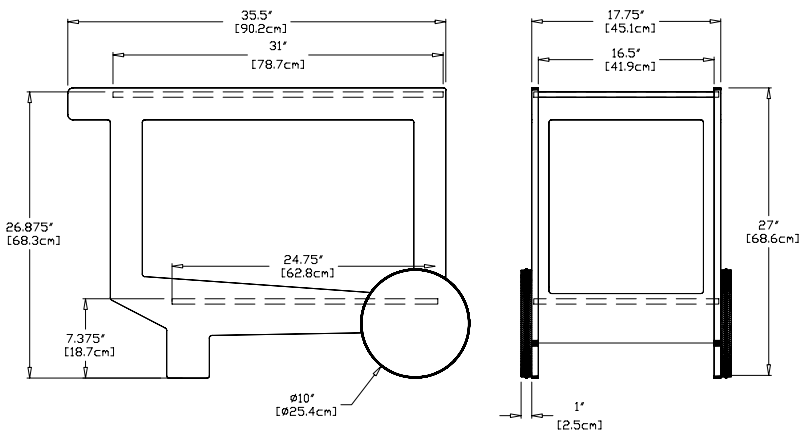
**sand:** LC-LBC-SD



**evergreen:** LC-LBC-EG



**navy blue:** LC-LBC-NB



**collection:** lollygagger

**material:** 100% recycled HDPE

**dimensions:** width: 19.75" (50.7cm)  
depth: 35.5" (90.2cm)  
height: 27" (68.6cm)

**weight:** 43.5 lbs (19.7kg)



**348**  
reclaimed  
milk jugs

**shipping dimensions:** 37" x 4" x 31"  
**shipping weight:** 48 lbs (21.8kg)



flat pack shipped  
some assembly required

