



round: AC-HRR-(color code)



square: AC-HRS-(color code)

charcoal: color code CG



black: color code BL



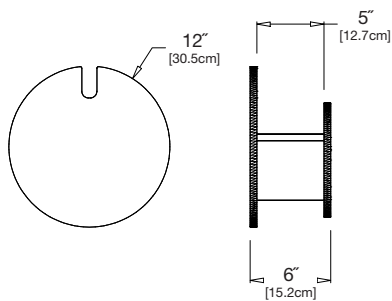
cloud: color code CW



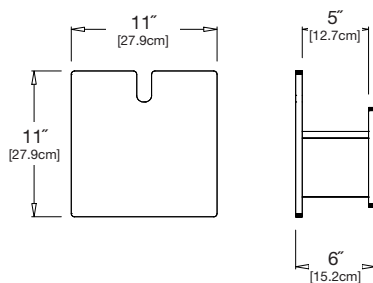
leaf: color code LG



apple: color code AR



ROUND



SQUARE



driftwood: color code DW



navy blue: color code NB



sky: color code SB



sunset: color code OR

collection: accessories
material: 100% recycled HDPE
weight: 4 lbs (1.5kg)



36
reclaimed
milk jugs

shipping dimensions: 12" x 12" x 6"
shipping weight: 5 lbs (1.9kg)



shipped fully assembled

