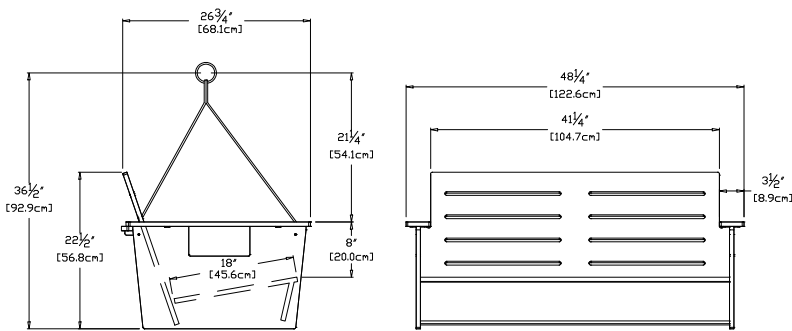




charcoal: GO-PS-CG



black: GO-PS-BL



cloud: GO-PS-CW



leaf: GO-PS-LG



chocolate: GO-PS-CB



apple red: GO-PS-AR



sunset: GO-PS-OR



sky: GO-PS-SB



sand: GO-PS-SD



evergreen: GO-PS-EG



navy blue: GO-PS-NB

collection: go
material: 100% recycled HDPE
dimensions: width: 48.25" (122.6cm)
 depth: 26.75" (68.1cm)
 height: 22.5" (56.8cm)
weight: 65 lbs (29.5kg)



520
 reclaimed
 milk jugs

shipping dimensions: 24" x 4" x 48"
shipping weight: 80 lbs (36.3kg)



flat pack shipped
 some assembly required

