

fire ring
AC-FR



black: AC-FRS-BL



cloud: AC-FRS-CW



leaf: AC-FRS-LG



chocolate: AC-FRS-CB



apple red: AC-FRS-AR



sunset: AC-FRS-OR



sky: AC-FRS-SB



sand: AC-FRS-SD



evergreen: AC-FRS-EG



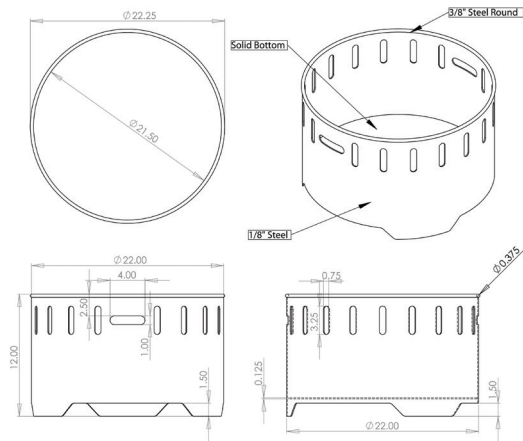
navy blue: AC-FRS-NB



cover only
AC-FRT(color code)

charcoal: AC-FRS-CG

Note: The Steel is unfinished and will develop a nice rusty patina over time.



collection: accessories

material: 100% recycled HDPE

dimensions: width: 27.25" (69.2cm)
depth: 27.25" (69.2cm)
height: 12" (30.5cm)

weight: 40 lbs (18.1kg)

shipping dimensions: 24" x 24" x 12"
28" x 4" x 24"

shipping weight: 60 lbs (27.2kg)



72
reclaimed
milk jugs



shipped fully assemble

