



AC-AH-CG-CW



AC-AH-CG-CG



AC-AH-BL-CW



AC-AH-BL-CG



AC-AH-CW-CW



AC-AH-CW-CG

### black:

### cloud:



AC-AH-LG-CW



AC-AH-LG-CG



AC-AH-CB-CW



AC-AH-CB-CG

### leaf:

### chocolate:



AC-AH-AR-CW



AC-AH-AR-CG



AC-AH-SD-CW



AC-AH-SD-CG

### apple red:

### sunset:



AC-AH-SB-CW



AC-AH-SB-CG



AC-AH-OR-CW



AC-AH-OR-CG

### sky:

### sand:



AC-AH-EG-CW



AC-AH-EG-CG



AC-AH-NB-CW

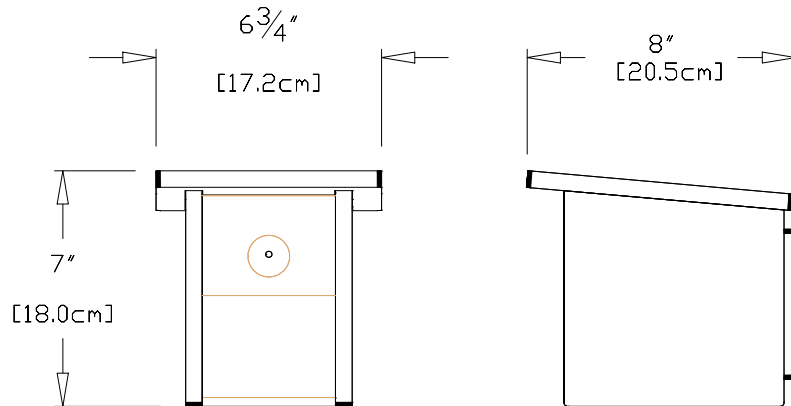


AC-AH-NB-CG

### evergreen:

### navy blue:

### charcoal:



**collection:** accessories  
**material:** 100% recycled HDPE  
**dimensions:** width: 6.75" (17.2cm)  
 depth: 8" (20.5cm)  
 height: 7" (18.0cm)  
**weight:** 3 lbs (1.4kg)



**24**  
 reclaimed  
 milk jugs

**shipping dimensions:** 8" x 8" x 7"  
**shipping weight:** 4 lbs (1.8kg)



flat pack shipped  
 some assembly required

