



**charcoal:** ST-L4S-CG



**black:** ST-L4S-BL



**cloud:** ST-L4S-CW



**leaf:** ST-L4S-LG



**chocolate:** ST-L4S-CB



**apple red:** ST-L4S-AR



**sunset:** ST-L4S-OR



**sky:** ST-L4S-SB



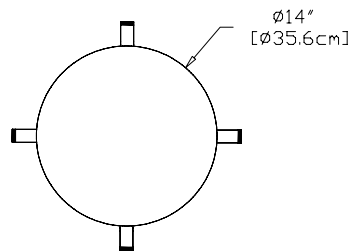
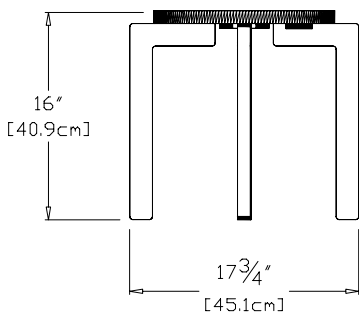
**sand:** ST-L4S-SD



**evergreen:** ST-L4S-EG



**navy blue:** ST-L4S-NB



**collection:** accessories  
**material:** 100% recycled HDPE  
**dimensions:** width: 17.75" (45.1cm)  
 depth: 17.75" (45.1cm)  
 height: 16" (40.9cm)  
**weight:** 11 lbs (5.0kg)



**88**  
 reclaimed  
 milk jugs

**shipping dimensions:** 18" x 14" x 4"  
**shipping weight:** 11.5 lbs (5.2kg)



flat pack shipped  
 some assembly required

