



charcoal: KD-LL-CG



black: KD-LL-BL



cloud: KD-LL-CW



leaf: KD-LL-LG



chocolate: KD-LL-CB



apple red: KD-LL-AR



sunset: KD-LL-OR



sky: KD-LL-SB



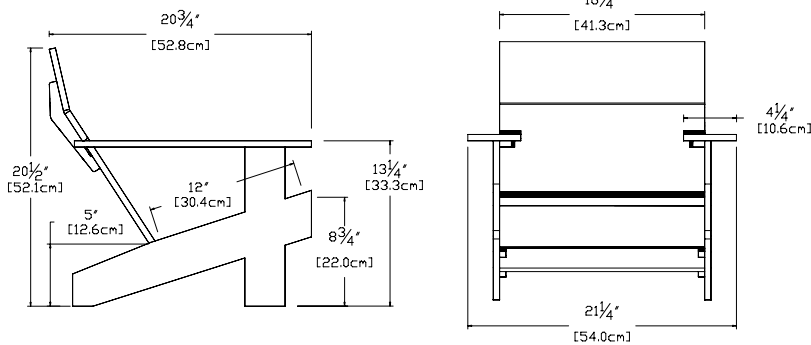
sand: KD-LL-SD



evergreen: KD-LL-EG



navy blue: KD-LL-NB



<p>collection: kids</p> <p>material: 100% recycled HDPE</p> <p>dimensions: width: 21.25" (54.0cm) depth: 20.75" (52.8cm) height: 20.5" (52.1cm)</p> <p>weight: 17 lbs (7.7kg)</p>	<p>136 reclaimed milk jugs</p>
<p>shipping dimensions: 24.5" x 16.5" x 4.5"</p> <p>shipping weight: 19 lbs (8.6kg)</p>	<p>flat pack shipped some assembly required</p>

