



**charcoal:** GO-ST-CG



**black:** GO-ST-BL



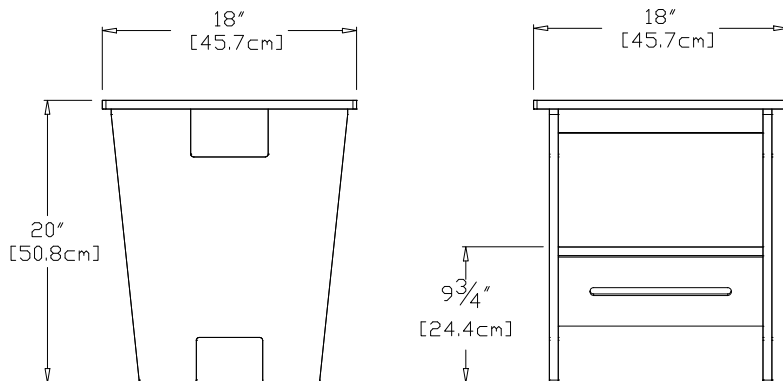
**cloud:** GO-ST-CW



**leaf:** GO-ST-LG



**apple red:** GO-ST-AR



**driftwood:** GO-ST-DW



**navy blue:** GO-ST-NB



**sky:** GO-ST-SB



**sunset:** GO-ST-OR

**collection:** go  
**material:** 100% recycled HDPE  
**dimensions:** width: 18" (45.7cm)  
 depth: 18" (45.7cm)  
 height: 20" (50.8cm)  
**weight:** 22 lbs (10kg)



**176**  
 reclaimed  
 milk jugs

**shipping dimensions:** 20" x 20" x 4"  
**shipping weight:** 41 lbs (18.6kg)



flat pack shipped  
 some assembly required

