



charcoal: GO-L-CG



black: GO-L-BL



cloud: GO-L-CW



leaf: GO-L-LG



apple red: GO-L-AR



driftwood: GO-L-DW



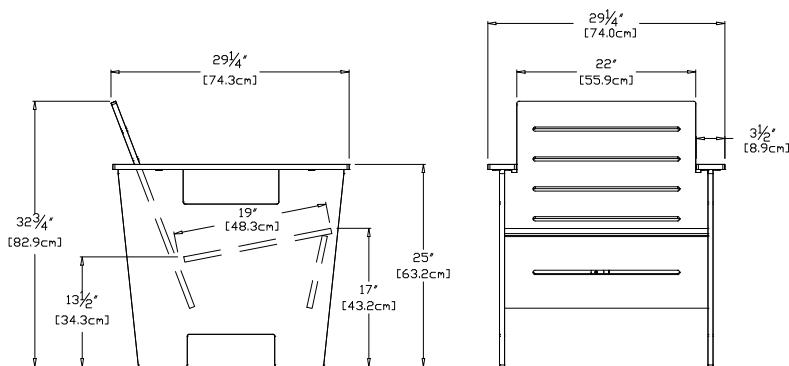
navy blue: GO-L-NB



sky: GO-L-SB



sunset: GO-L-OR



collection: go
material: 100% recycled HDPE
dimensions: width: 29.25" (74.0cm)
 depth: 29.25" (74.3cm)
 height: 32.75" (82.9cm)
weight: 60 lbs (27.2kg)



480
 reclaimed
 milk jugs

shipping dimensions: 30" x 6" x 30"
shipping weight: 67 lbs (30.4kg)



flat pack shipped
 some assembly required

