



solid: AL-CS-CG

charcoal: AL-CL-CG
line



black: solid: AL-CS-BL
line: AL-CL-BL



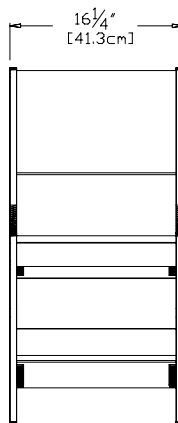
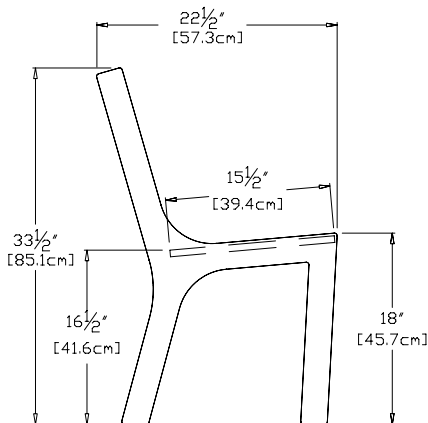
cloud: solid: AL-CS-CW
line: AL-CL-CW



leaf: solid: AL-CS-LG
line: AL-CL-LG



apple: solid: AL-CS-AR
line: AL-CL-AR



driftwood: solid: AL-CS-DW
line: AL-CL-DW



navy blue: solid: AL-CS-NB
line: AL-CL-NB



sky: solid: AL-CS-SB
line: AL-CL-SB



sunset: solid: AL-CS-OR
line: AL-CL-OR

collection: alfresco
material: 100% recycled HDPE
dimensions: width: 16.25" (41.3cm)
depth: 22.5" (57.3cm)
height: 33.5" (85.1cm)
weight: 17 lbs (7.7kg)



136
reclaimed
milk jugs

shipping dimensions: 36" x 24" x 4"
shipping weight: 16 lbs (7.3kg)



flat pack shipped
some assembly required

