



charcoal: AD-WAC-CG



black: AD-WAC-BL



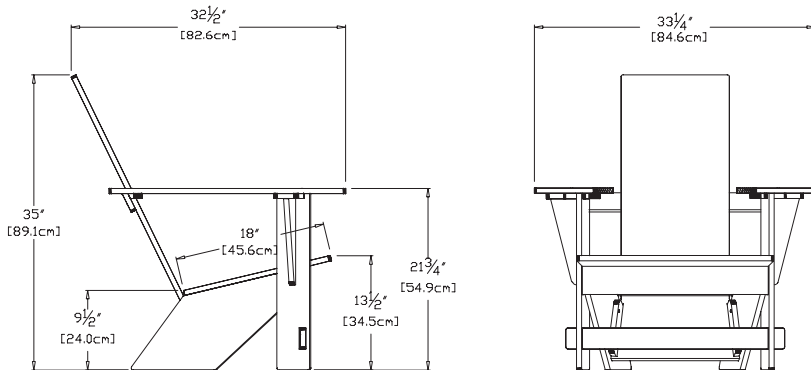
cloud: AD-WAC-CW



leaf: AD-WAC-LG



apple: AD-WAC-AR



driftwood: AD-WAC-DW



navy blue: AD-WAC-NB



sky: AD-WAC-SB



sunset: AD-WAC-OR

**collection:** adirondack  
**material:** 100% recycled HDPE  
**dimensions:** width: 33.25" (84.6cm)  
 depth: 32.5" (82.6cm)  
 height: 35" (89.1cm)  
**weight:** 41 lbs (17.7kg)



**328**  
reclaimed  
milk jugs

**shipping dimensions:** 28" x 5.5" x 38"  
**shipping weight:** 47 lbs (21.3kg)



shipped knocked down  
some assembly required

