

umbrella hole cover

LL-AC-UPG-(COLOR CODE)



dimensions:

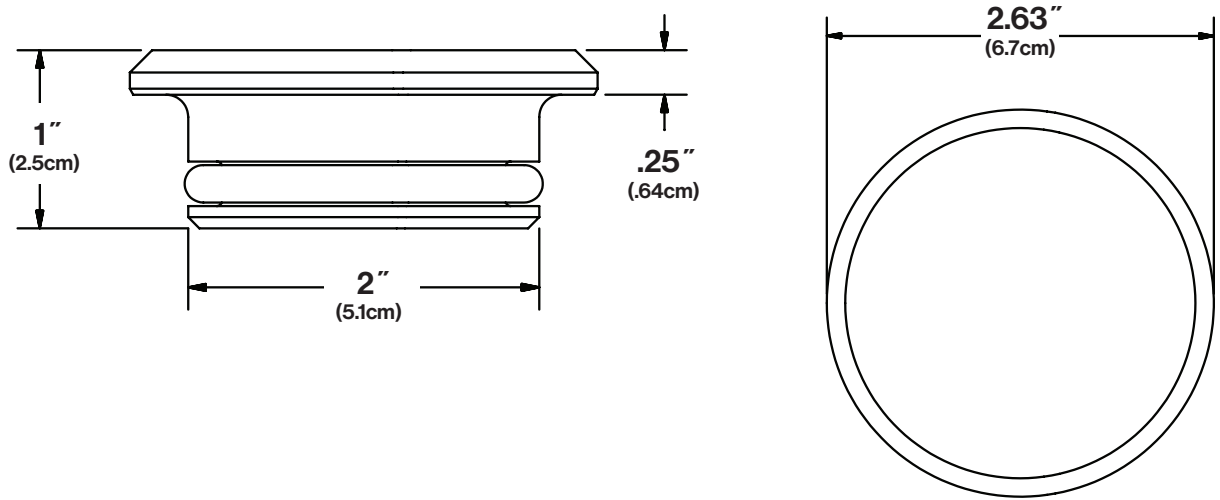
width: 2.63" (6.7cm)
depth: 2" (5.1cm)
height: 1" (2.5cm)

weight:

0.4 lbs (0.18kg)

materials:

HDPE



shipping method:

standard

assembly type:

fully assembled

shipping dimensions:

width: 5.25" (13.33cm)
depth: 5.25" (13.33cm)
height: 5.25" (13.33cm)

shipping weight:

0.5 lbs (0.23kg)



hdpe colors:

- SAGE LL-AC-UPG-SG
- LEAF GREEN LL-AC-UPG-LG
- SKY BLUE LL-AC-UPG-SB
- NAVY BLUE LL-AC-UPG-NB
- CHILI LL-AC-UPG-CL
- APPLE RED LL-AC-UPG-AR
- SUNSET ORANGE LL-AC-UPG-OR
- CLOUD WHITE LL-AC-UPG-CW
- FOG LL-AC-UPG-FG
- DRIFTWOOD LL-AC-UPG-DW
- ASH BLUE LL-AC-UPG-AB
- CHARCOAL GREY LL-AC-UPG-CG
- BLACK LL-AC-UPG-BL

Now you see it. Now you don't! Easily convert your outdoor umbrella hole dining set with the Loll Umbrella Hole Cover. This cover is designed to fit the standard 2" umbrella hole used for our outdoor dining tables. The Umbrella Hole Cover also has a neoprene o-ring and uses our HDPE poly for an exact color match and secure fit. This hole plug sits 1/4" above the table so you can easily remove it when you are ready to add some shade to your setup with our Loll Umbrella and Base.

security option:

use with:
Loll Tables w/ Umbrella Holes

shown above: LL-AC-UPG-CG

DESIGNED + MADE IN THE USA | LOLLDESIGNS.COM

3D MODELS/SPECS
WARRANTY/SECURITY

