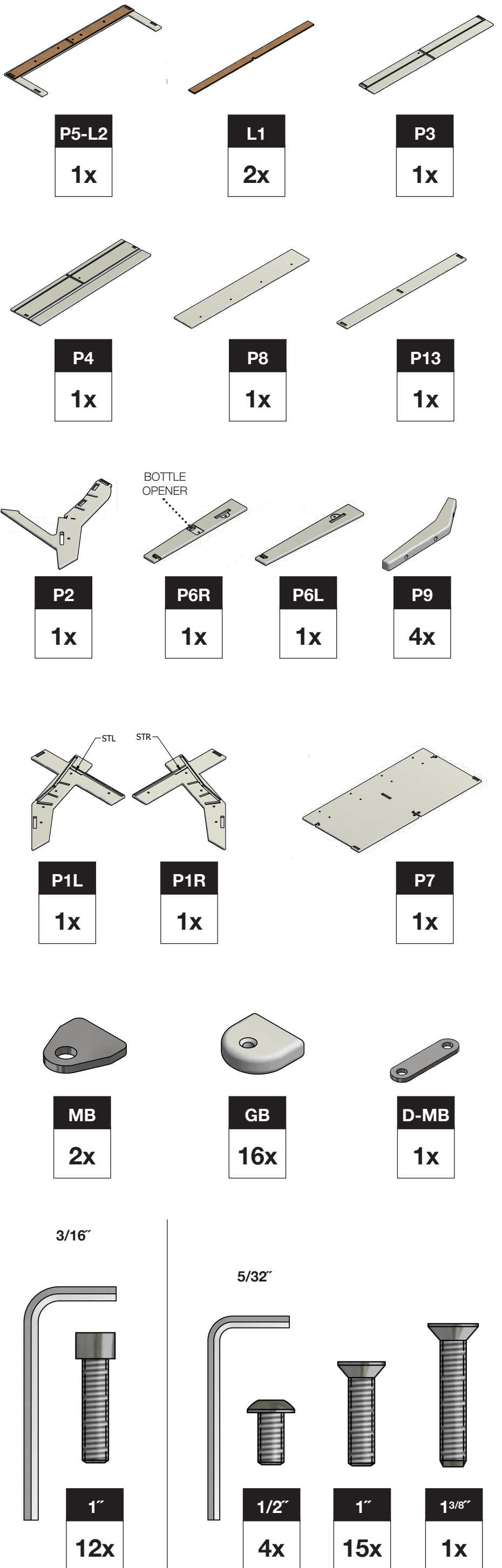


## INCLUDED PARTS



\*Bolts shown actual size.

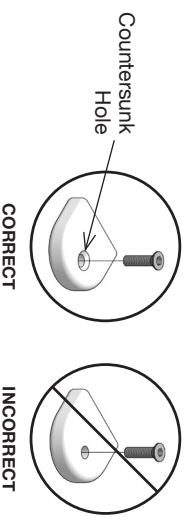
\*\* Please use included 3/16" Allen Wrench for steps 13-14 only.

### ASSEMBLY TIPS: 5 Important Points You **NEED** to Read

1. Prior to beginning assembly, please inspect and inventory the parts to make sure you have everything and that nothing was damaged during shipping. If damage has occurred, please take photos and go to [lollidesigns.com/damage](http://lollidesigns.com/damage). Rest assured we'll get it taken care of straight away!
2. To avoid scratching furniture, assemble on a clean, soft surface like a blanket, carpet, or the flattened cardboard box the furniture was shipped in.
3. **Start all bolts by hand to ensure proper alignment and to prevent cross threading.** Then using the provided tool, tighten until you feel resistance. Do not overtighten.
4. Bolts should not be forced, but some components, particularly blocks, fit snug but can still be installed without tools or excess force.
5. If parts are still not going together, please send us a photo of the part you are having trouble with.

### BLOCK & BOLT INSTALLATION

Insert bolts through countersunk hole side of blocks as shown below.



*"Loll Designs inspires people to appreciate the outdoors."*

Greg Benson - Founder

### ♻️ RECYCLE THE PACKAGING

We've gone through great lengths to make as much of our packaging as possible recyclable. The cardboard box, paper wrap, filler and paper bags can all go in your recycling bin. The muslin hardware bags replaced plastic bags with the intention of reducing plastic and encouraging reuse. Loll Designs and Planet Earth thank you!

### WE WANT YOU TO LOVE YOUR LOLL

For more info and visual aids, watch the assembly videos at [www.lollidesigns.com/videos](http://www.lollidesigns.com/videos)  
For product care & maintenance, visit [www.lollidesigns.com/care-maintenance](http://www.lollidesigns.com/care-maintenance)  
For further lollygagging assistance, please reach out!

+1 877-740-3387

[sales@lollidesigns.com](mailto:sales@lollidesigns.com)

5912 Waseca Street  
Duluth, Minnesota 55807

### ASSEMBLY INSTRUCTIONS & PRODUCT INFO:

### TALL LOLLYGAGGER SOFA



MADE IN THE USA



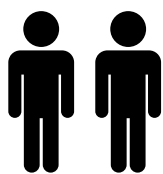
100% ORIGINAL Member



it's good to be recycled

LOLL  
DESIGNS

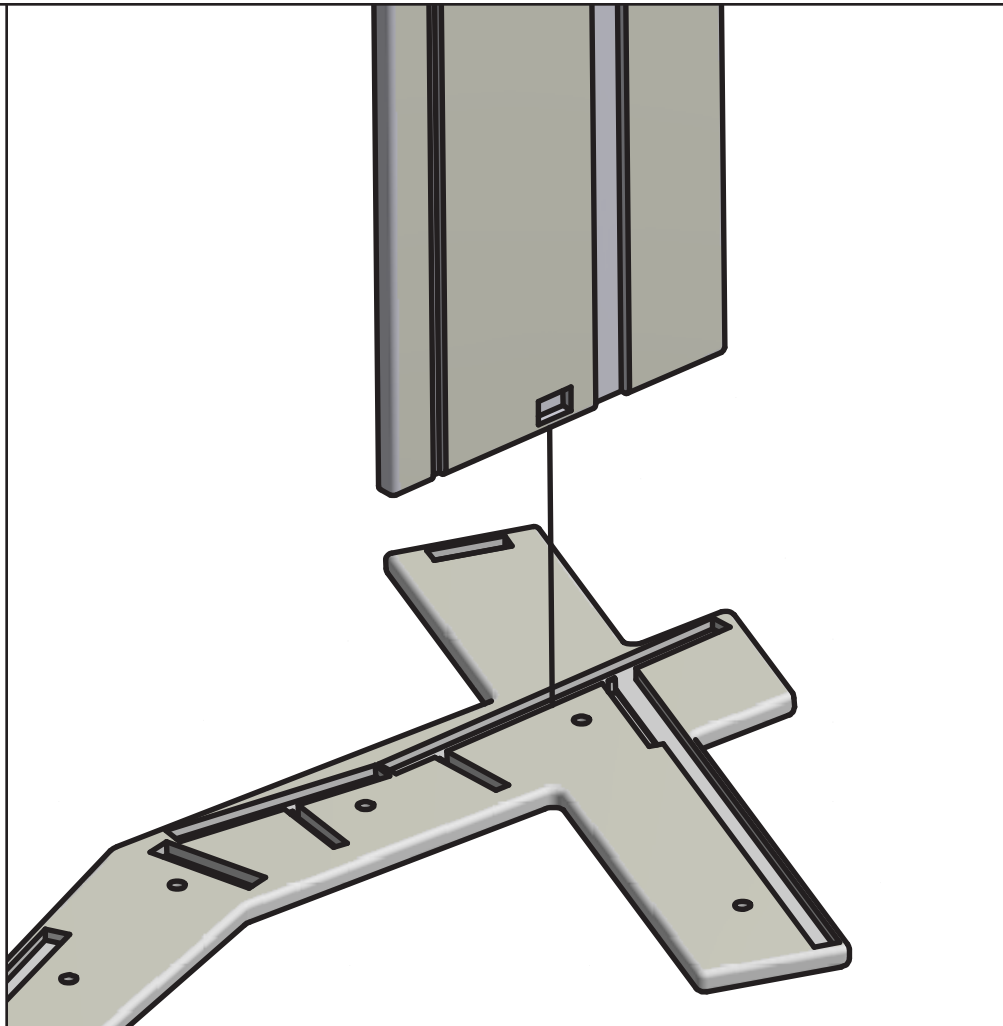
1



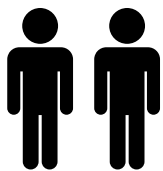
TWO PERSON  
ASSEMBLY  
RECOMMENDED

P1L 1x

P4 1x

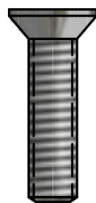


2



TWO PERSON  
ASSEMBLY  
RECOMMENDED

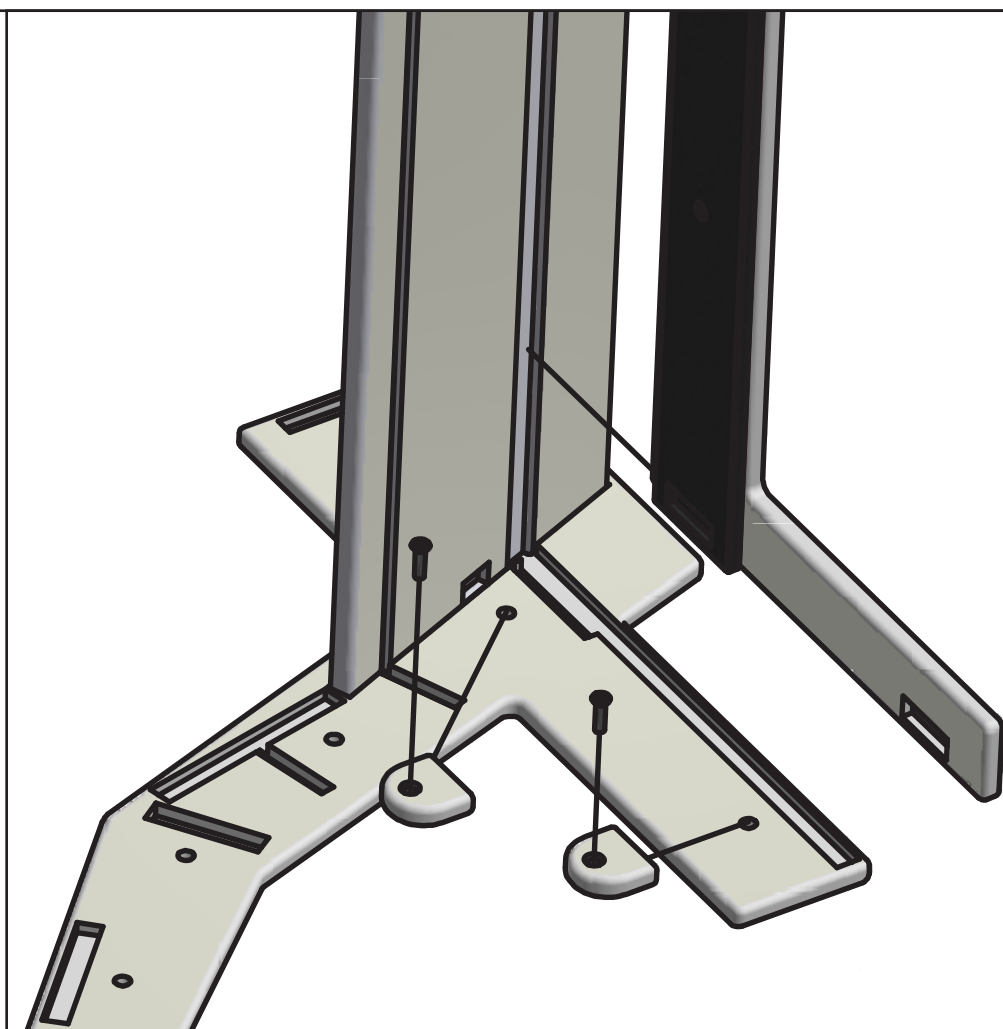
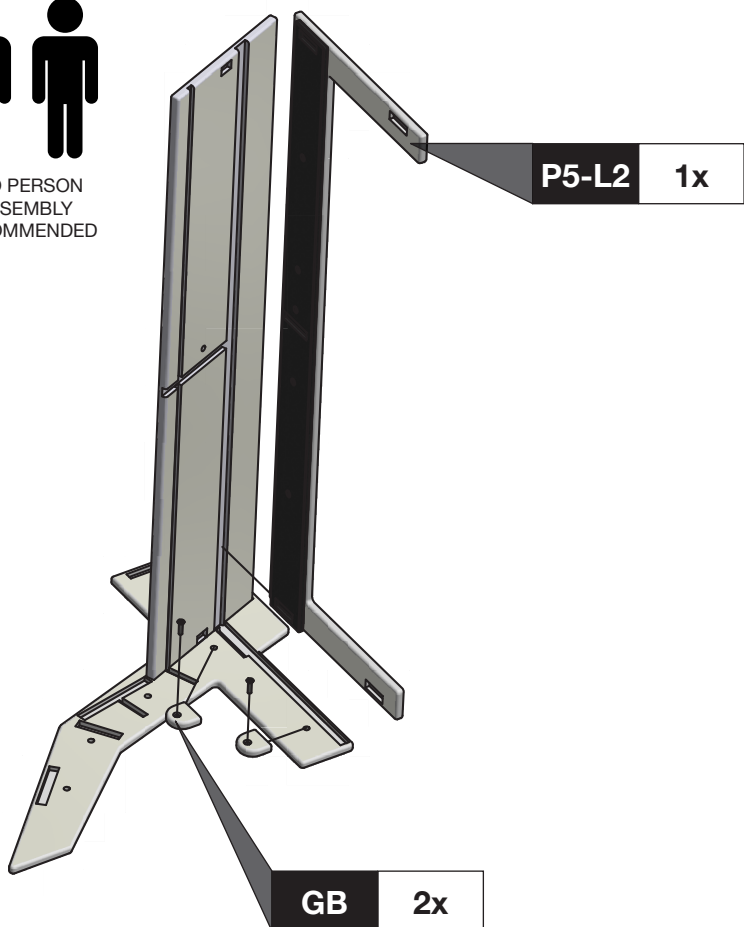
P5-L2 1x



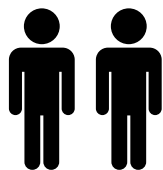
1"

2x

GB 2x



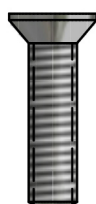
3



TWO PERSON  
ASSEMBLY  
RECOMMENDED

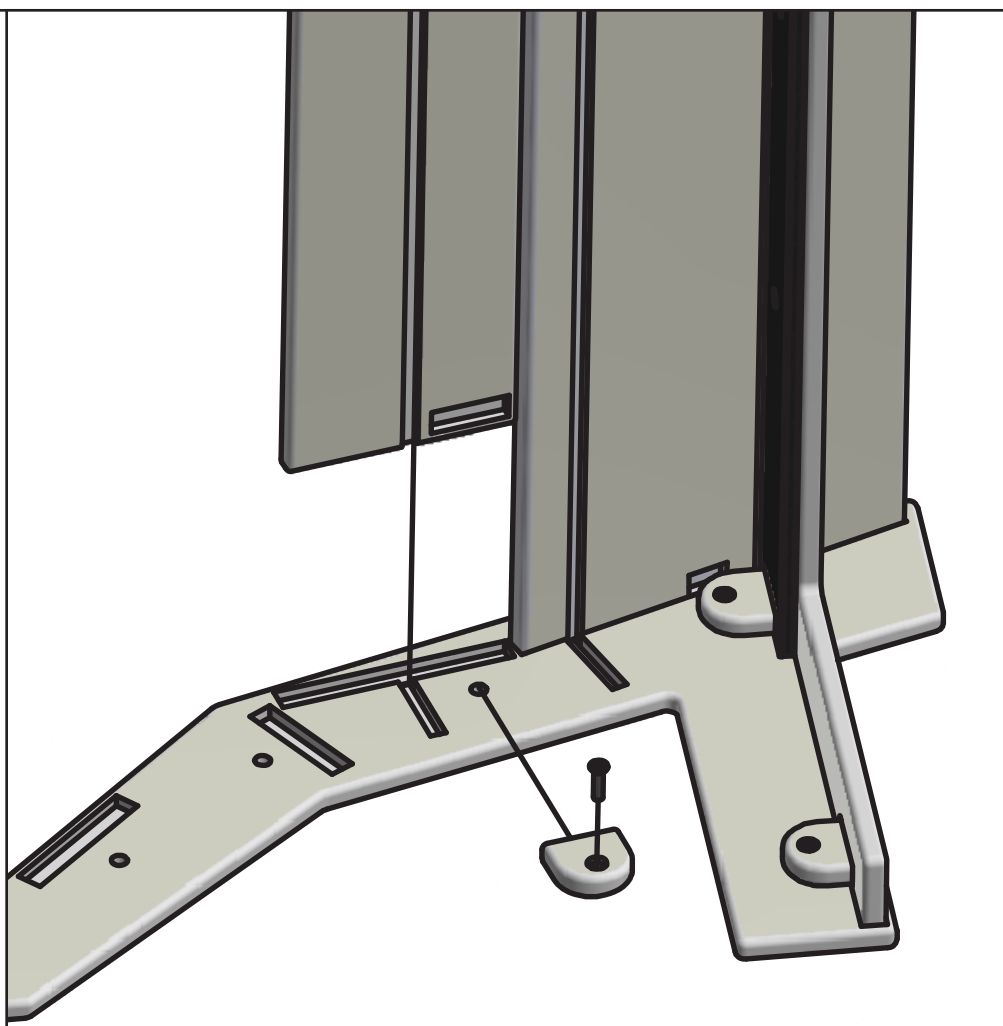
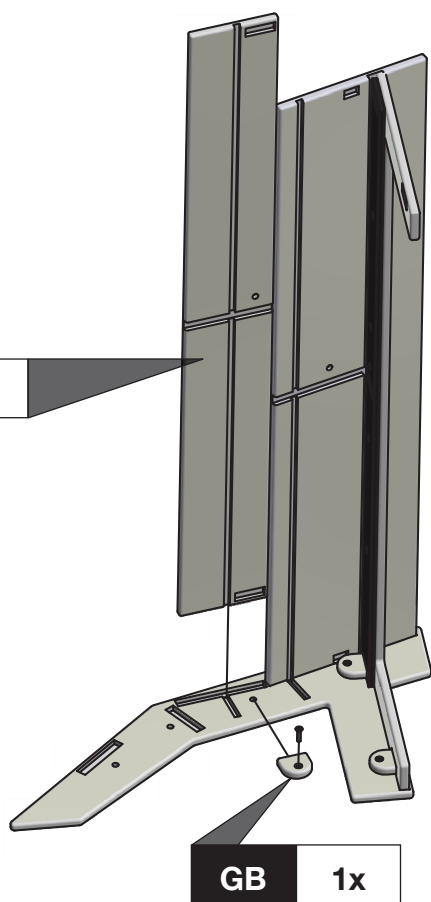
P3 1x

GB 1x



1"

1x



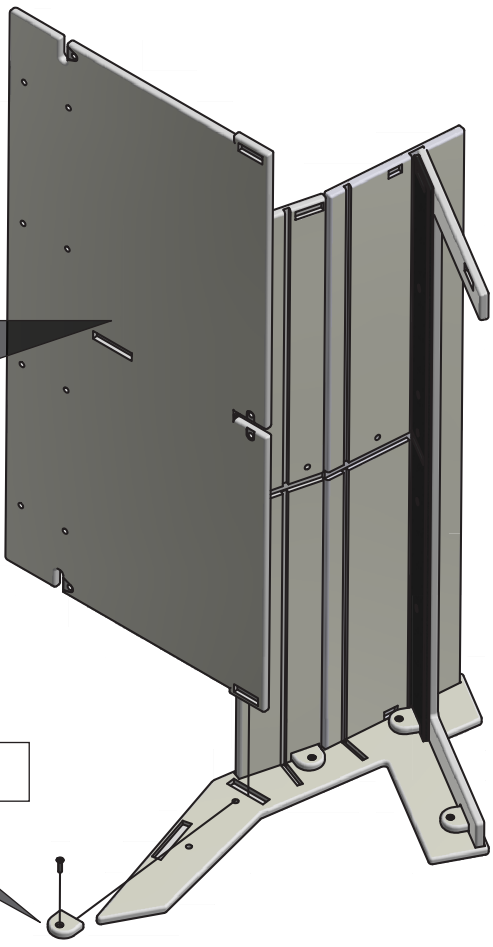
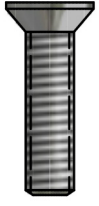
4

P7 1x

GB 1x

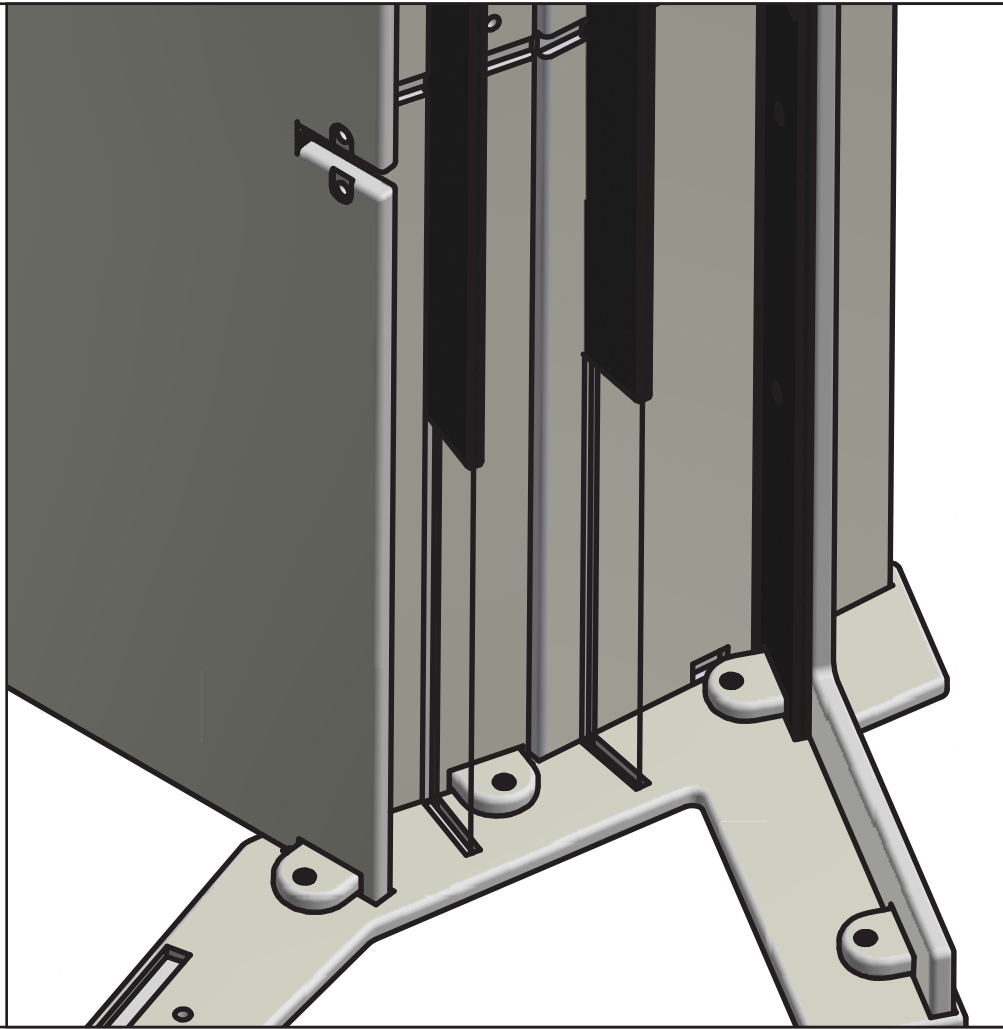
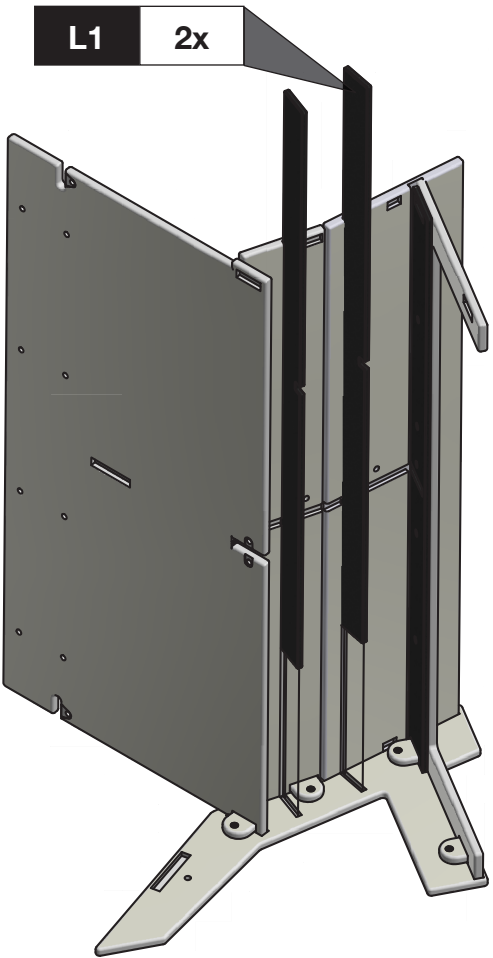
1"

1x



5

L1 2x



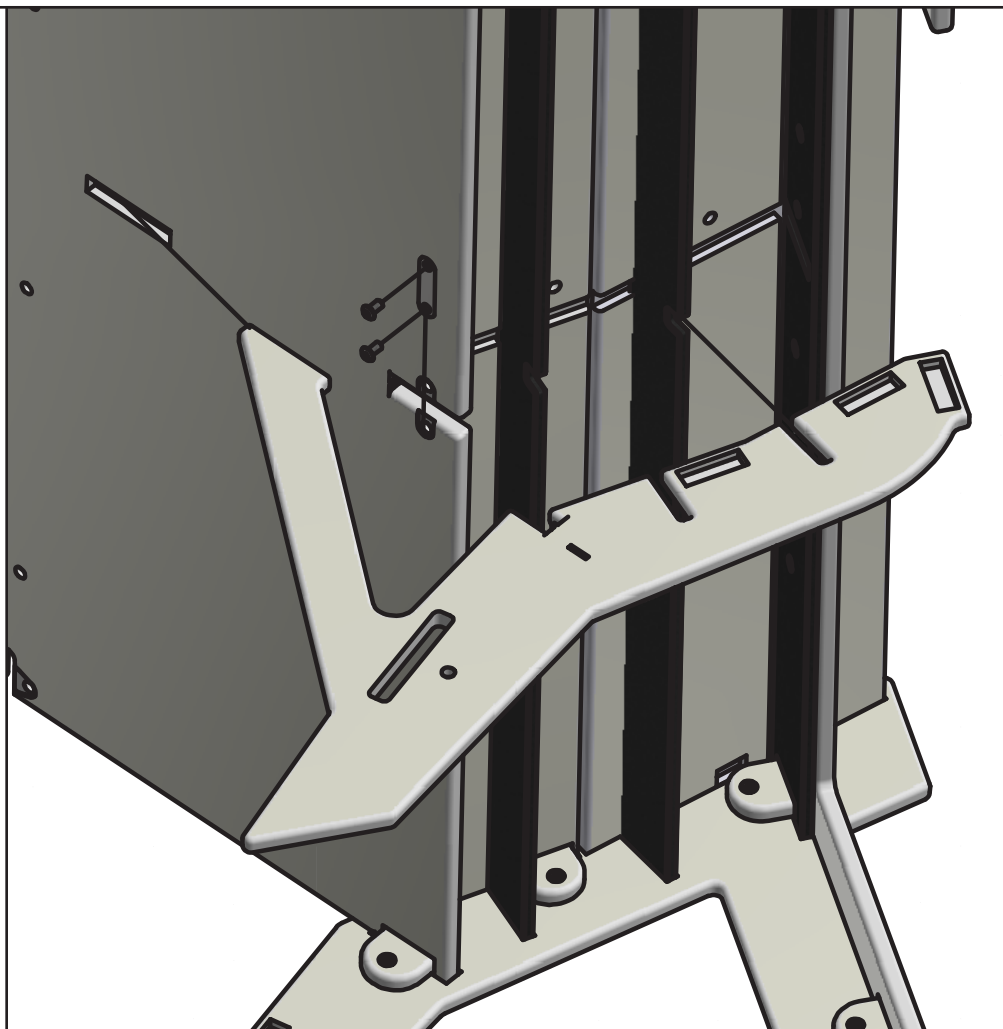
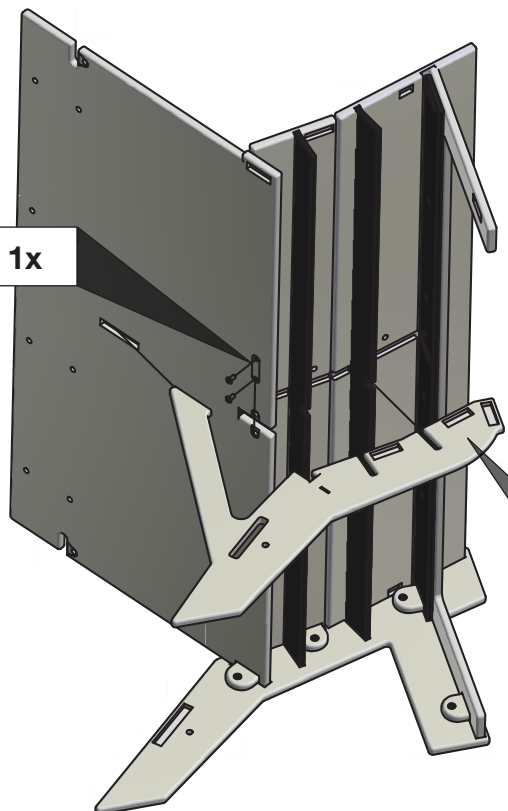
6

D-MB 1x

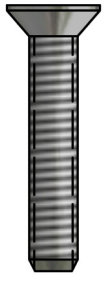
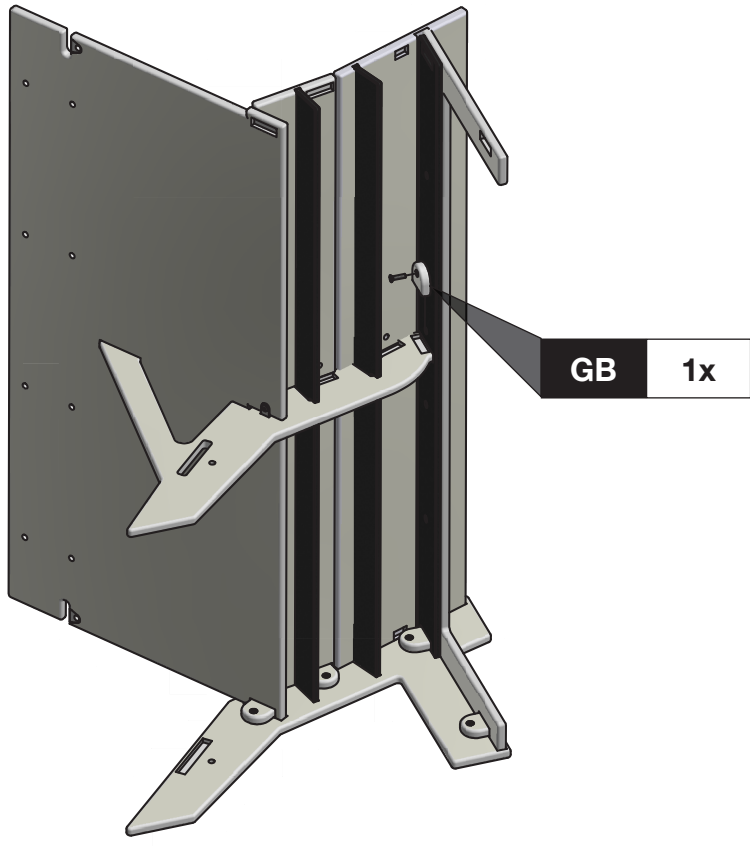
P2 1x

1/2"

2x



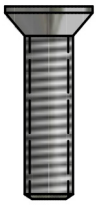
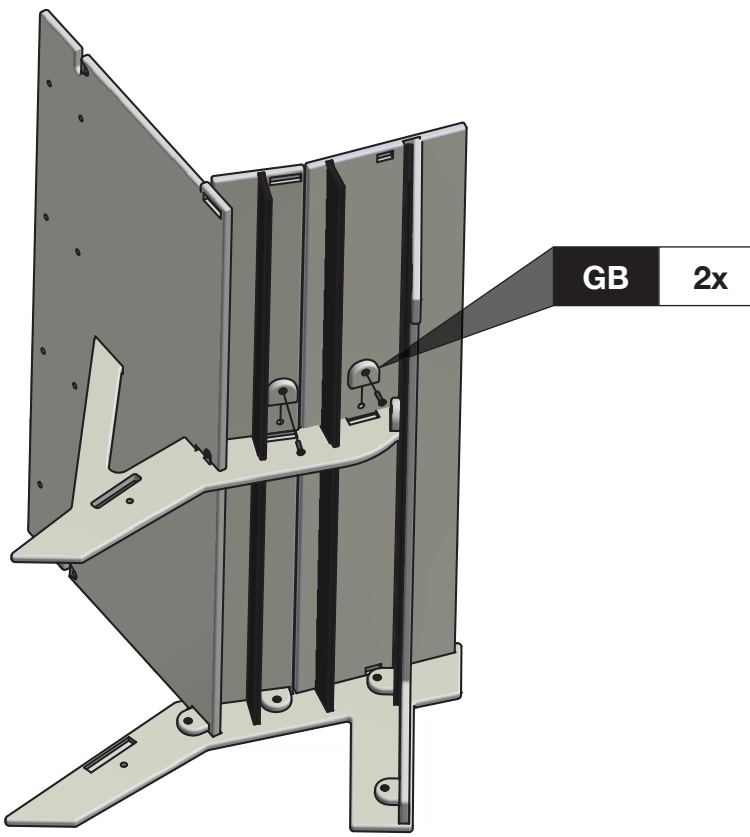
7



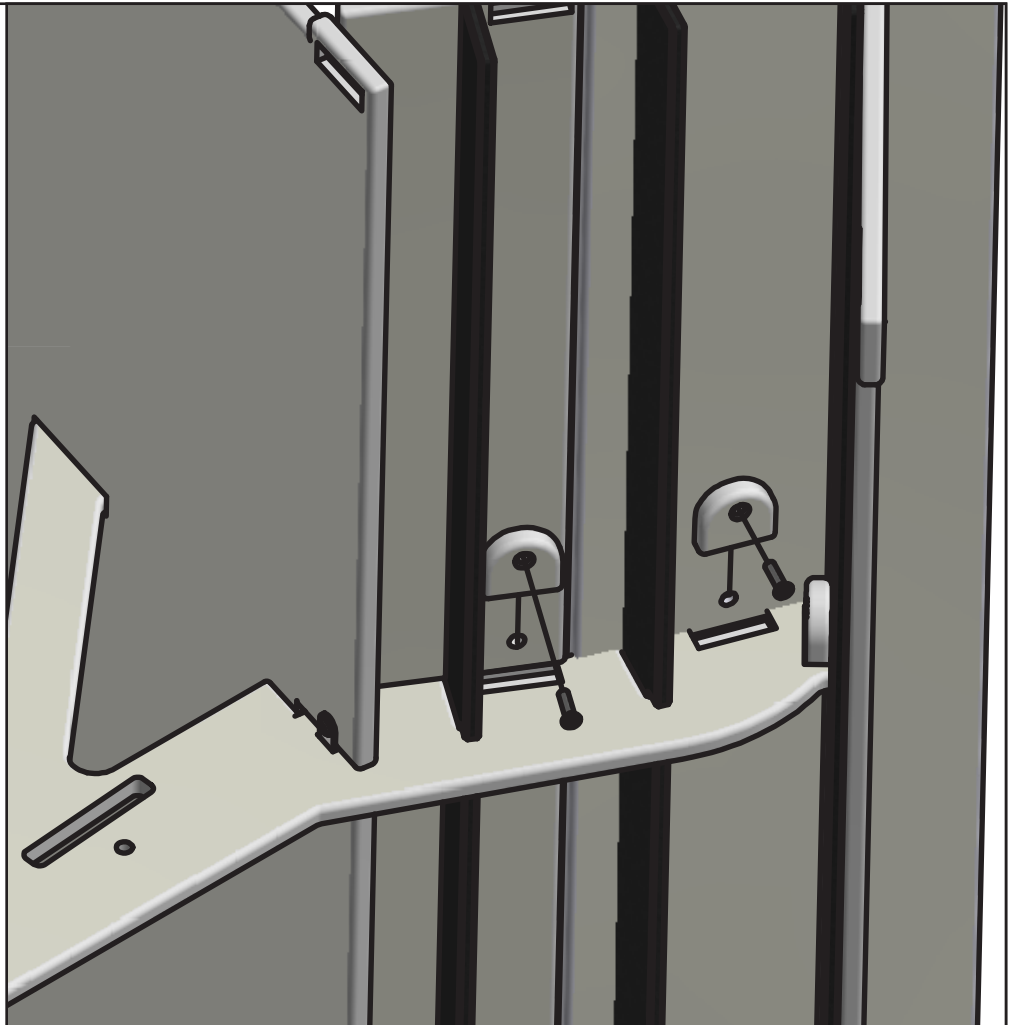
1 3/8"  
1x



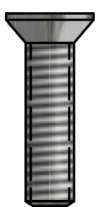
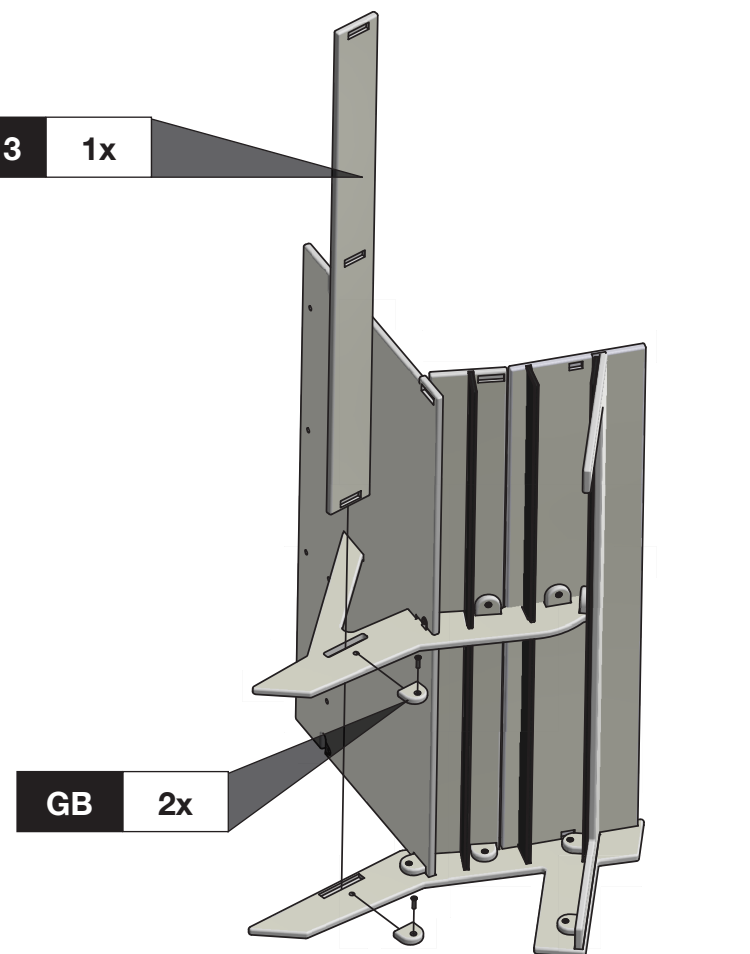
8



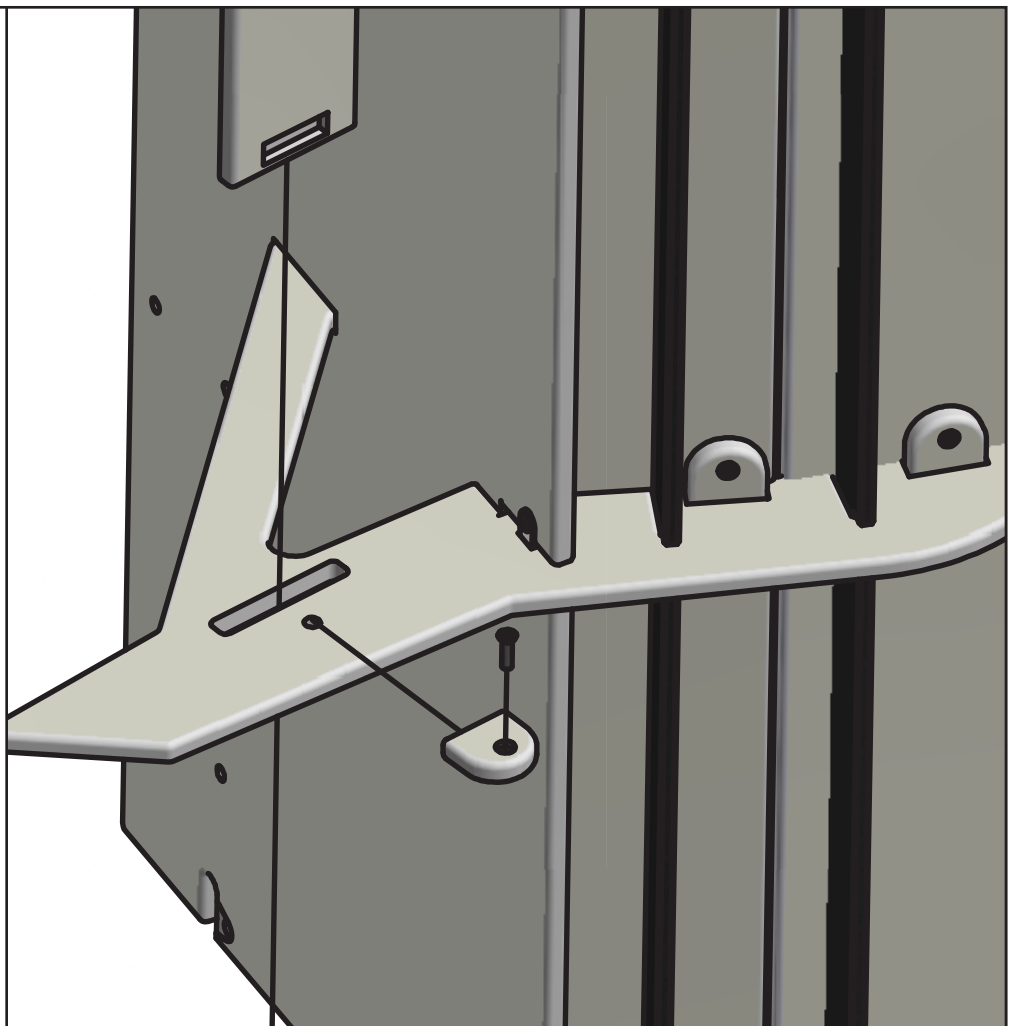
1"  
2x



9



1"  
2x

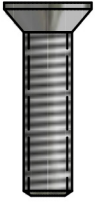




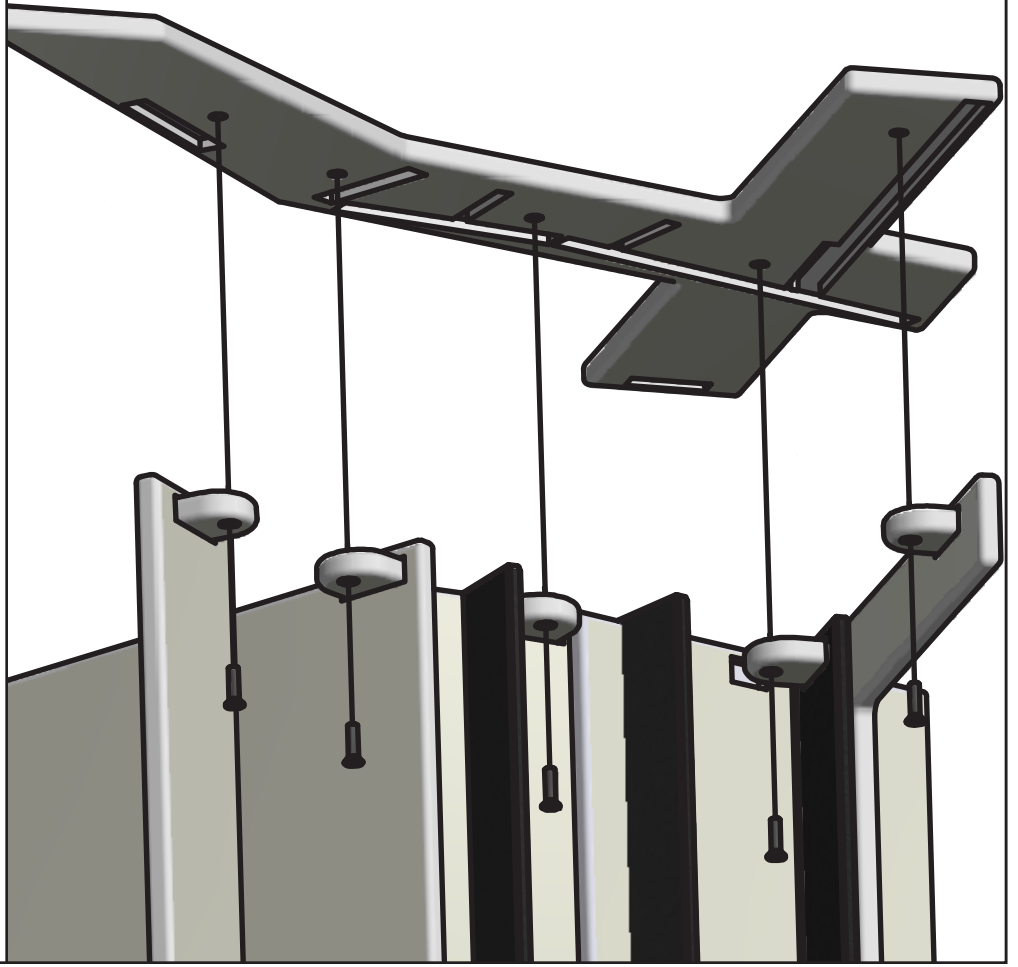
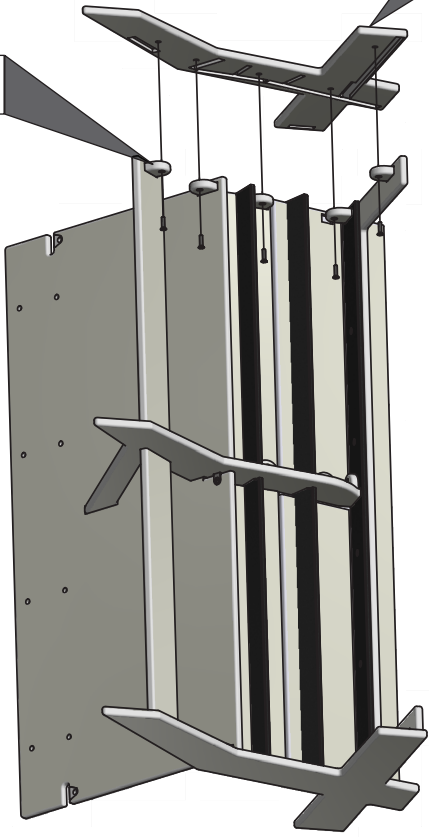
10

P1R 1x

GB 5x



1"  
5x

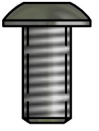


11

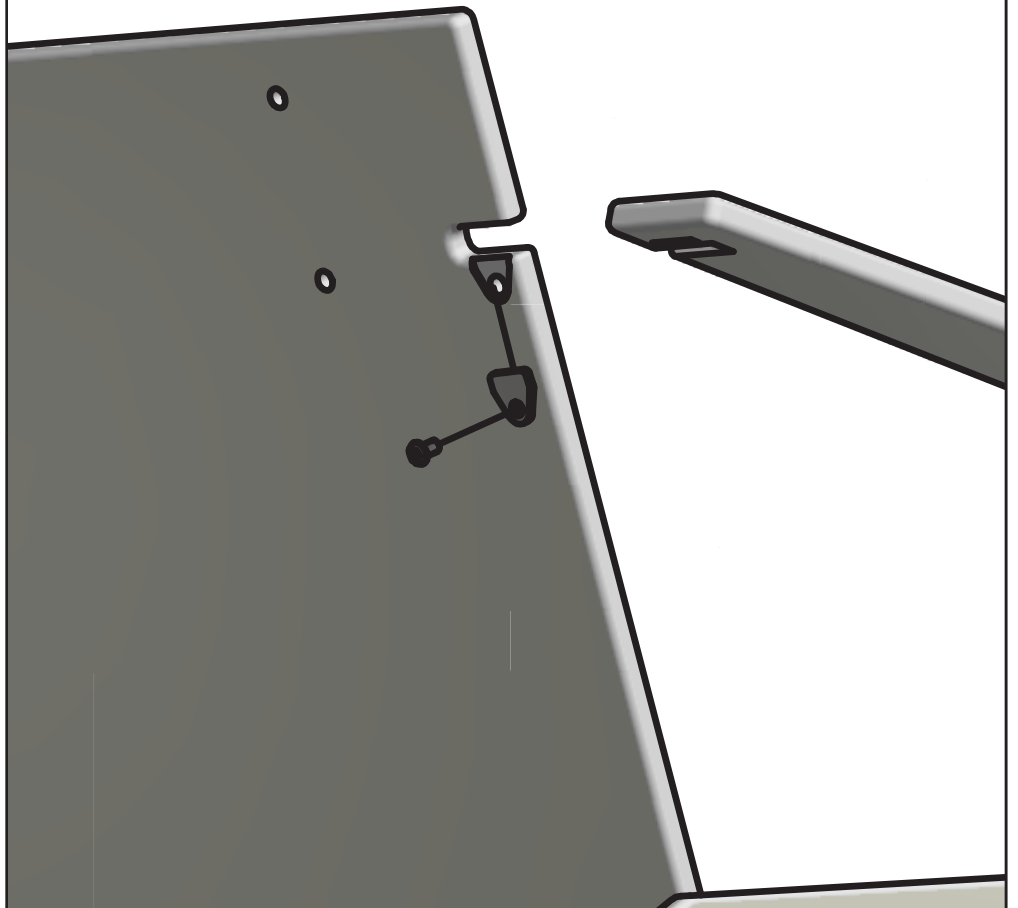
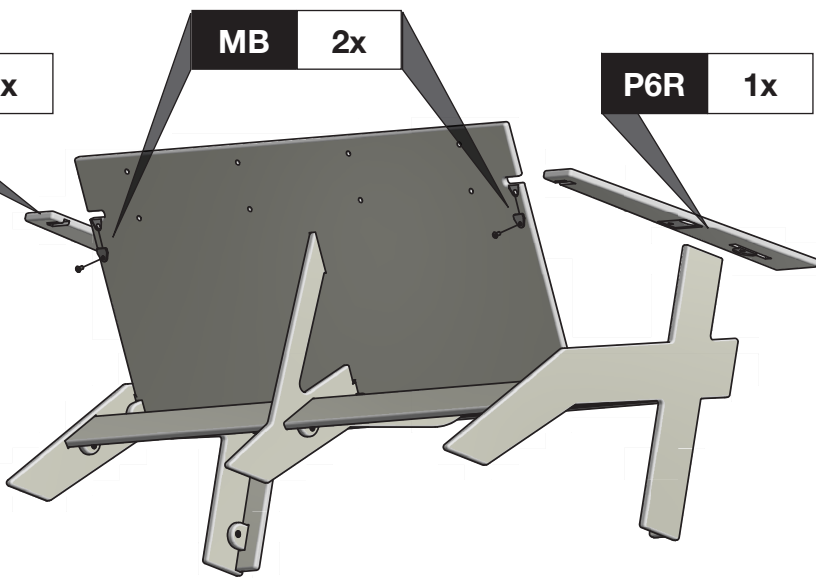
MB 2x

P6L 1x

P6R 1x

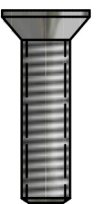


1/2"  
2x

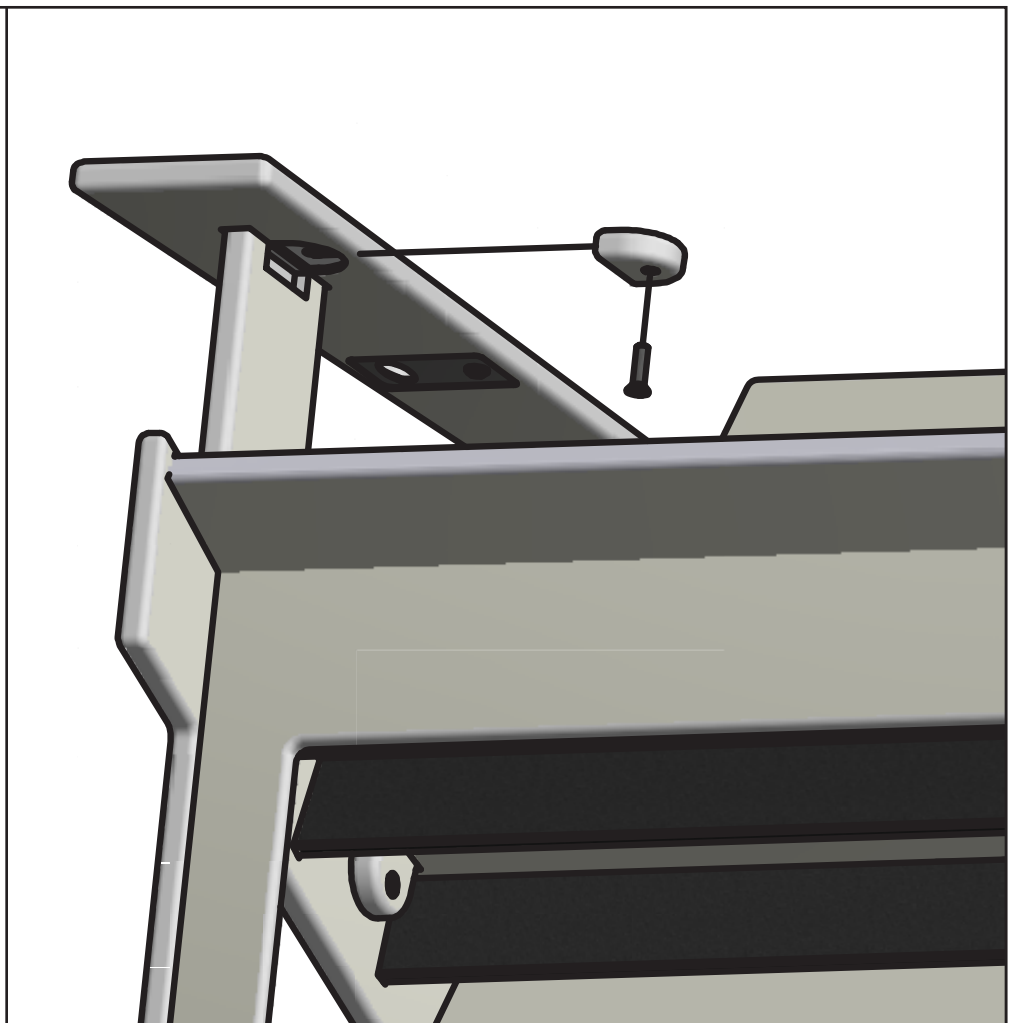
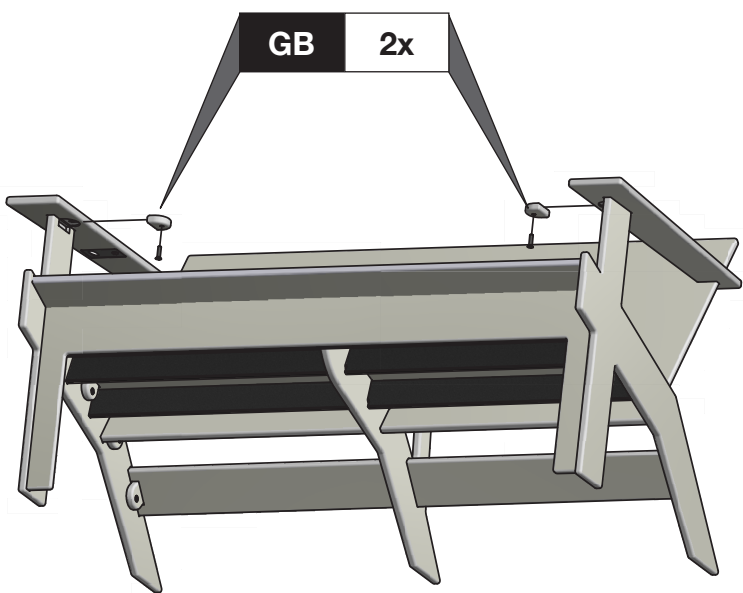


12

GB 2x

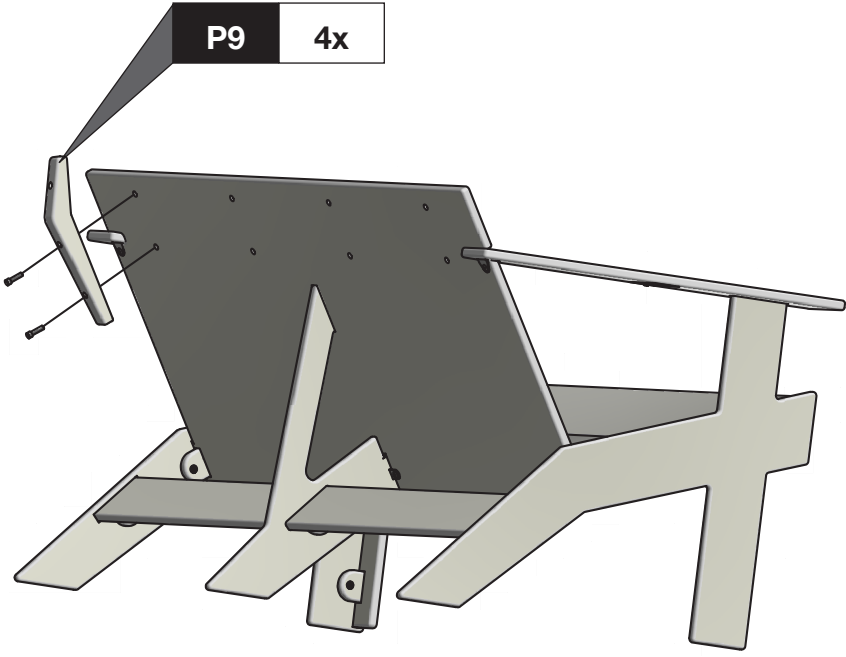


1"  
2x



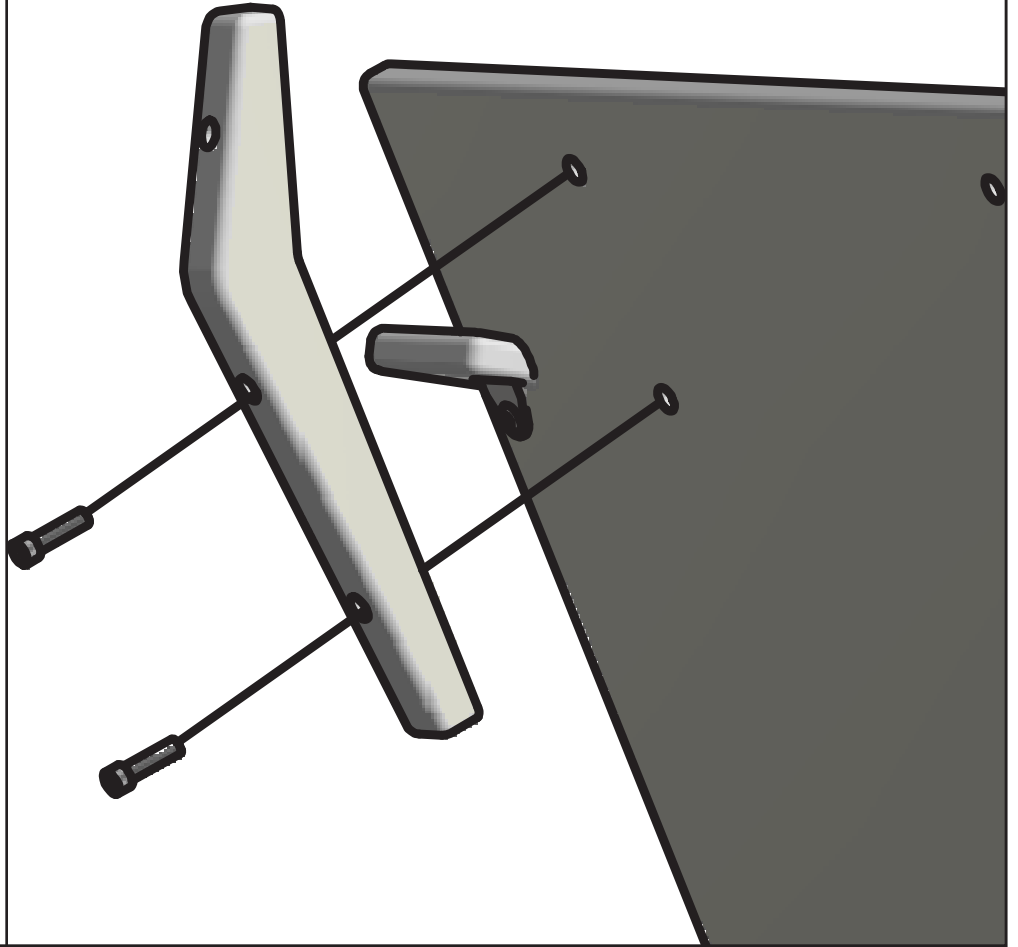
13

P9 4x



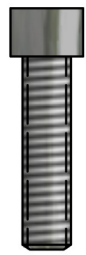
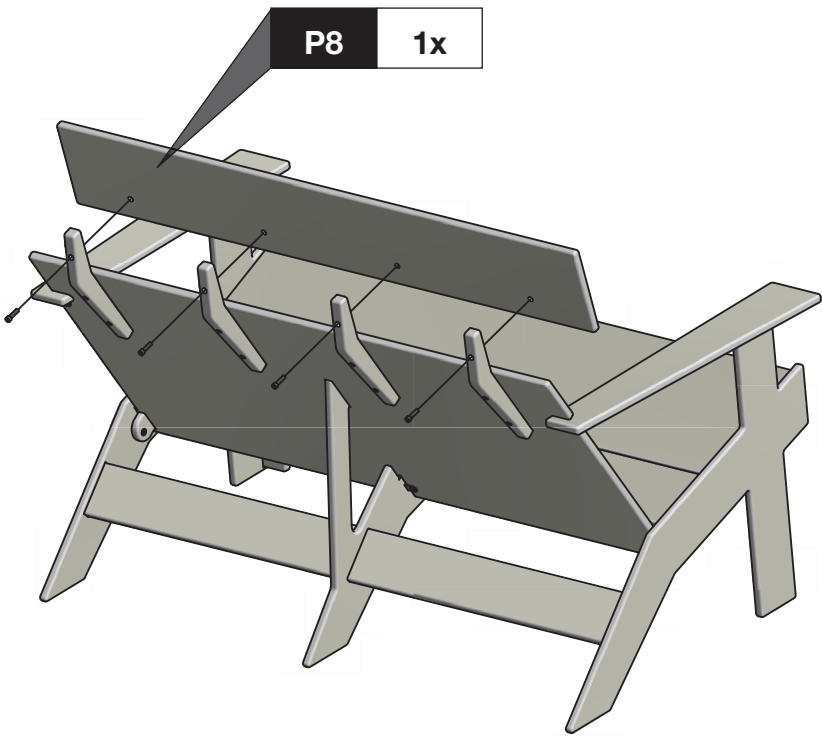
1"  
8x

**\*Caution:** Tighten bolts until parts are drawn tight together and stop. Do not overtighten bolts.  
**\*\* Please use included 3/16" Allen Wrench for step 13.**



14

P8 1x



1"  
4x

**\*Caution:** Tighten bolts until parts are drawn tight together and stop. Do not overtighten bolts.  
**\*\* Please use included 3/16" Allen Wrench for step 14.**

