



**black:** SC-HT65-BL

**cloud:** SC-HT65-CW

**black:** SC-HT65-BL

**cloud:** SC-HT65-CW

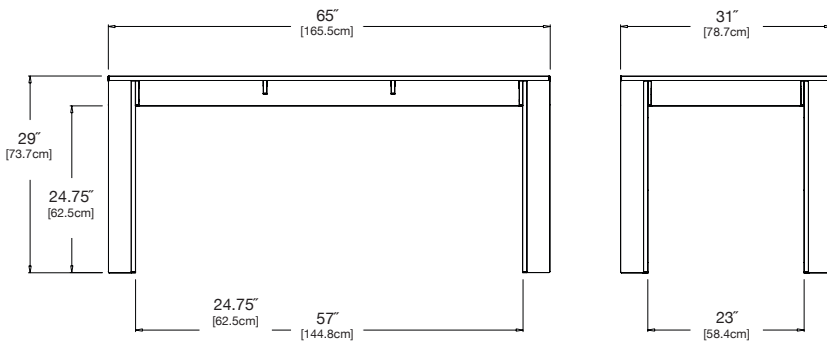


**leaf:** SC-HT65-LG

**apple red:** SC-HT65-AR

\*2" umbrella hole optional

**charcoal:** SC-HT65-CG



**driftwood:** SC-HT65-DW

**navy blue:** SC-HT65-NB

**collection:** salmela

**material:** HDPE & richlite

**dimensions:** width: 65" (165.1cm)  
depth: 31" (78.7cm)  
height: 29" (73.7cm)

**weight:** 88 lbs (39.9kg)

**pairs well with hall bench.**



**shipping dimensions:** pallet  
**shipping weight:** 88 lbs (39.9kg)



shipped flat packed  
some assembly required



**sky:** SC-HT65-SB

**sunset:** SC-HT65-OR