



charcoal: RR-CC-CG



black: RR-CC-BL



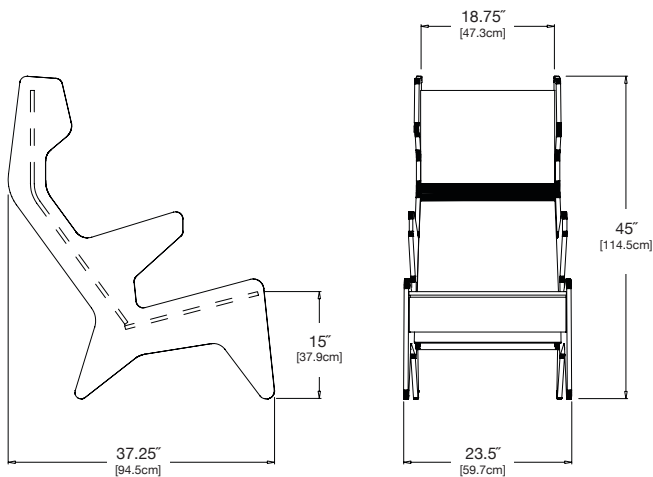
cloud: RR-CC-CW



leaf: RR-CC-LG



apple red: RR-CC-AR



driftwood: RR-CC-DW



navy blue: RR-CC-NB



sky: RR-CC-SB



sunset: RR-CC-OR

collection: ralph rapson

material: HDPE

dimensions: width: 23.5" (59.7cm)
depth: 37.25" (94.5cm)
height: 45" (114.5cm)

weight: 44 lbs (20.0kg)

pairs well with raspon bar cart.



shipping dimensions: 30" x 6" x 57"
shipping weight: 64 lbs (29.0kg)



shipped flat packed
some assembly required