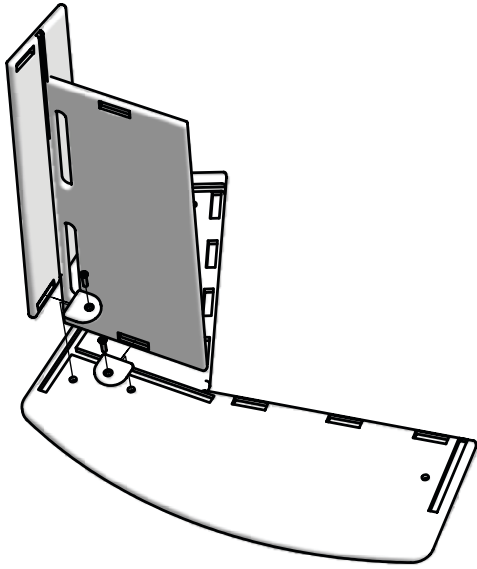


# ASSEMBLY INSTRUCTIONS

\* It is very important that you finger tighten all bolts into inserts to ensure that you do not cross-thread bolts and inserts before tightening. It will also be easier if you wait to tighten bolts until you have all bolts installed and the piece completely assembled. This will allow for more movement of individual pieces and help in aligning holes with inserts. Use the Allen Tool provided to finish tighten bolt until snug.

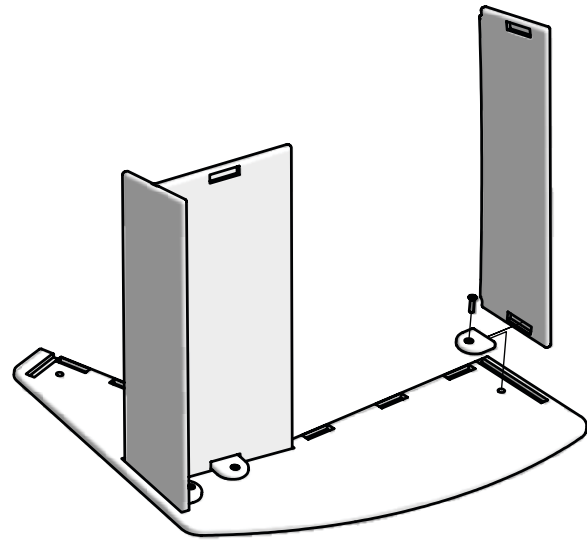
## 1 ATTACH LOWER SHELF & BACK PLATE



\*Please read Assembly Tips before beginning assembly.

Fit edge of Lower Shelf that has holes through it into the groove track cut out of the Back Plate, and fit both pieces into the groove track cut outs of the Left Side. Place G Blocks into the Lower Shelf and Back Plates pocket cut outs, insert bolts through the blocks into the Left Sides threaded holes, and finger tighten

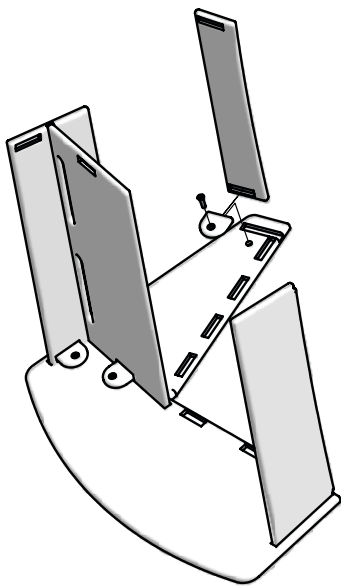
## 2 ATTACH FACE PLATE



Fit Face Plate short edge into the Left Side's pocket cut out. Place G Block into the Face Plate's pocket cut out, insert a bolt through the block into the Left Side's threaded hole, and finger tighten.

Repeat steps 1 & 2 to attach Right Side.

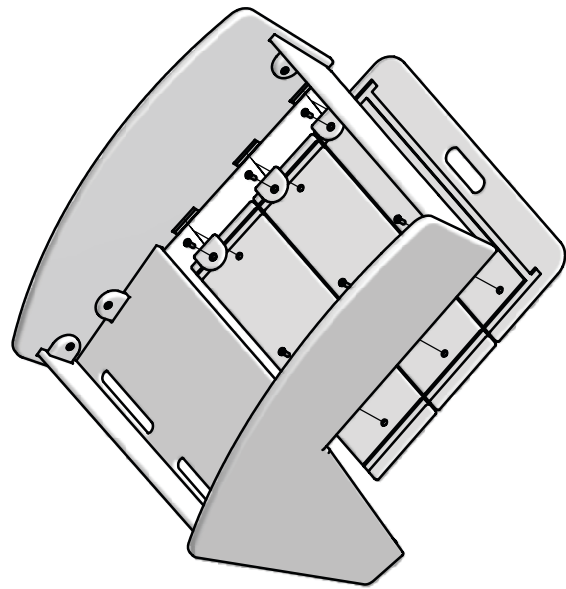
## 3 ATTACH TOP BRACE



Fit Top Brace edge into Left Side's pocket cut out. Place G Blocks into the Top Brace's pocket cut out, insert a bolt through the block into the Left Side's threaded holes, and finger tighten.

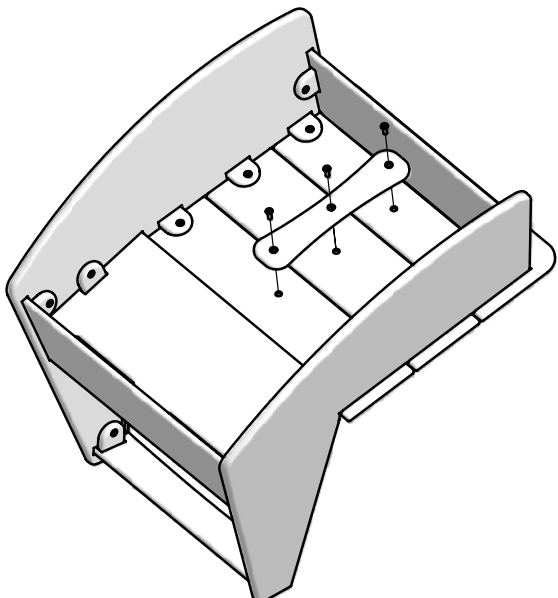
\*Repeat steps 1-3 to attach Right Side.

## 4 ATTACH SEAT SET



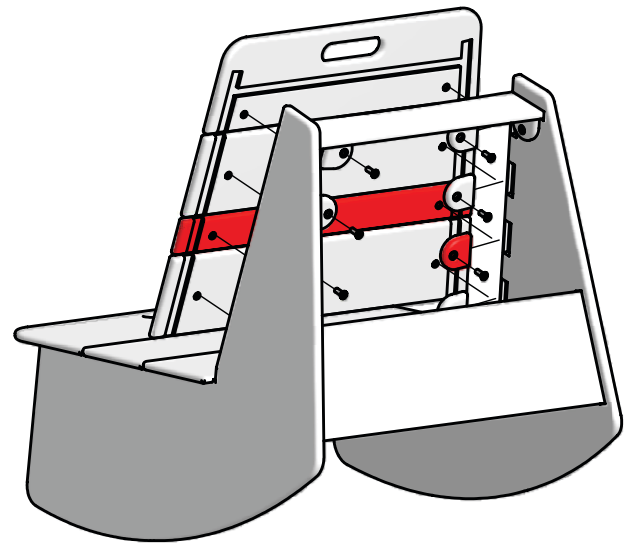
Layout the Seat Set so that the groove track cut outs line up. Place Seat Set individually over assembled chair sides (start with A then B and C) by fitting the groove track cut outs with the Sides and Front Plate. Place G Blocks into the Sides pocket cut outs, insert bolts through the blocks into the Seat Sets threaded holes, and finger tighten.

## 5 ATTACH SEAT BRACE



Align Seat Brace holes with the holes of the Seat Set, then insert bolts through the Seat Brace into the Seat Set's threaded holes and finger tighten.

## 6 ATTACH BACK SET



Layout the Back Set so that the groove track cut outs line up. Place Back Set individually over assembled chair sides (start with A then B, C, D) by fitting the groove track cut outs with the Sides and Front Plate. Place G Blocks into the Sides pocket cut outs, insert bolts through the blocks into the Back Sets threaded holes, and finger tighten.

\*Note: Use same color G Block as Racing Stripe color.

\*\*Using provided wrench securely tighten all bolts.



**SHARE YOUR LOLL**



Loll Designs strives to build long-term relationships based on confidence and trust with our customers. We sit beside, on top, and beneath the quality of our fine furniture and will make things right if you are not completely satisfied with your purchase. Loll Designs hereby guarantees that the piece will be of good quality and workmanship, free from faults and defects. Loll warrants that all components will not fail, under normal use, for five years from the year mark on the piece or the date of purchase. For commercial orders the warranty is three years.

**5 YR WARRANTY**

Your new Loll furniture is a no maintenance product. You'll never need to paint or stain it and it can be left outside all year regardless of the season. It will not rot, even if left standing in water. Nonetheless, we're pretty sure your Loll furniture will get a lot of use and will at some point need cleaning. We recommend a garden hose and incorporating a soft bristle brush. Adding a tablespoon or two of your favorite eco-friendly soap to the wash will get everything squeaky clean. Mineral deposits left over from hard water can be removed with a solution of vinegar and water. Loll offers a cleaning kit that has everything you need for great results. Also see our cleaning video at lollidesigns.com/videos.

**PRODUCT CARE**

Loll Designs inspires people to appreciate the outdoors.

**ASSEMBLY INSTRUCTIONS & PRODUCT INFO: RACER ROCKER CHAIR**

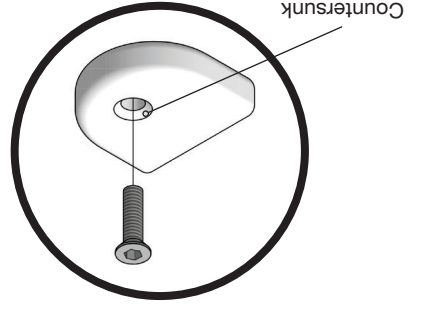
**LOLL TOOL**

Locate the box marked "Tool Included"

before beginning assembly.

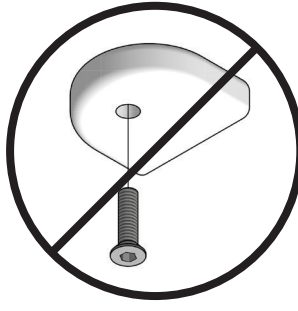


**CORRECT**



Countersunk Hole

**INCORRECT**



Insert bolts through countersunk hole side of blocks as shown below.

**BLOCK & BOLT INSTALLATION**

*wrap we use is compostable.*  
**\*\* Please Recycle the BOX and paper packaging. The green plastic stretch**

can also be purchased from Loll for multi piece assembly jobs.  
 Sales Associate or Customer Service for support at 877.740.3387. **A Pro Tool Kit!**  
 information and visual aids. If you have more questions please contact your Loll  
 hand. Watch the assembly videos at www.lollidesigns.com/videos for even more  
 you can't muscle the bolt any tighter; it's virtually impossible to over tighten by  
 Key, or the Loll Tool and tighten firmly until parts are drawn tight together and  
 still allowing removal and reuse of the bolt. Start all bolts by hand, with the Allen  
 standard with a thread coating to reduce bolts loosening after assembly while  
 in inserts as you can easily overtighten and damage the product. All bolts come  
 recommend using an electric drill with a cord and without a clutch to install bolts  
 on the block or it can be removed. Use a Cordless Screw Gun if you have one  
 and know how to use it. Set the clutch setting at medium torque. We do not  
 protective film on it. This surface is hidden after assembly so the film can remain  
 If your piece of furniture requires "Blocks" for assembly one side may have  
 it seems parts aren't fitting together you likely have something wrong and you  
 should read the instructions to ensure you are aligning the proper components.  
 was shipped in. Components should not be unnecessarily forced together! If  
 soft surface like a blanket, carpet, or the flattened cardboard box the furniture  
 To avoid damaging furniture perform the assembly of your Loll furniture on a clean  
**\*Please read before beginning assembly!**

**ASSEMBLY TIPS**

Sometimes accidents occur. Please inspect your Loll furniture when you receive it to make sure that  
 it has not been damaged during shipping. If damage has occurred please take digital pictures of the  
 damaged furniture and the box it was shipped in, and email them to sales@lollidesigns.com or call  
 Customer Service using our toll free number: 877.740.3387, ext. 1. The damage will be assessed and  
 you will be contacted with a solution to the problem. It may be helpful to save all of your packaging  
 material in case a return is necessary.

Scan for assembly tips and videos



**INCLUDED PARTS**

<b>LEFT SIDE</b>	<b>COUNT</b> <b>1</b>	<b>RIGHT SIDE</b>	<b>COUNT</b> <b>1</b>	<b>SEAT SET</b>	<b>COUNT</b> <b>1</b>
<b>BACK SET</b>	<b>COUNT</b> <b>1</b>	<b>TOP BRACE</b>	<b>COUNT</b> <b>1</b>	<b>BACK PLATE</b>	<b>COUNT</b> <b>1</b>
<b>FACE PLATE</b>	<b>COUNT</b> <b>1</b>	<b>G BLOCK</b>	<b>COUNT</b> <b>22</b>	<b>SEAT BRACE</b>	<b>COUNT</b> <b>1</b>
			<p>*Note: 2 Blocks will be same color as Racing Stripe (see Step 6)</p>		
				<b>7/8" BOLT (YELLOW)</b>	<b>COUNT</b> <b>25</b>