



charcoal: RC-RR-CG



black: RC-RR-BL



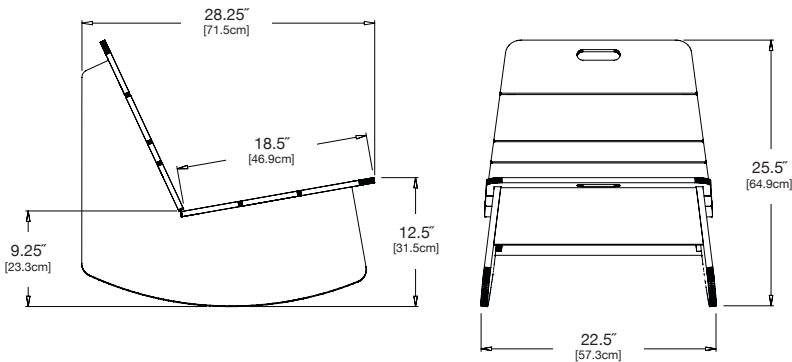
cloud: RC-RR-CW



leaf: RC-RR-LG



apple red: RC-RR-AR



driftwood: RC-RR-DW



navy blue: RC-RR-NB



sky: RC-RR-SB

collection: racer

material: HDPE

dimensions: width: 22.5" (57.3cm)
depth: 28.25" (71.5cm)
height: 25.5" (64.9cm)

weight: 36 lbs (16.3kg)

pairs well with racer side car.



shipped flat packed
some assembly required

shipping dimensions: 30" x 5" x 24"
shipping weight: 42 lbs (19.1kg)