

pepin right arm sofa

LL-PPN-SFARTA-(FABRIC CODE)-(COLOR CODE)



dimensions:

width: 76.25" (193.7cm)
depth: 39.28" (99.8cm)
height: 31.85" (80.9cm)

seat dimensions:

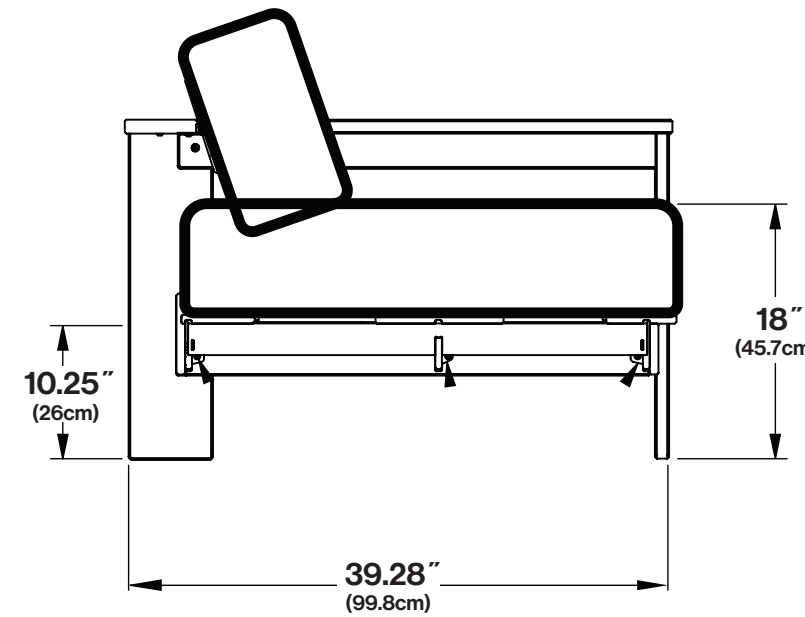
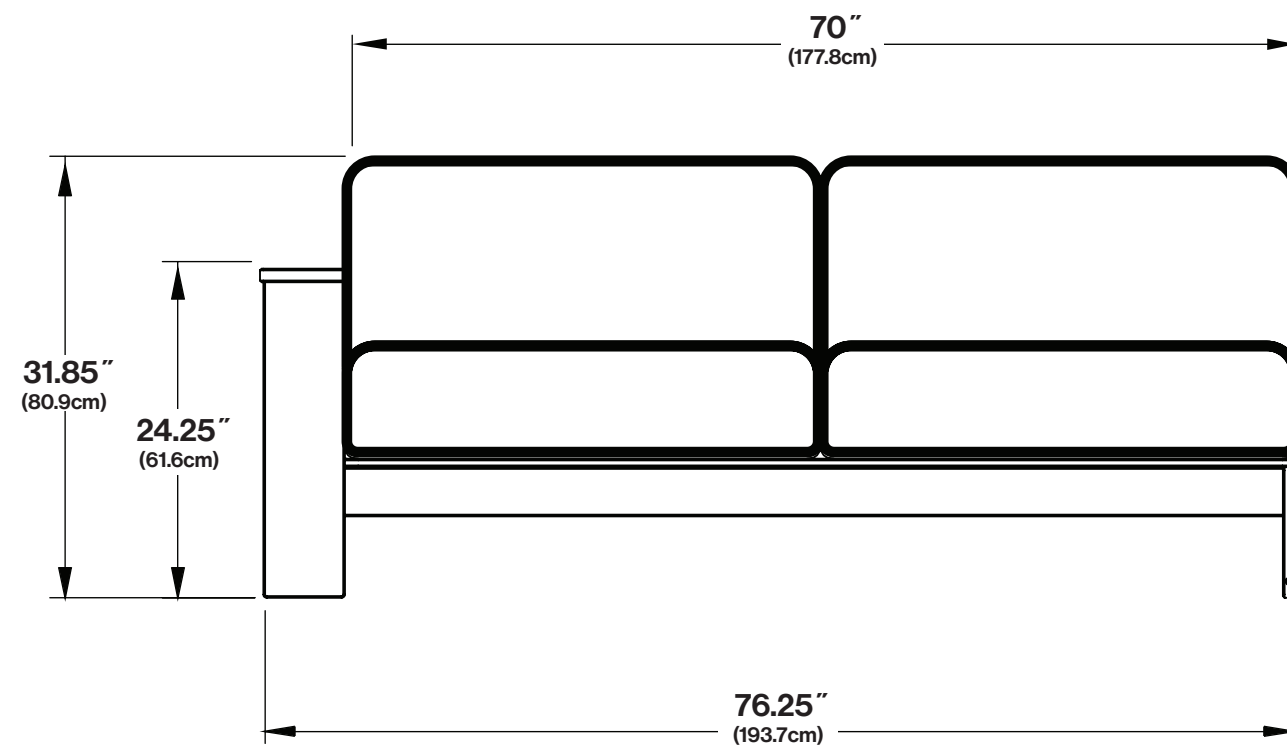
seat width: 70" (177.8cm)
seat height: 18" (45.7cm)
arm height: 24.25" (61.6cm)

weight:

165 lbs (74.8kg)

materials:

HDPE & Sunbrella



shipping method:

oversized

assembly type:

fully assembled

shipping dimensions:

pallet



fabric colors:

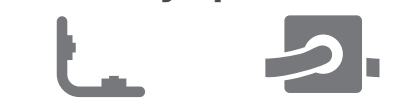
- 40483 ● CAST CHARCOAL
- 5492 ● CANVAS FLAX
- 57012 ● CANVAS CLOUD
- 5439 ● CANVAS NAVY (NEW)
- 14059 ● CANVAS HAZE (NEW)

hdpe colors:

- SG ● SAGE
- NB ● NAVY BLUE
- CW ○ CLOUD WHITE
- FG ● FOG
- AB ● ASH BLUE
- CG ● CHARCOAL GRAY

Get comfortable with the Pepin Collection. Designed with a taller seat height to easily get in and out of the oversized deep seats and plush moisture-repellant Sunbrella cushions for both comfort and durability. This modular seating option works well both indoors and out and comes with marine grade snaps to secure cushions in place and hook and loop attachments to lock in your seating configuration.

security option:



L BRACKET CABLE MOUNT

use with:

pepin corner

shown above: LL-PPN-SFARTA-57012-CG

3D MODELS/SPECS
WARANTY/SECURITY

