

## INCLUDED PARTS



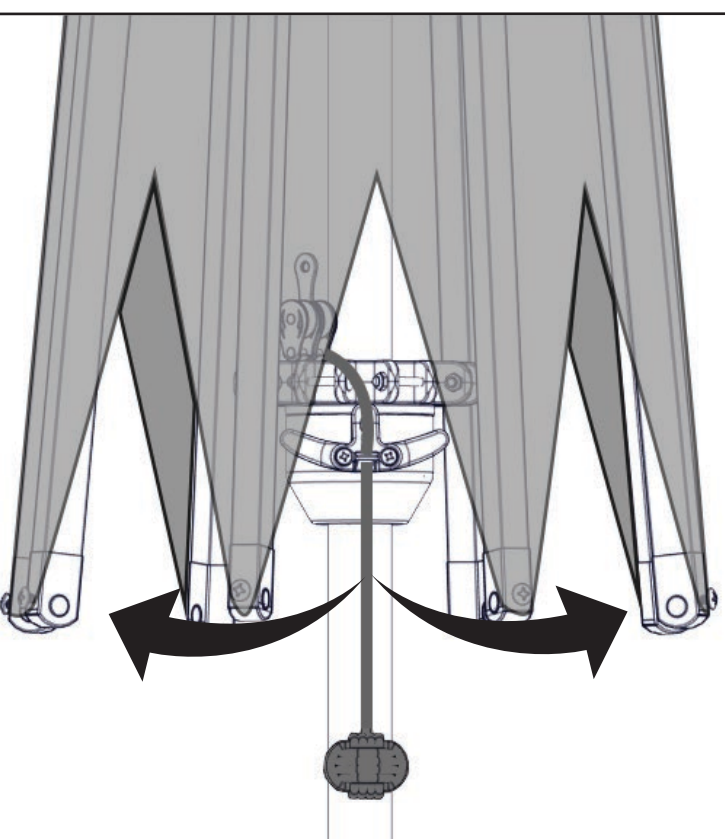
**1** Remove all packaging from in & around the umbrella.

**2**



Insert & secure Loll Umbrella into appropriate base.

**3**



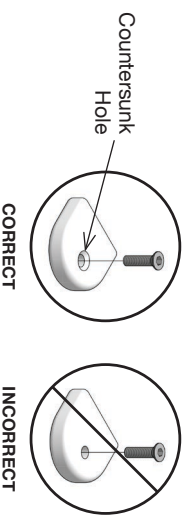
Gently separate each rib individually from the center hub approximately 10". If rib does not move easily, do not force. Inspect product for additional packaging.

## ASSEMBLY TIPS: 5 Important Points You **NEED** to Read

1. Prior to beginning assembly, please inspect and inventory the parts to make sure you have everything and that nothing was damaged during shipping. If damage has occurred, please take photos and go to [loll designs.com/damage](http://loll designs.com/damage). Rest assured we'll get it taken care of straight away!
2. To avoid scratching furniture, assemble on a clean, soft surface like a blanket, carpet, or the flattened cardboard box the furniture was shipped in.
3. **Start all bolts by hand to ensure proper alignment and to prevent cross threading.** Then using the provided tool, tighten until you feel resistance. Do not overtighten.
4. Bolts should not be forced, but some components, particularly blocks, fit snug but can still be installed without tools or excess force.
5. If parts are still not going together, please send us a photo of the part you are having trouble with.

## BLOCK & BOLT INSTALLATION

Insert bolts through countersunk hole side of blocks as shown below.



*"Loll Designs inspires people to appreciate the outdoors."*

Greg Benson - Founder

## ♻️ RECYCLE THE PACKAGING

We've gone through great lengths to make as much of our packaging as possible recyclable. The cardboard box, paper wrap, filler and paper bags can all go in your recycling bin. The muslin hardware bags replaced plastic bags with the intention of reducing plastic and encouraging reuse. Loll Designs and Planet Earth thank you!

## WE WANT YOU TO LOVE YOUR LOLL

For more info and visual aids, watch the assembly videos at [www.lolldesigns.com/videos](http://www.lolldesigns.com/videos). For product care & maintenance, visit [www.lolldesigns.com/care-maintenance](http://www.lolldesigns.com/care-maintenance). For further lollygagging assistance, please reach out!

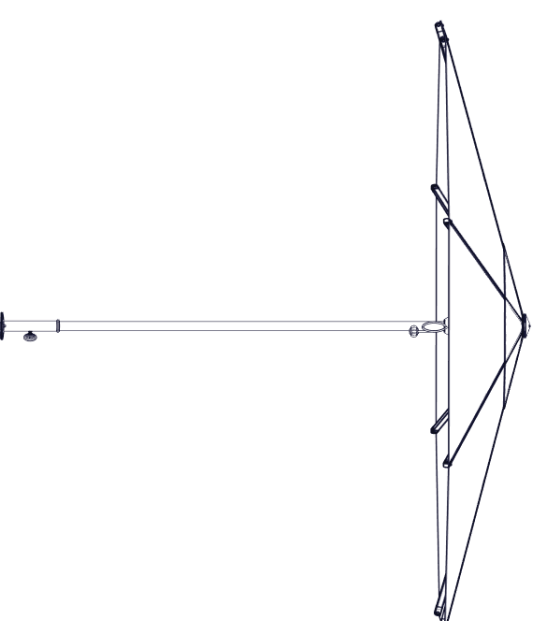
+1 877-740-3387

[sales@lolldesigns.com](mailto:sales@lolldesigns.com)

5912 Waseca Street  
Duluth, Minnesota 55807

## ASSEMBLY INSTRUCTIONS & PRODUCT INFO:

## LOLL UMBRELLA



MADE IN THE USA



ORIGINAL Member

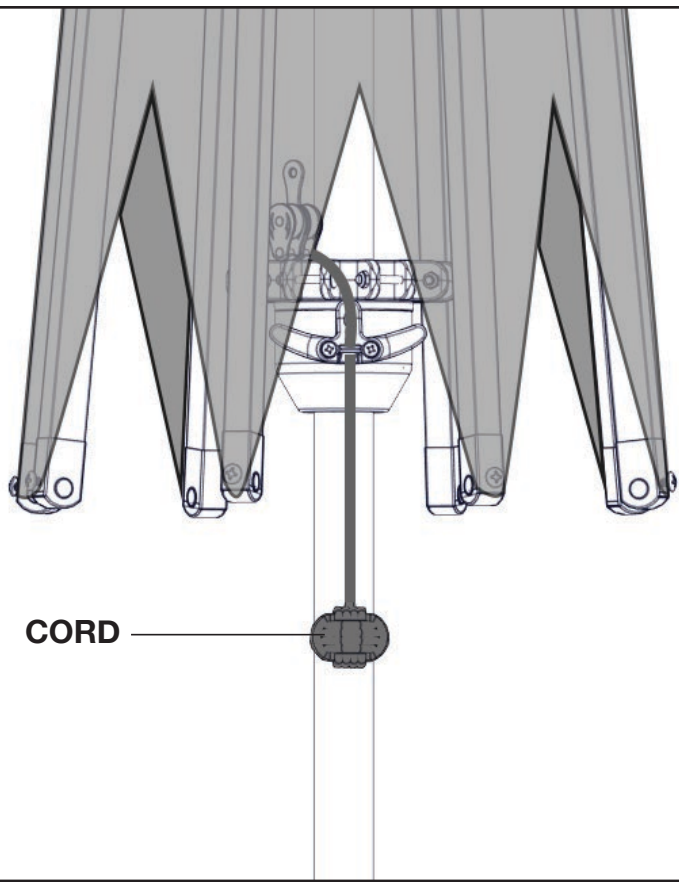
1% FOR THE PLANET MEMBER #610



it's good to be recycled

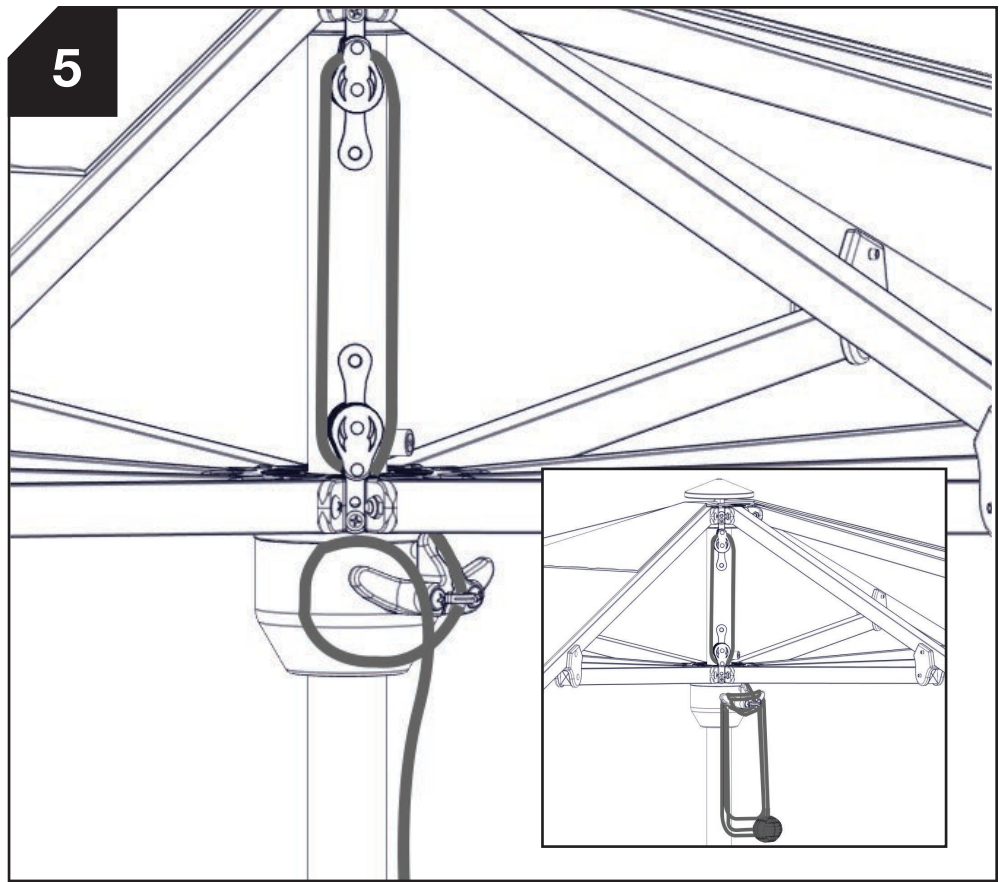
LOLL DESIGNS

4



Gently pull cord to move main hub up into the open position.

5



Loop a knot around the cam lock cleat to lock the canopy in open position. Once looped and tight, hang excess cord by coiling around the hook.

**IMPORTANT:** Canopy must be locked in place to prevent from closing unexpectedly.

Close the Loll Umbrella when winds exceed manufacturer's specifications of 25 MPH.