



NISSWA SWING

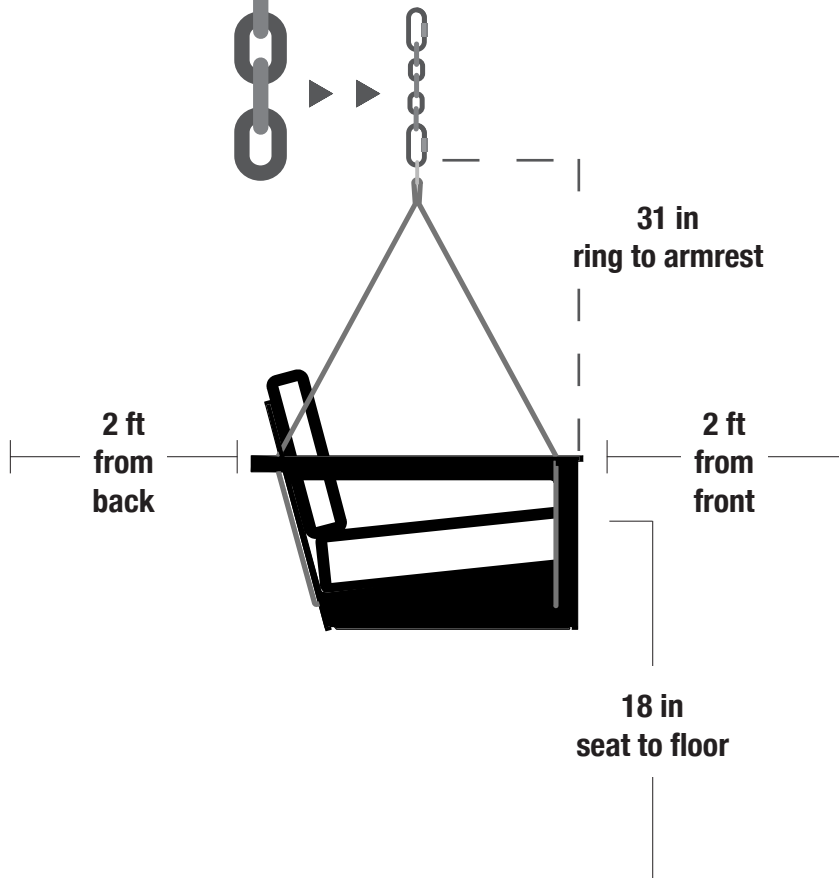
SWING HANGING SUGGESTIONS

loll designs.com | 1-877-740-3387

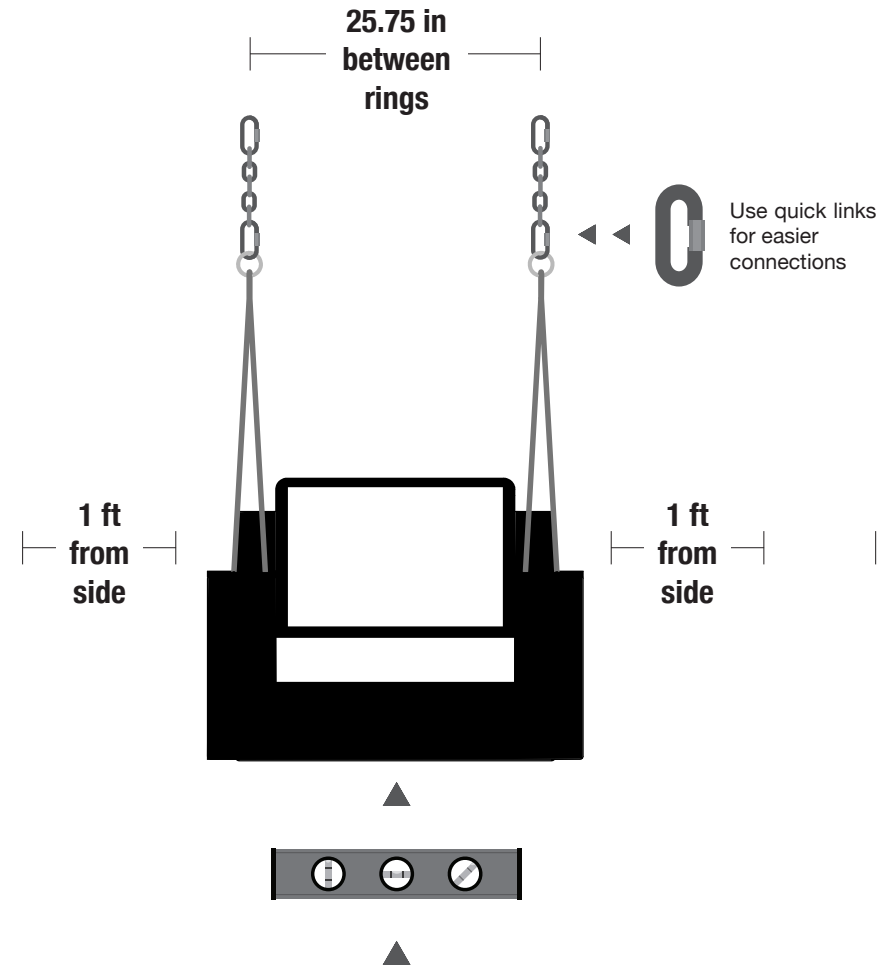
It is the responsibility of the end user to mount their swing securely.



As the total ceiling height will vary from space to space, we recommend purchasing chain links from your local hardware store so you can customize a length suitable to your area.



In general, we recommend approximately a 2-ft minimum clearance in the back and front, and a foot on either side. As far as the seat height, we recommend it to be approximately 18" from the ground, but that can be a general approximation, due to each specific user.



Check that the swing hangs level. Use a level on the swing seat for best measurement.