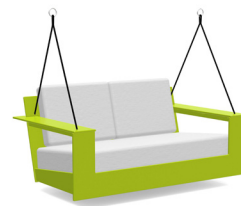


black:
NC-PS-(cushion code)-BL



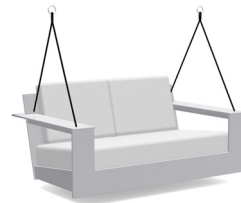
cloud:
NC-PS-(cushion code)-CW



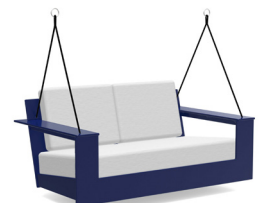
leaf:
NC-PS-(cushion code)-LG



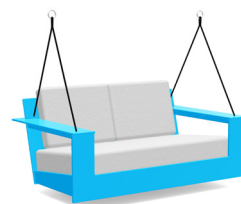
apple red:
NC-PS-(cushion code)-AR



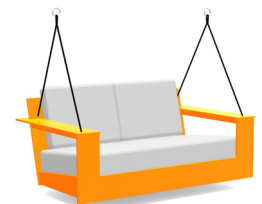
driftwood:
NC-PS-(cushion code)-DW



navy blue:
NC-PS-(cushion code)-NB



sky:
NC-PS-(cushion code)-SB



sunset:
NC-PS-(cushion code)-OR

cushion codes:

charcoal: NC-PS-(cushion code)-CG



regatta: 5493



silver: 40433



flax: 5492



charcoal: 40483



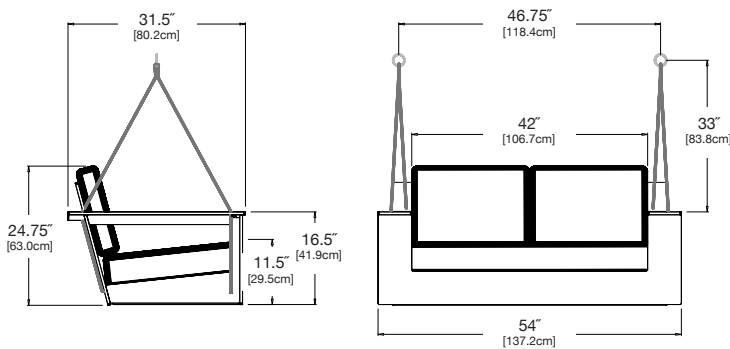
navy: 5493



petal: 40431



fern: 5487



collection: nisswa

material: HDPE

dimensions: width: 46.75" (118.4cm)
depth: 31.5" (80.2cm)
height: 24.75" (71.4cm)

weight: 77 lbs (34.9kg)

shipping dimensions: pallet

also available as lounge swing.



ships oversized
fully assembled