



charcoal: NC-L-(cushion code)-CG



black:
NC-L-(cushion code)-BL



cloud:
NC-L-(cushion code)-CW



leaf:
NC-L-(cushion code)-LG



apple red:
NC-L-(cushion code)-AR



driftwood:
NC-L-(cushion code)-DW



navy blue:
NC-L-(cushion code)-NB

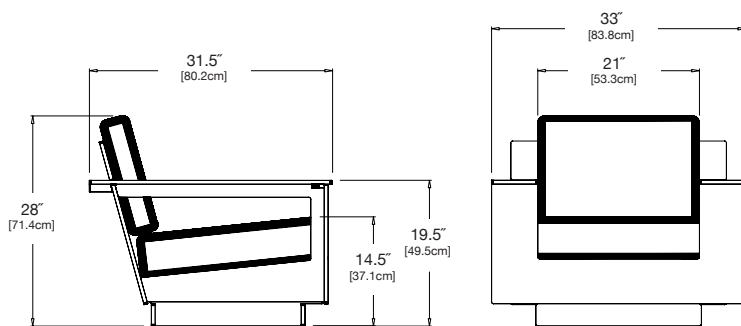


sky:
NC-L-(cushion code)-SB



sunset:
NC-L-(cushion code)-OR

cushion codes:



collection: nisswa

material: HDPE

dimensions: width: 33" (83.8cm)
depth: 31.5" (80.2cm)
height: 28" (71.4cm)

weight: 53 lbs (24.1kg)

pairs well with nisswa sofa.



shipping dimensions: pallet



ships oversized
fully assembled