

**charcoal:**  
NC-S-(cushion code)-CG



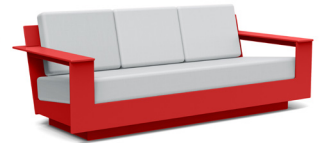
**black:**  
NC-S-(cushion code)-BL



**cloud:**  
NC-S-(cushion code)-CW



**leaf:**  
NC-S-(cushion code)-LG



**apple red:**  
NC-S-(cushion code)-AR

**cushion codes:**



**regatta:** 5493



**silver:** 40433



**flax:** 5492



**petal:** 40431



**charcoal:** 40483



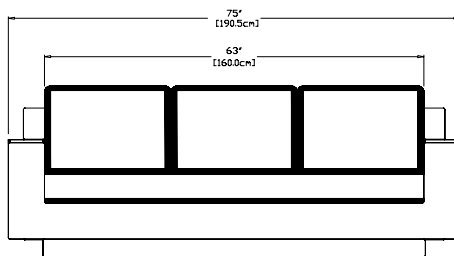
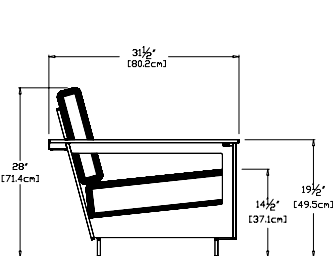
**navy:** 5493



**driftwood:**  
NC-S-(cushion code)-DW



**navy blue:**  
NC-S-(cushion code)-NB



**collection:** nisswa

**material:** High Density Poly Ethylene (HDPE) and Sunbrella Fabric

**dimensions:** width: 75" (190.5cm)  
depth: 31.5" (80.2cm)  
height: 28" (71.4cm)

**weight:** 106 lbs (48.2kg)

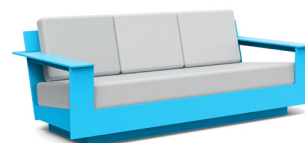
**pairs well with an ottoman.**



**shipping:** Pallet



ships fully assembled



**sky:**  
NC-S-(cushion code)-SB



**sunset:**  
NC-S-(cushion code)-OR



**charcoal:**  
NC-L-(cushion code)-CG



**black:**  
NC-L-(cushion code)-BL



**cloud:**  
NC-L-(cushion code)-CW



**leaf:**  
NC-L-(cushion code)-LG



**apple red:**  
NC-L-(cushion code)-AR



**driftwood:**  
NC-L-(cushion code)-DW



**navy blue:**  
NC-L-(cushion code)-NB



**sky:**  
NC-L-(cushion code)-SB



**sunset:**  
NC-L-(cushion code)-OR

### cushion codes:



**regatta:** 5493



**silver:** 40433



**flax:** 5492



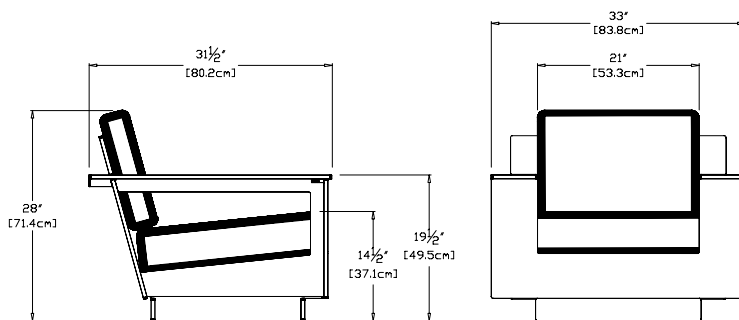
**petal:** 40431



**charcoal:** 40483



**navy:** 5493



**collection:** nisswa

**material:** High Density Poly Ethylene (HDPE) and Sunbrella Fabric

**dimensions:** width: 33" (83.8cm)  
depth: 31.5" (80.2cm)  
height: 28" (71.4cm)

**weight:** 53 lbs (24.1kg)

**pairs well with a sofa.**



**shipping:** Pallet



ships fully assembled