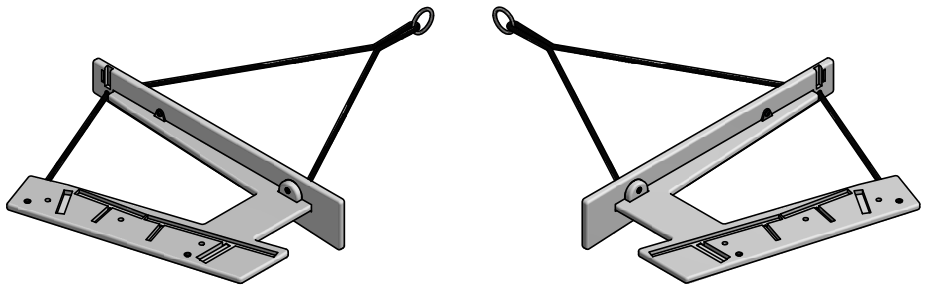
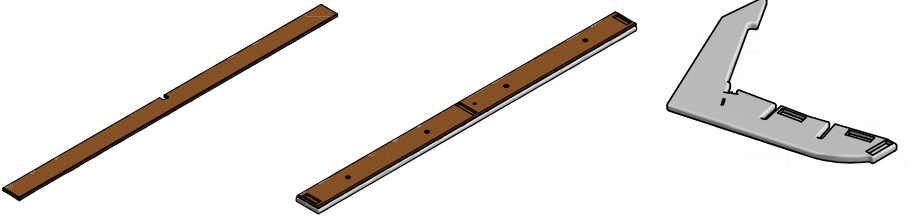


## INCLUDED PARTS



LEFT SIDE  
1x

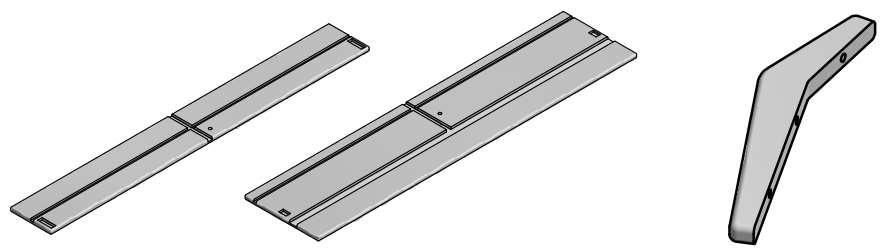
RIGHT SIDE  
1x



L1  
2x

L2  
1x

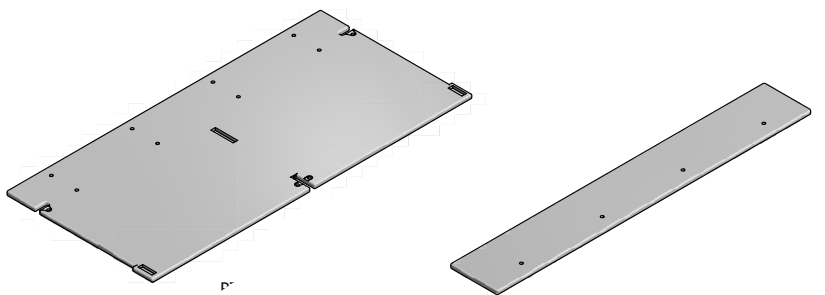
P2  
1x



P3  
1x

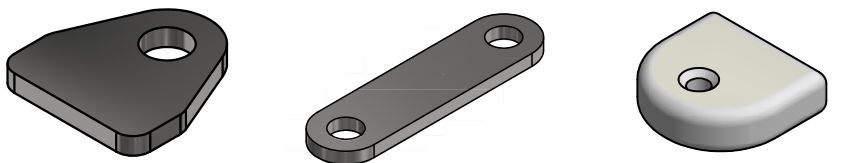
P4  
1x

P9  
4x



P7  
1x

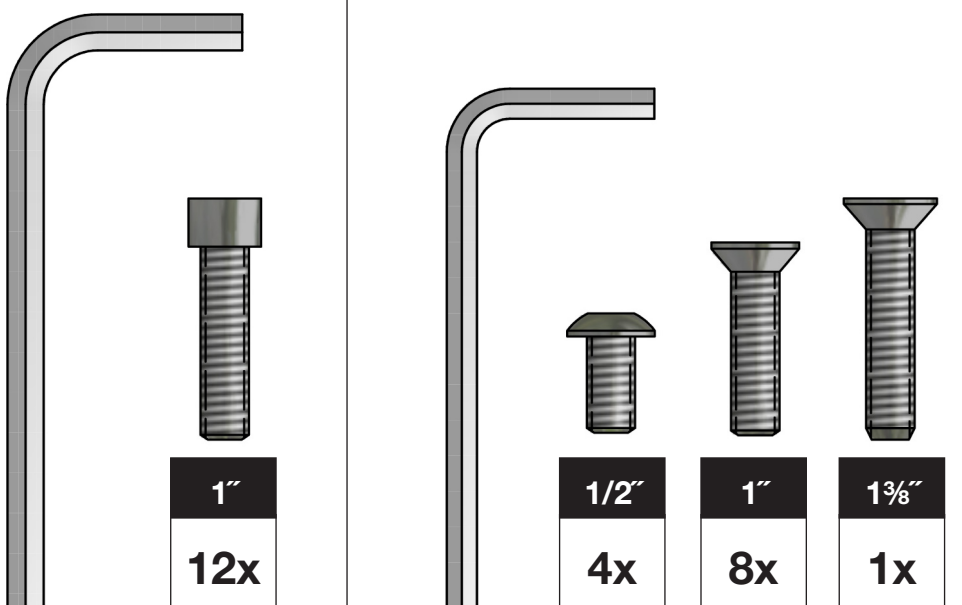
P8  
1x



MB  
2x

DMB  
1x

GB  
9x



1"  
12x

1/2"  
4x

1"  
8x

1 3/8"  
1x

Bolts & Tools shown actual size.

\*\* Please use included 3/16" Allen Wrench for steps 10-11 only.

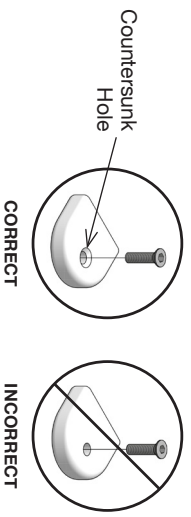
\*\*\* Please double check the bolt size required on each step. Use of wrong bolts will result in damage of product.\*\*\*

## ASSEMBLY TIPS: 5 Important Points You NEED to Read

1. Prior to beginning assembly, please inspect and inventory the parts to make sure you have everything and that nothing was damaged during shipping. If damage has occurred, please take photos and go to [lollidesigns.com/damage](http://lollidesigns.com/damage). Rest assured we'll get it taken care of straight away!
2. To avoid scratching furniture, assemble on a clean, soft surface like a blanket, carpet, or the flattened cardboard box the furniture was shipped in.
3. **Start all bolts by hand to ensure proper alignment and to prevent cross threading.** Then using the provided tool, tighten until you feel resistance. Do not overtighten.
4. Bolts should not be forced, but some components, particularly blocks, fit snug but can still be installed without tools or excess force.
5. If parts are still not going together, please send us a photo of the part you are having trouble with.

## BLOCK & BOLT INSTALLATION

Insert bolts through countersunk hole side of blocks as shown below.



CORRECT

INCORRECT

"Loll Designs inspires people to appreciate the outdoors."  
Greg Benson - Founder

## ♻️ RECYCLE THE PACKAGING

We've gone through great lengths to make as much of our packaging as possible recyclable. The cardboard box, paper wrap, filler and paper bags can all go in your recycling bin. The muslin hardware bags replaced plastic bags with the intention of reducing plastic and encouraging reuse. Loll Designs and Planet Earth thank you!

## WE WANT YOU TO LOVE YOUR LOLL

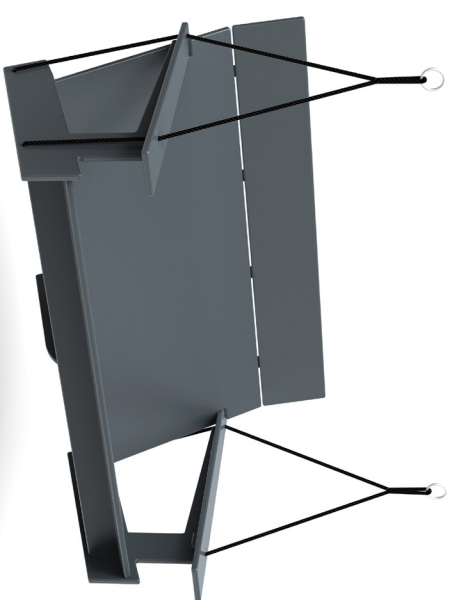
For more info and visual aids, watch the assembly videos at [www.lollidesigns.com/videos](http://www.lollidesigns.com/videos). For product care & maintenance, visit [www.lollidesigns.com/care-maintenance](http://www.lollidesigns.com/care-maintenance). For further lollygagging assistance, please reach out!

+1 877-740-3387  
[sales@lollidesigns.com](mailto:sales@lollidesigns.com)

5912 Waseca Street  
Duluth, Minnesota 55807

## ASSEMBLY INSTRUCTIONS & PRODUCT INFO:

## LOLLYGAGGER PORCH SWING



LOLL  
DESIGNS

MADE IN THE USA



1

P7 1x

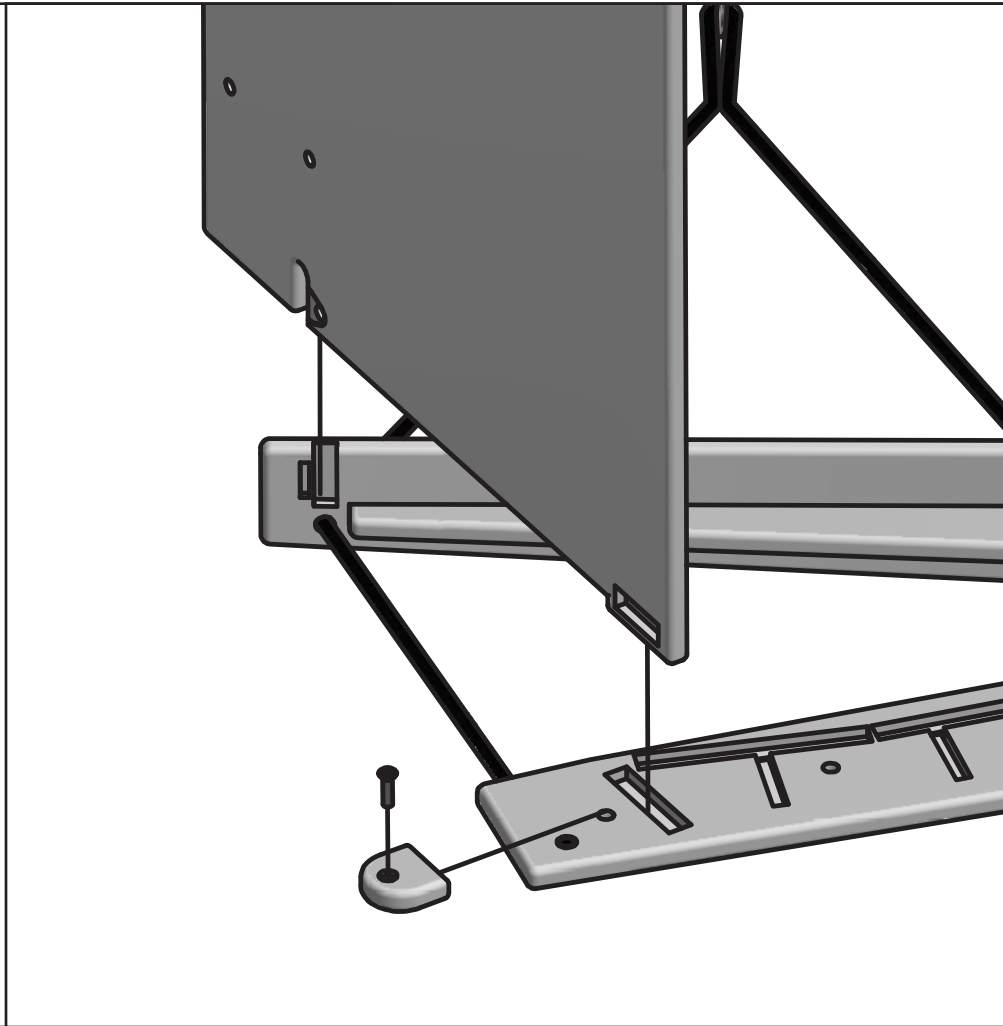
GB 1x



1"

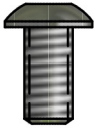
1x

LEFT SIDE 1x



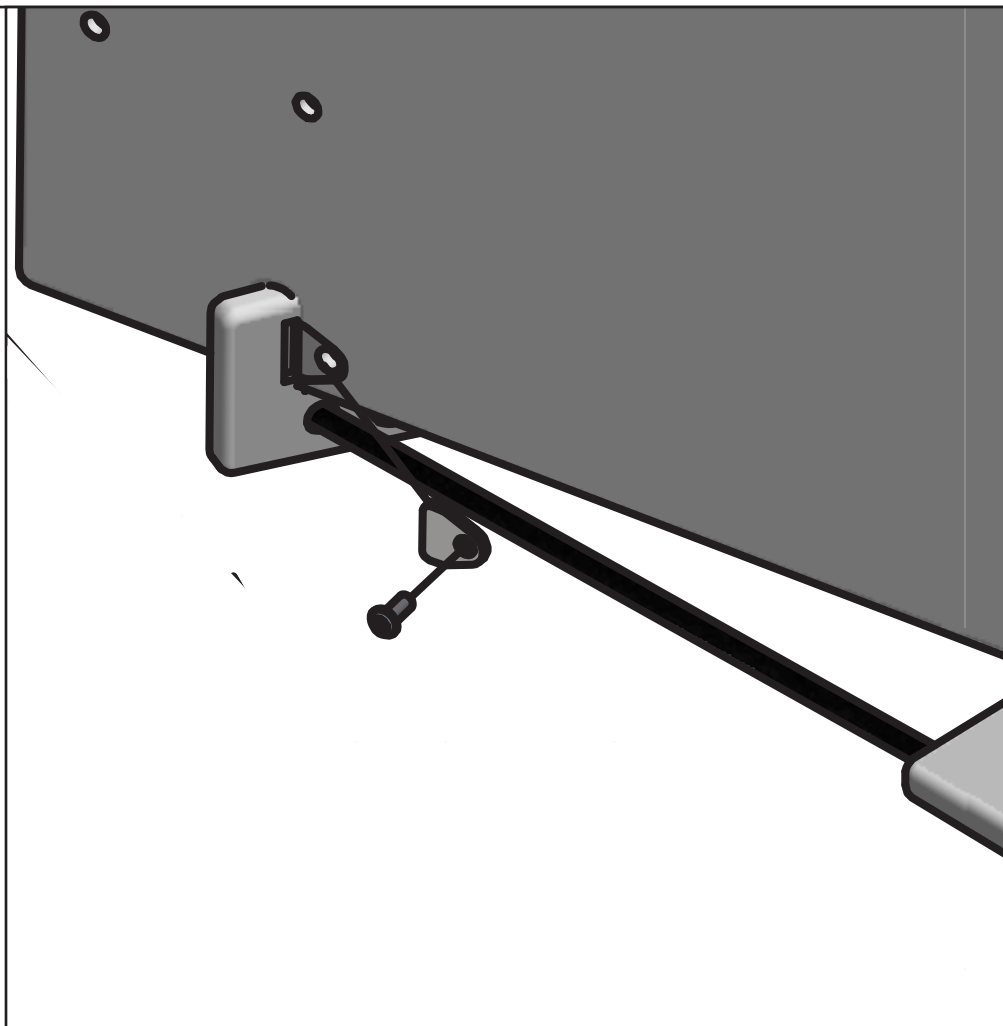
2

MB 1x



1/2"

1x



3

P4 1x

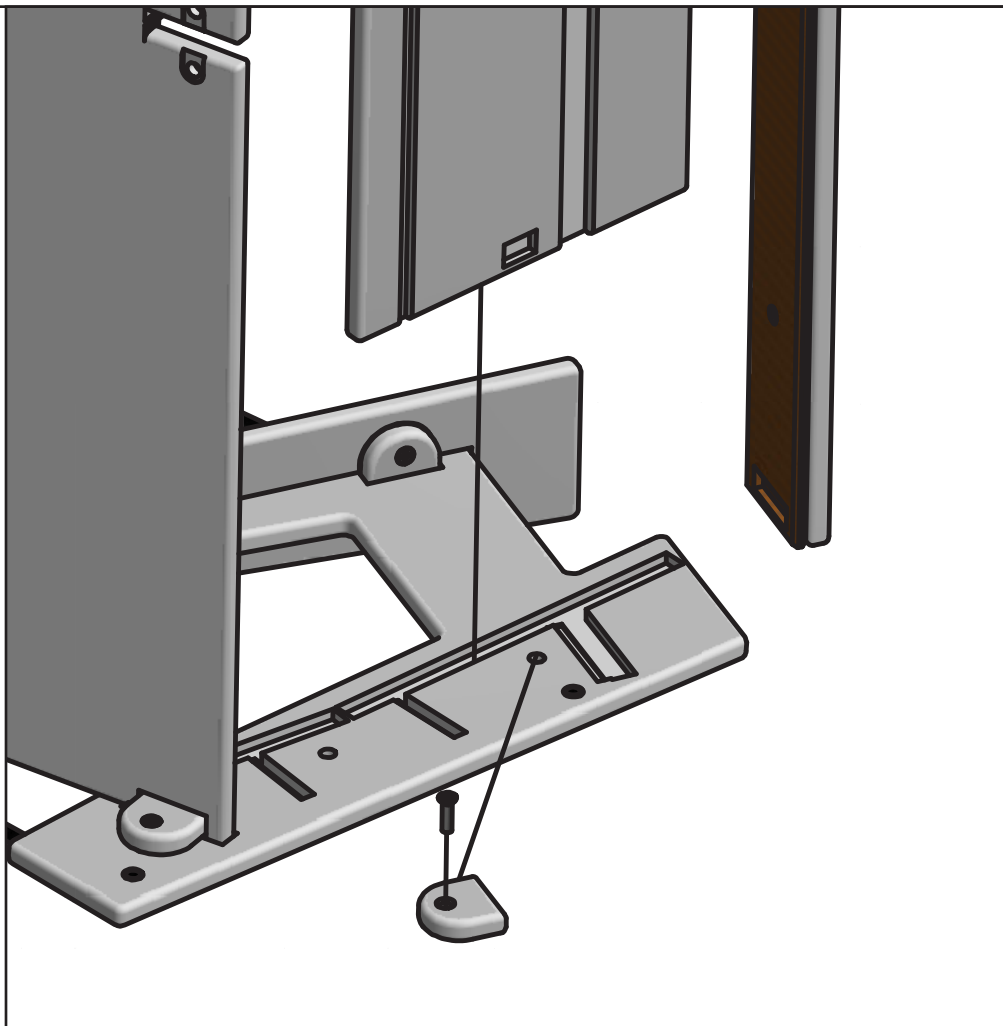
L2 1x

GB 1x



1"

1x



4

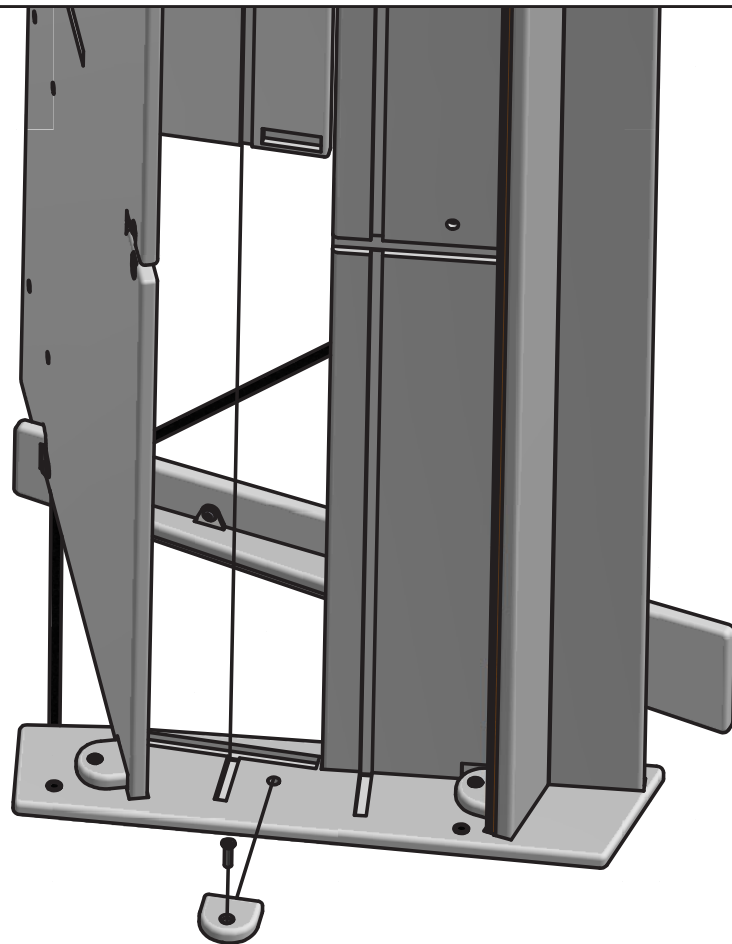
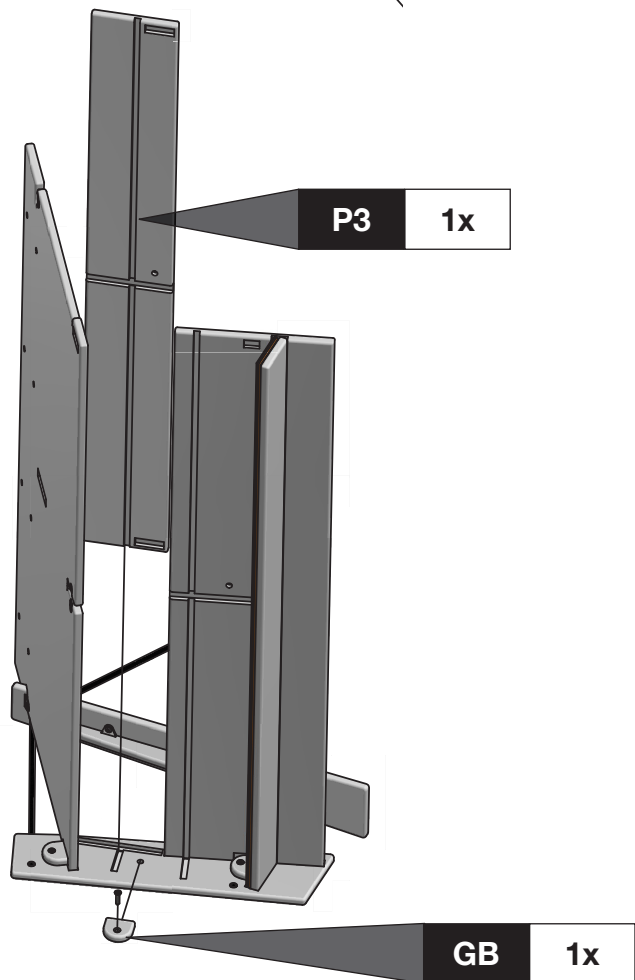
P3 1x



1"

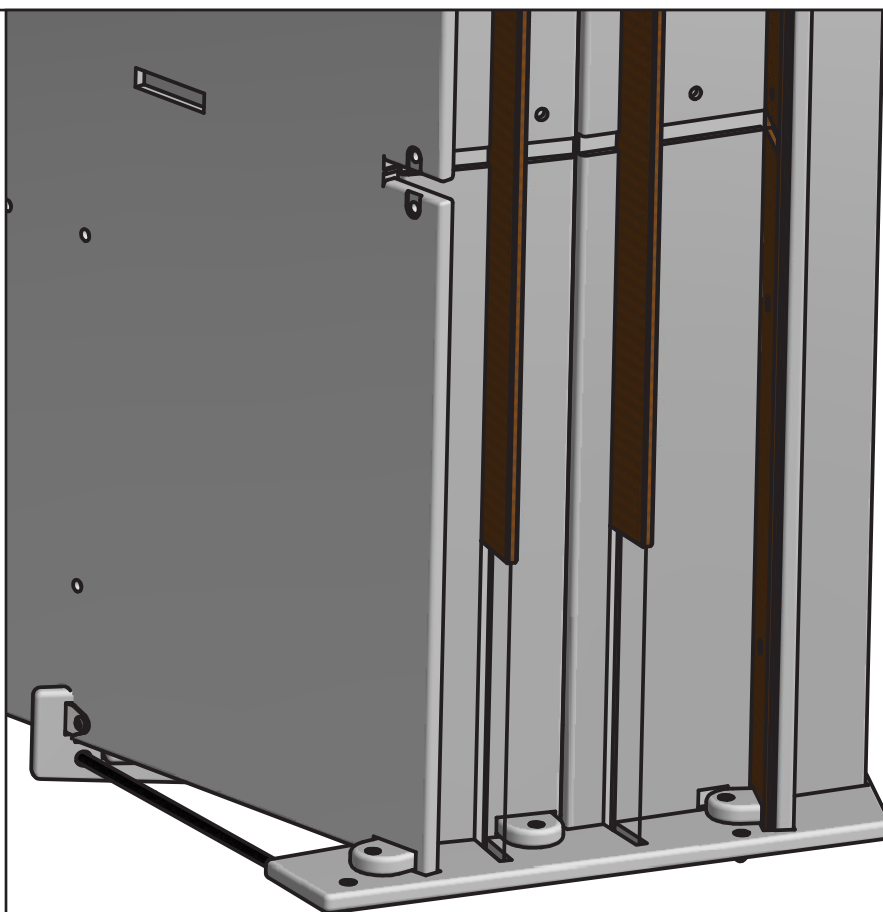
1x

GB 1x



5

L1 2x



6

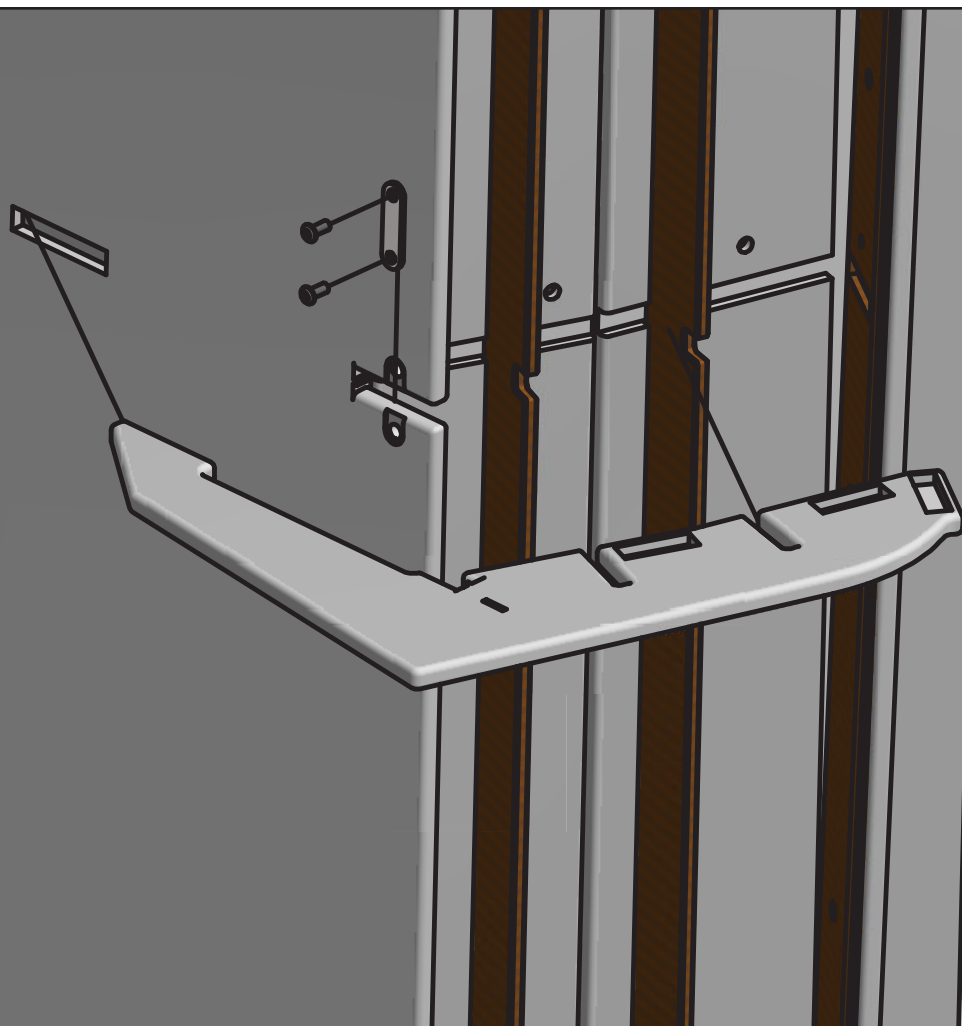
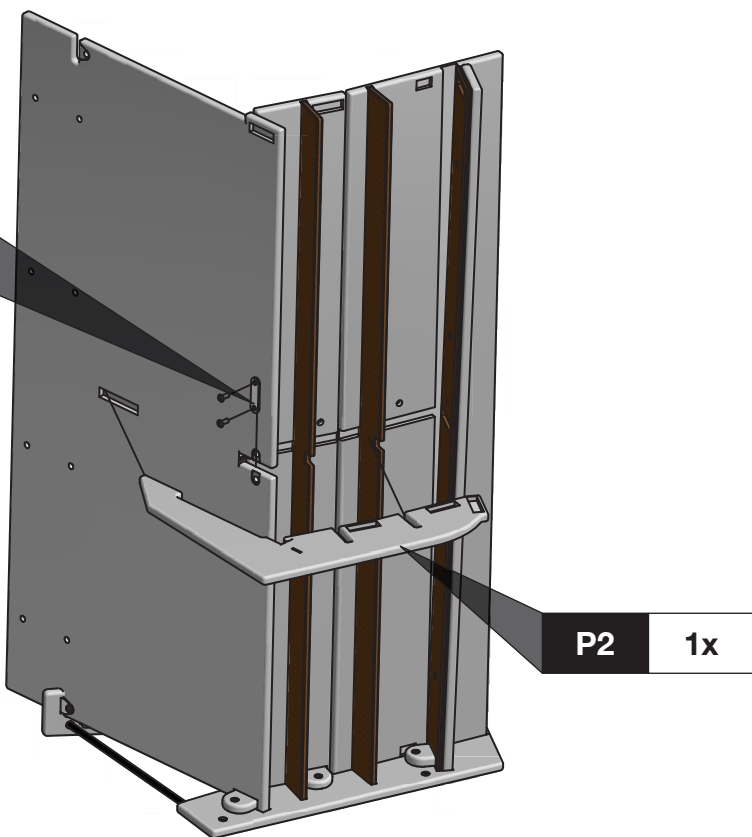
DMB 1x



1/2"

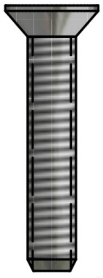
2x

P2 1x



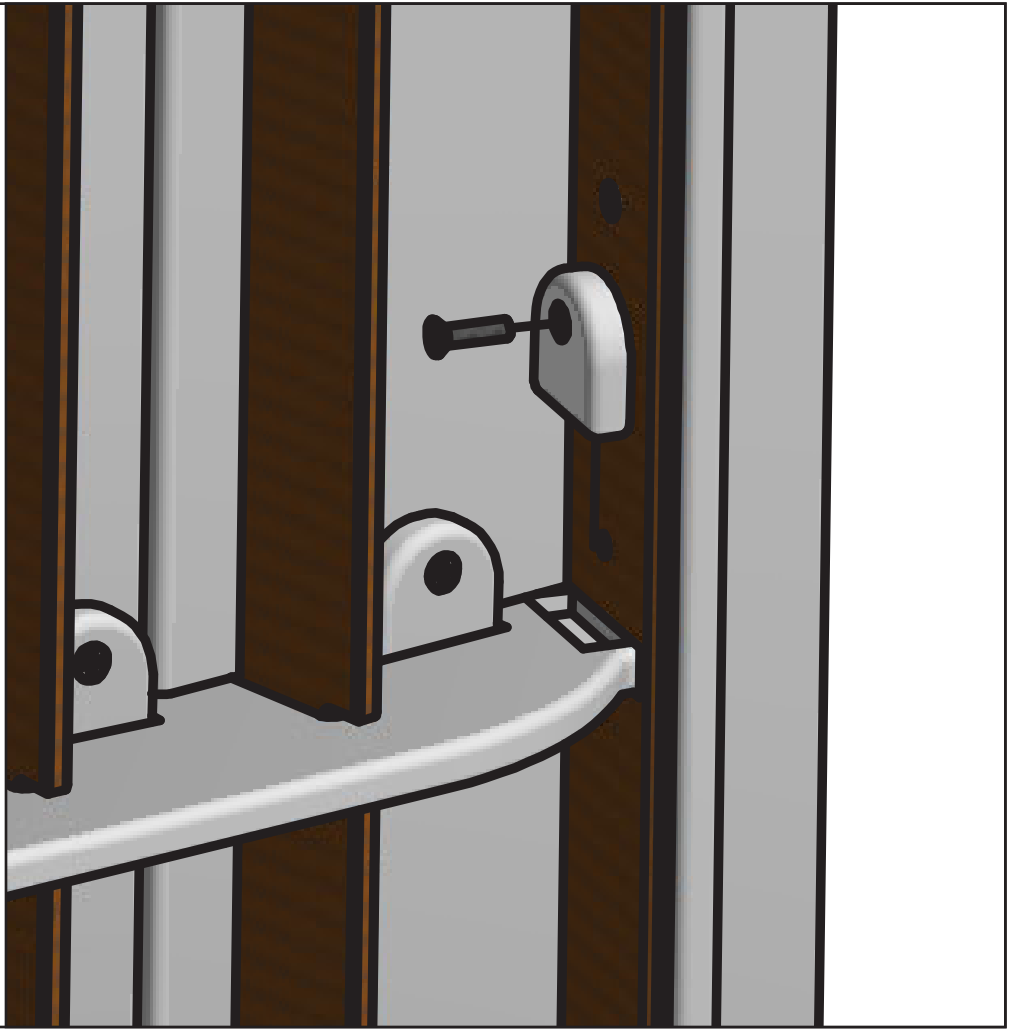
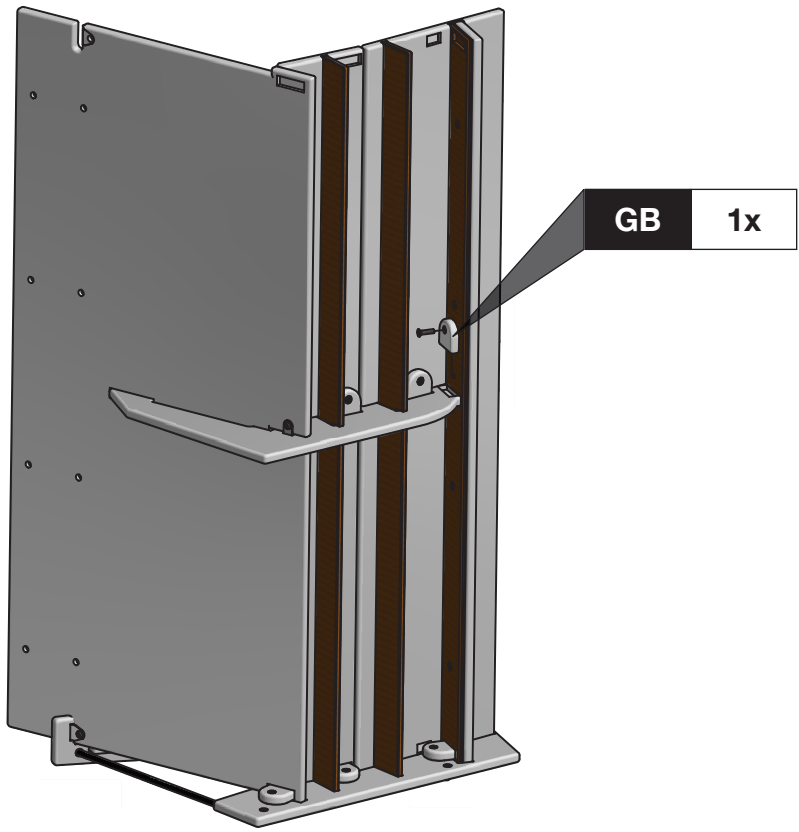
7

GB 1x



1 3/8"

1x



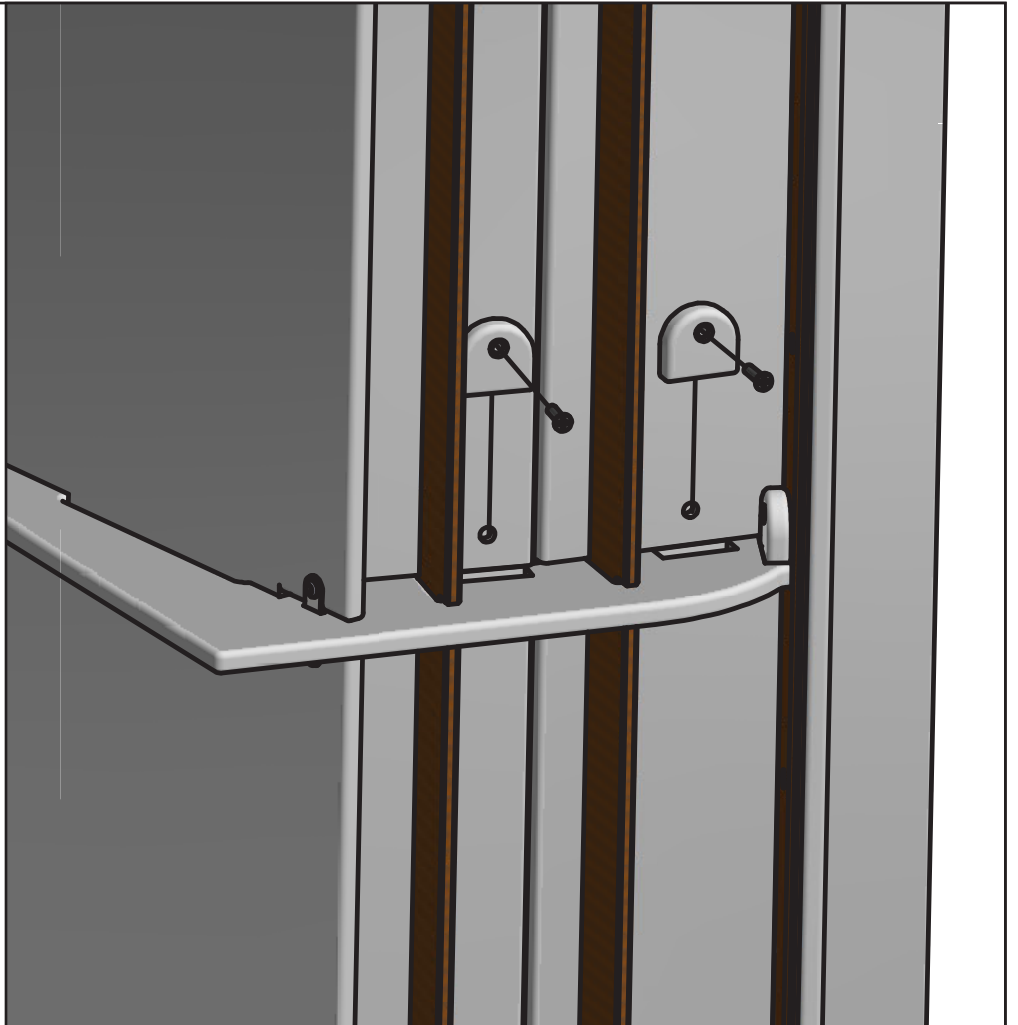
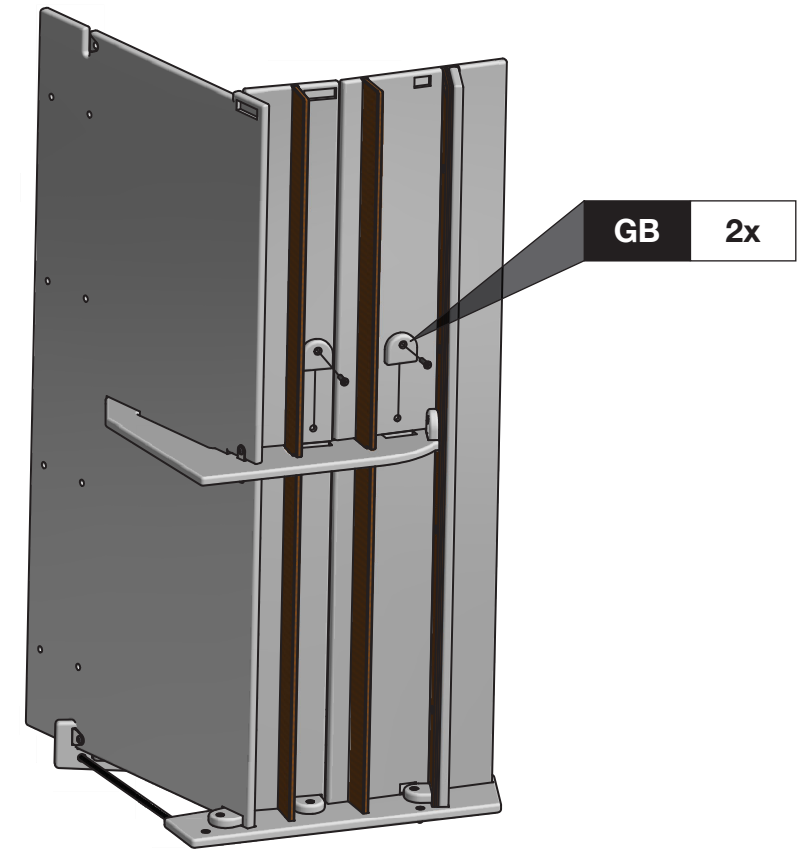
8

GB 2x



1"

2x



9

RIGHT ARM 1x

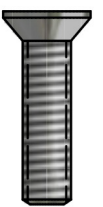
MB 1x

GB 3x



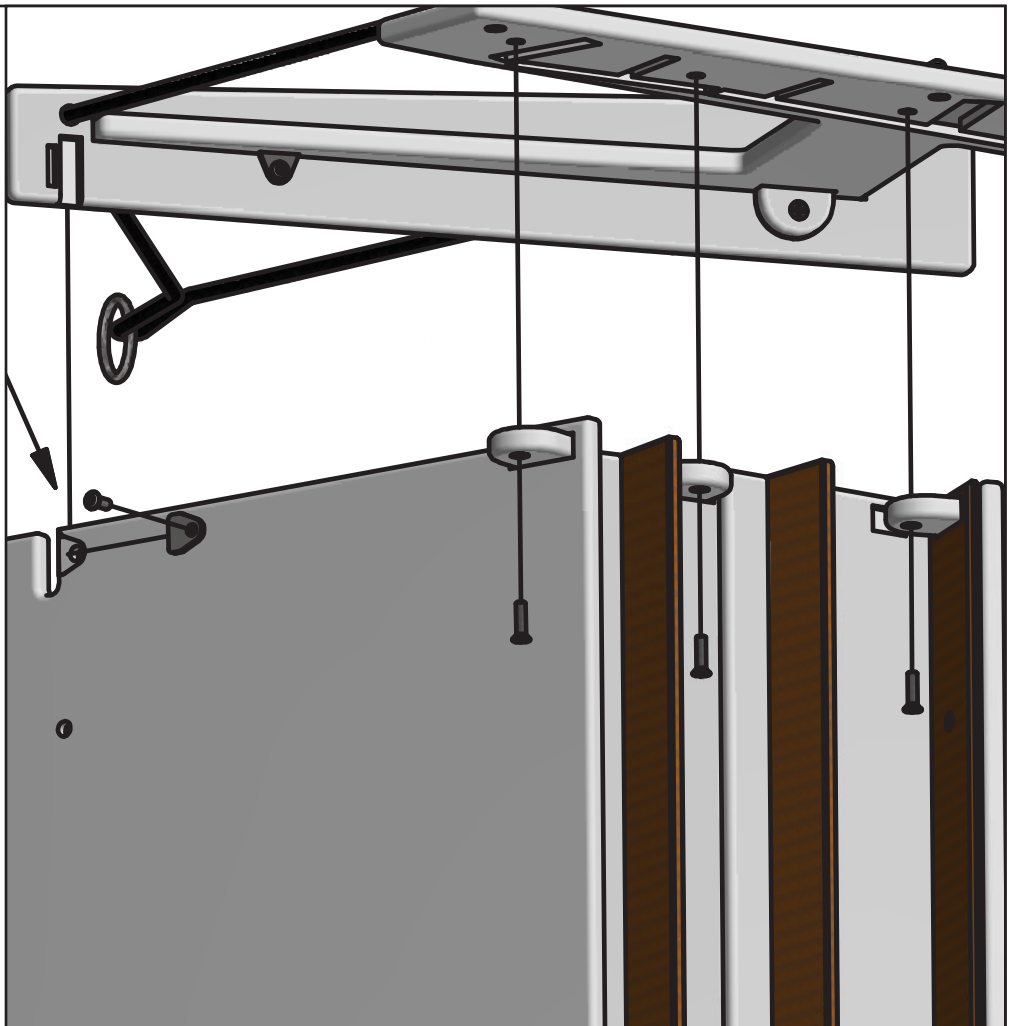
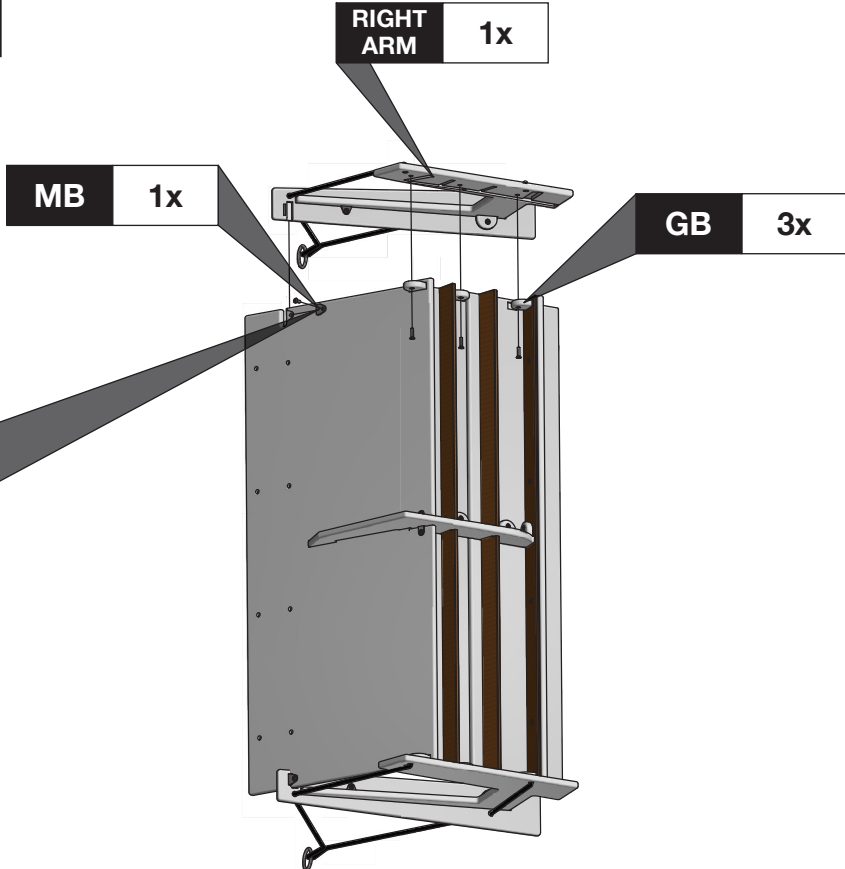
1/2"

1x

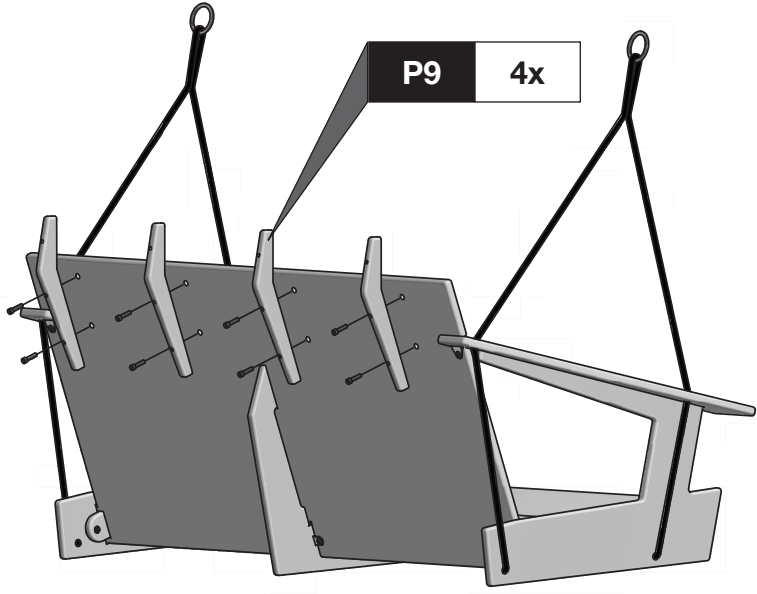


1"

3x

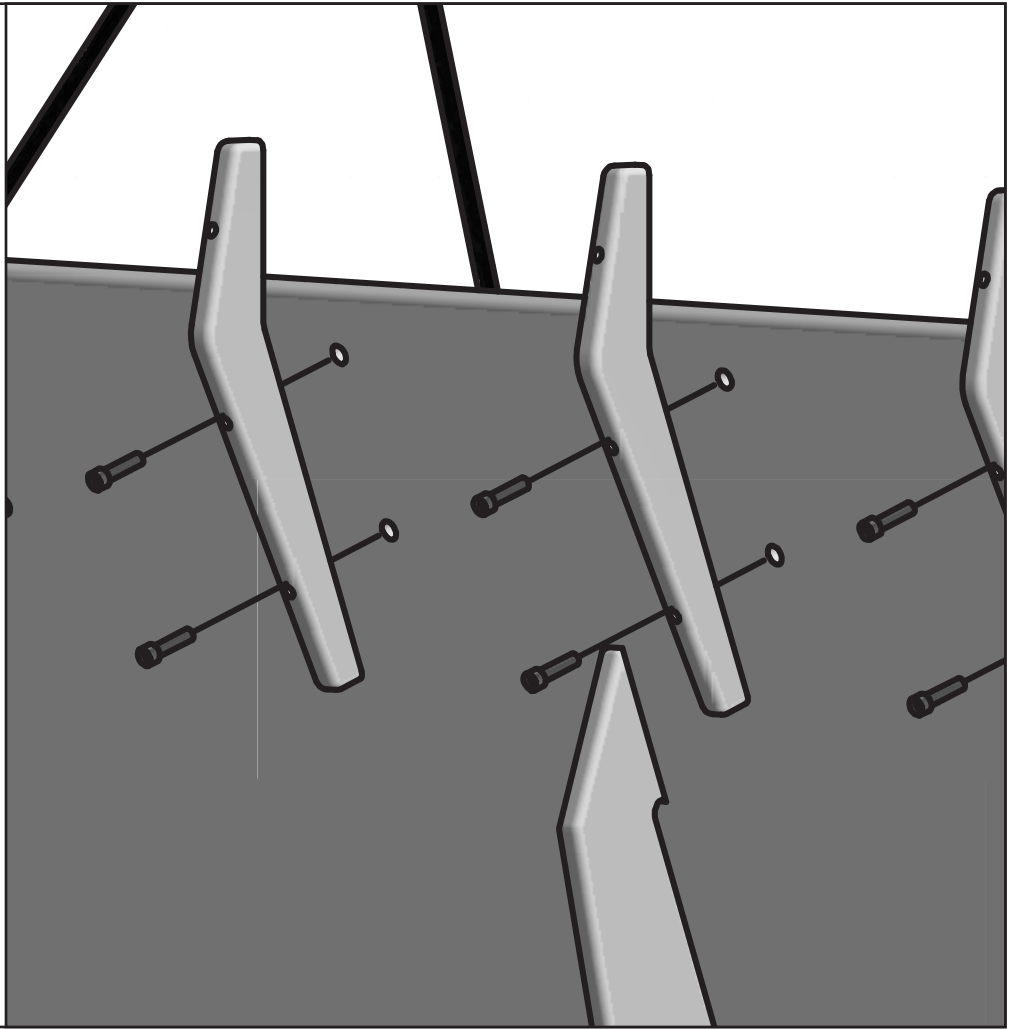


10

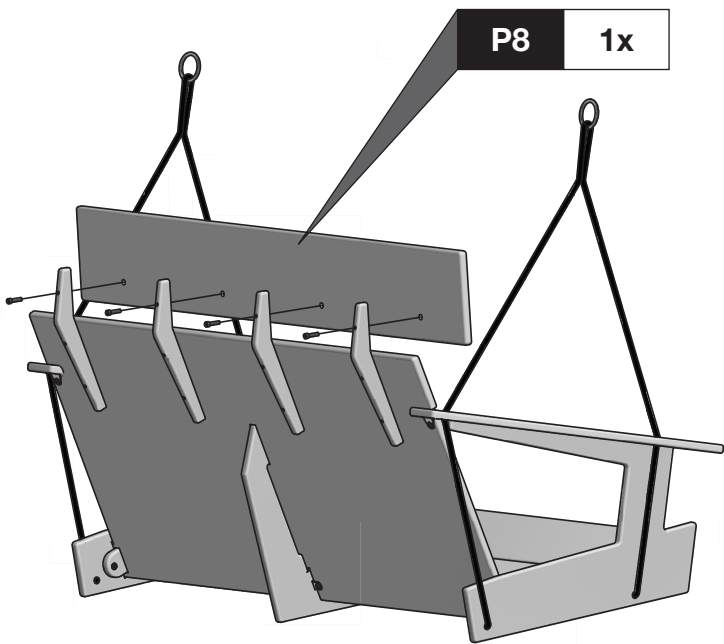


1"  
8x

**\*Caution:**  
Tighten bolts until parts are drawn tight together and stop.  
Do not overtighten bolts.  
**\*\* Please use included 3/16" Allen Wrench for step 10.**

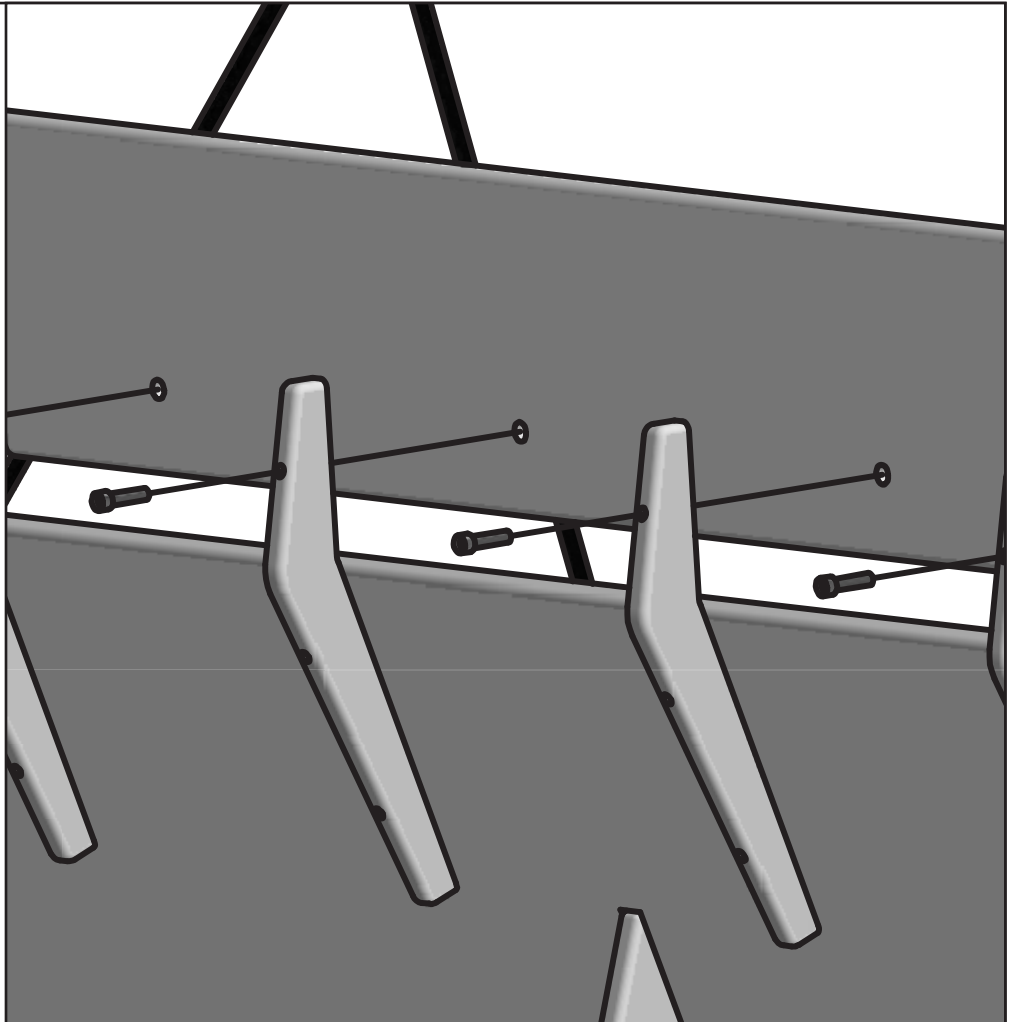


11



1"  
4x

**\*Caution:**  
Tighten bolts until parts are drawn tight together and stop.  
Do not overtighten bolts.  
**\*\* Please use included 3/16" Allen Wrench for step 11.**





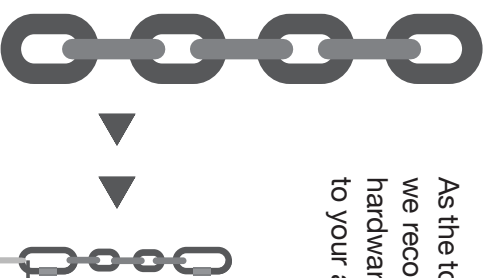
# LOLLYGAGGER DOUBLE SWING

## SWING HANGING SUGGESTIONS

lolldesigns.com | 1-877-740-3387

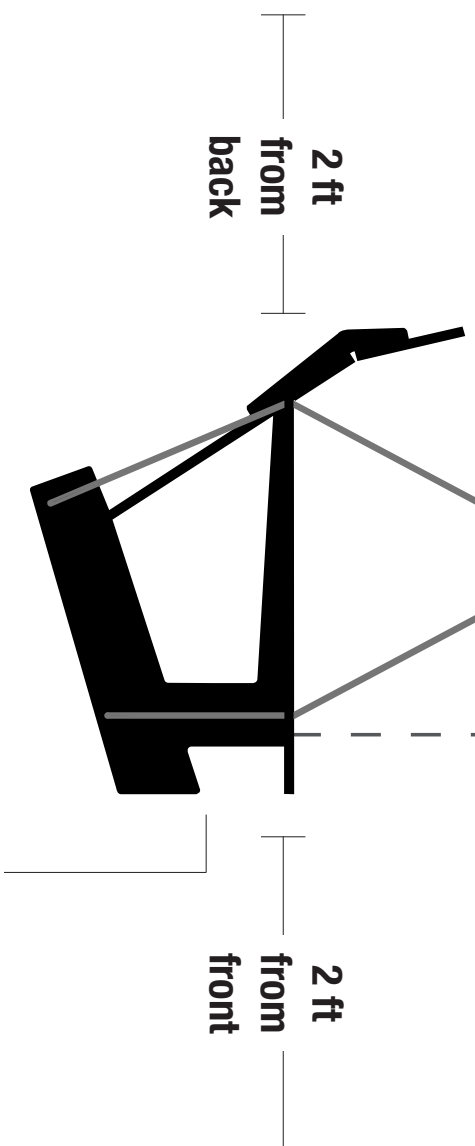
*It is the responsibility of the end user to mount their swing securely.*

As the total ceiling height will vary from space to space, we recommend purchasing chain links from your local hardware store so you can customize a length suitable to your area.



30 in

ring to armrest



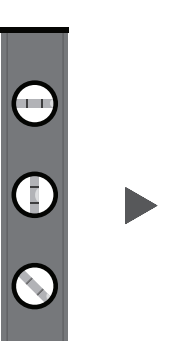
48 in-  
between  
rings

Use quick links for easier connections



1 ft from side

1 ft from side



In general, we recommend approximately a 2-ft minimum clearance in the back and front, and a foot on either side. As far as the seat height, we recommend it to be approximately 18" from the ground, but that can be a general approximation, due to each specific user.

Check that the swing hangs level. Use a level on the swing seat for best measurement.