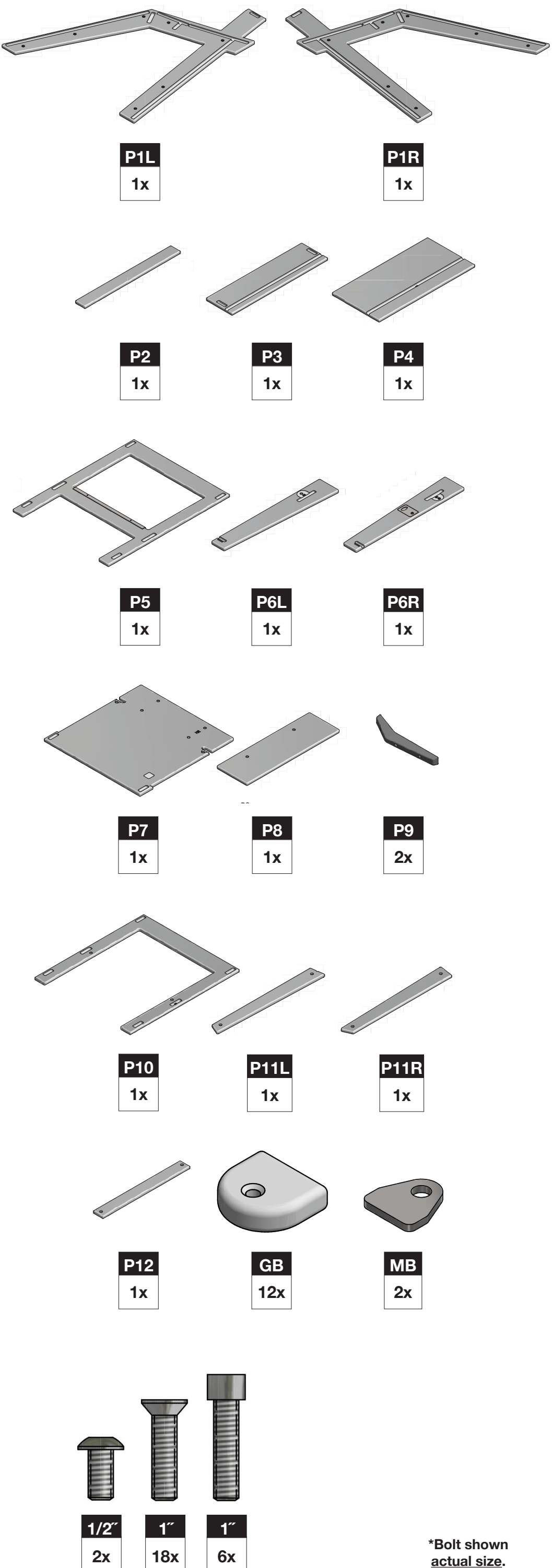


# INCLUDED PARTS

## BOX ONE



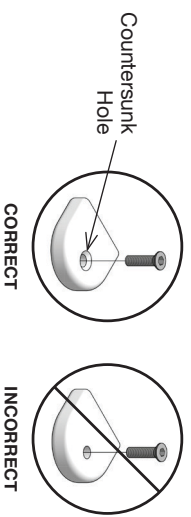
\*Bolt shown actual size.

### ASSEMBLY TIPS: 5 Important Points You **NEED** to Read

1. Prior to beginning assembly, please inspect and inventory the parts to make sure you have everything and that nothing was damaged during shipping. If damage has occurred, please take photos and go to [lollidesigns.com/damage](http://lollidesigns.com/damage). Rest assured we'll get it taken care of straight away!
2. To avoid scratching furniture, assemble on a clean, soft surface like a blanket, carpet, or the flattened cardboard box the furniture was shipped in.
3. **Start all bolts by hand to ensure proper alignment and to prevent cross threading.** Then using the provided tool, tighten until you feel resistance. Do not overtighten.
4. Bolts should not be forced, but some components, particularly blocks, fit snug but can still be installed without tools or excess force.
5. If parts are still not going together, please send us a photo of the part you are having trouble with.

### BLOCK & BOLT INSTALLATION

Insert bolts through countersunk hole side of blocks as shown below.



*"Loll Designs inspires people to appreciate the outdoors."*

Greg Benson - Founder

### ♻️ RECYCLE THE PACKAGING

We've gone through great lengths to make as much of our packaging as possible recyclable. The cardboard box, paper wrap, filler and paper bags can all go in your recycling bin. The muslin hardware bags replaced plastic bags with the intention of reducing plastic and encouraging reuse. Loll Designs and Planet Earth thank you!

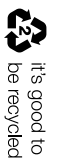
### WE WANT YOU TO LOVE YOUR LOLL

For more info and visual aids, watch the assembly videos at [www.lollidesigns.com/videos](http://www.lollidesigns.com/videos). For product care & maintenance, visit [www.lollidesigns.com/care-maintenance](http://www.lollidesigns.com/care-maintenance). For further lollygagging assistance, please reach out!

+1 877-740-3387  
[sales@lollidesigns.com](mailto:sales@lollidesigns.com)  
 5912 Waseca Street  
 Duluth, Minnesota 55807

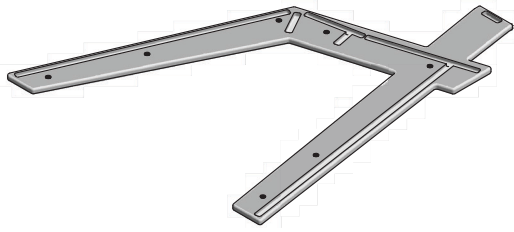
### ASSEMBLY INSTRUCTIONS & PRODUCT INFO:

HI-RISE CHAIR WITH BRIDGE  
 HI-RISE CHAIR WITH BRIDGE 40

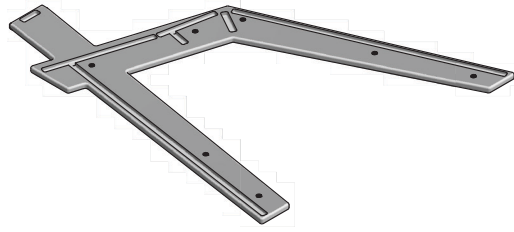


# INCLUDED PARTS CONTINUED

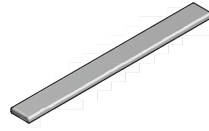
## BOX TWO



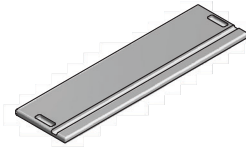
**P1L**  
1x



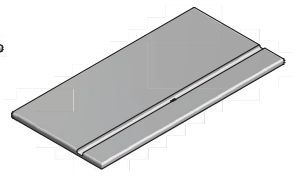
**P1R**  
1x



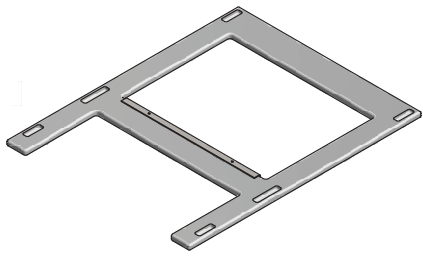
**P2**  
1x



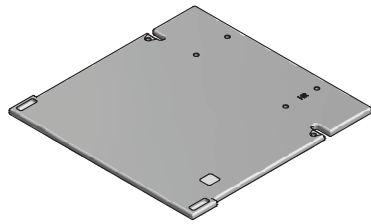
**P3**  
1x



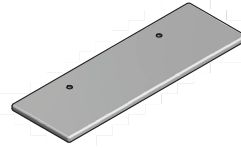
**P4**  
1x



**P5**  
1x



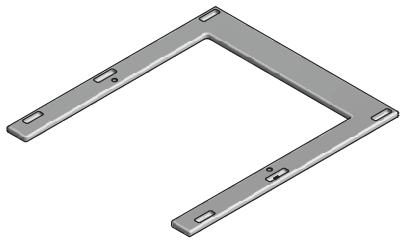
**P7**  
1x



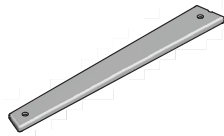
**P8**  
1x



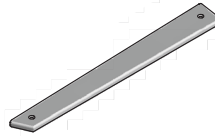
**P9**  
2x



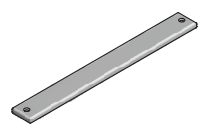
**P10**  
1x



**P11L**  
1x



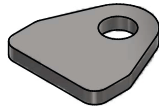
**P11R**  
1x



**P12**  
1x



**GB**  
12x



**MB**  
2x



**1/2"**  
2x



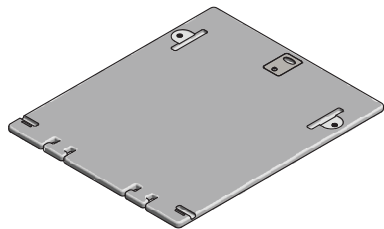
**1"**  
18x



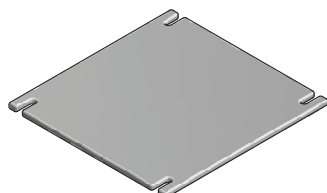
**1"**  
6x

\*Bolt shown actual size.

## BOX TWO BRIDGE

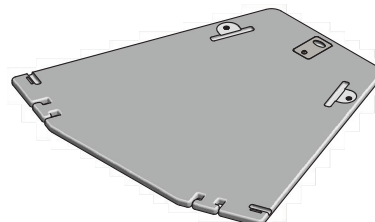


**P14**  
1x

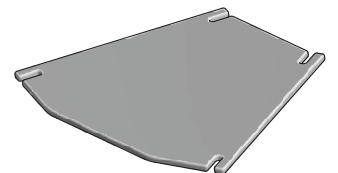


**P15**  
1x

## BOX TWO BRIDGE 40



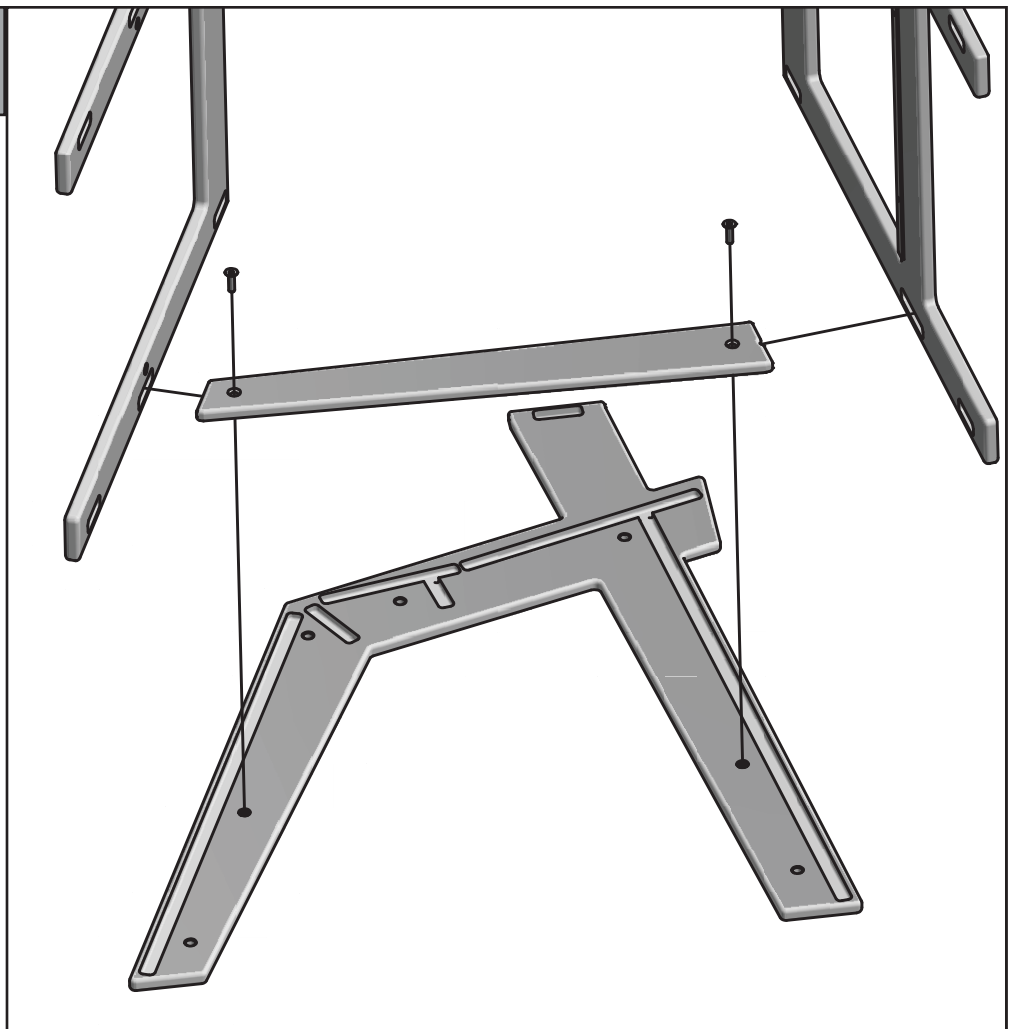
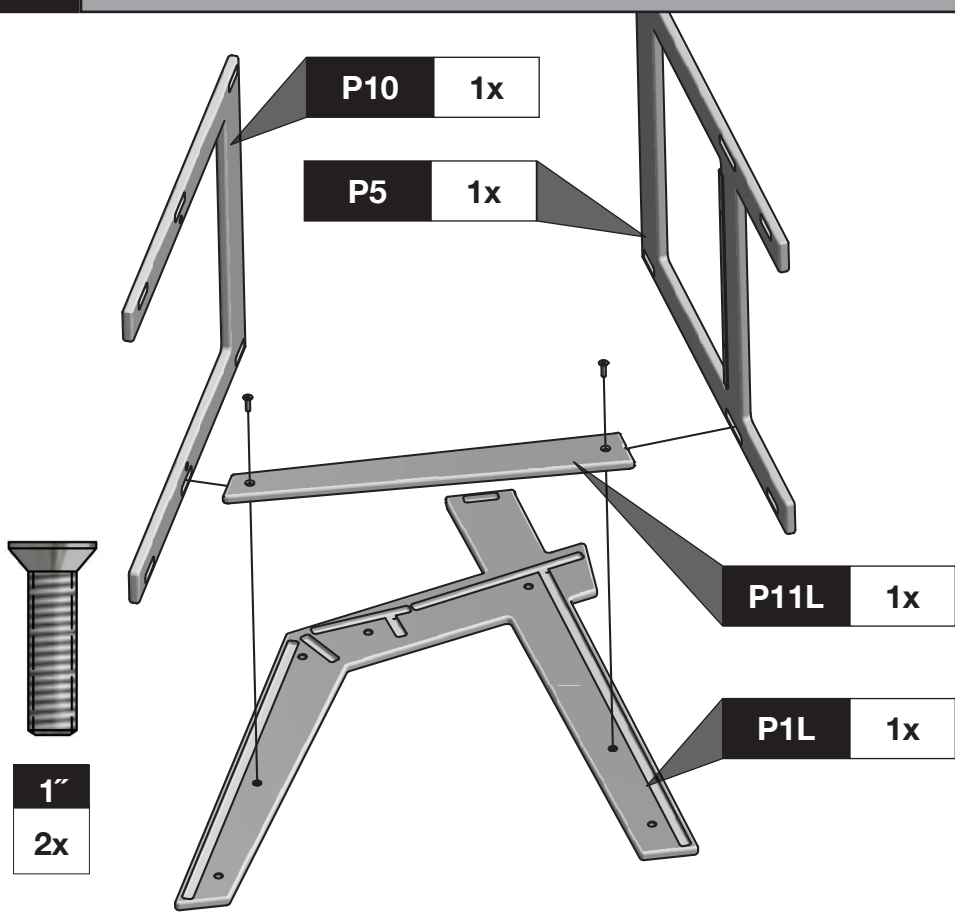
**P14**  
1x



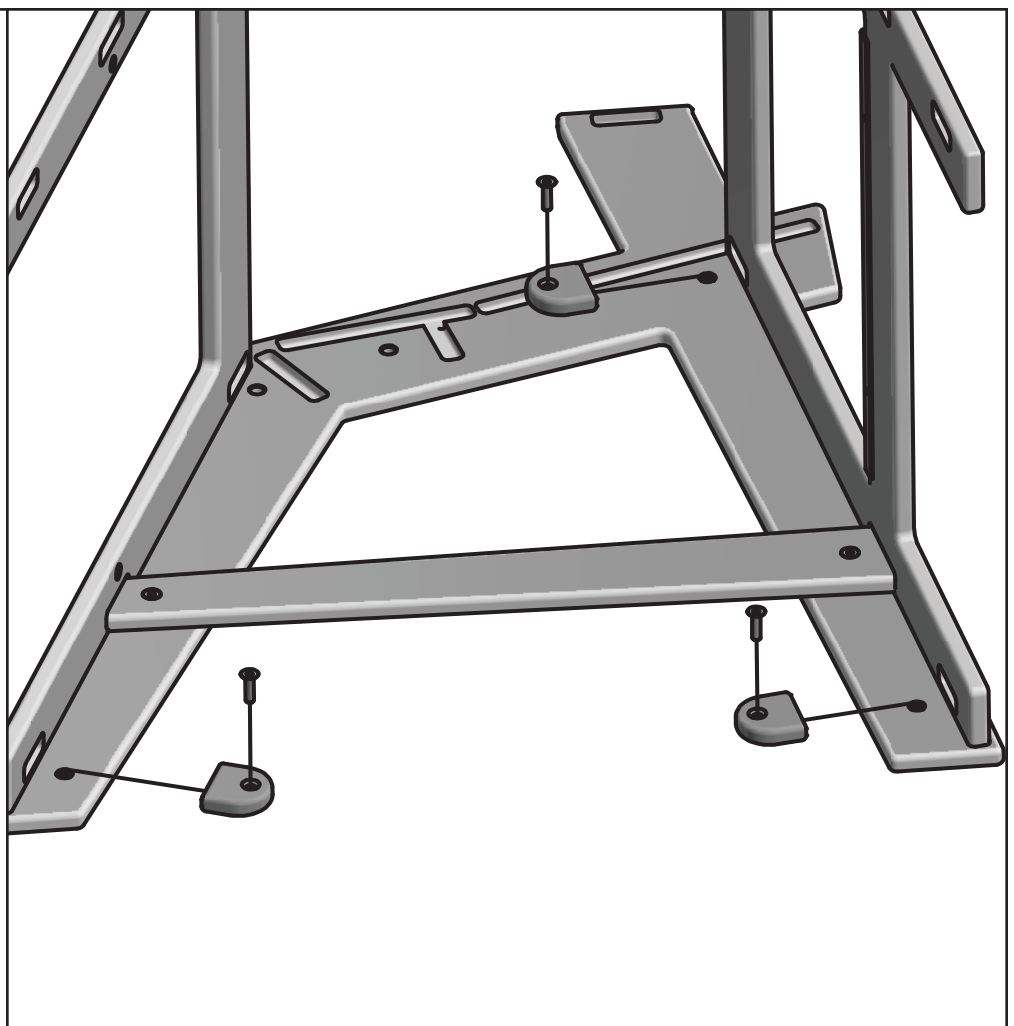
**P15**  
1x

1

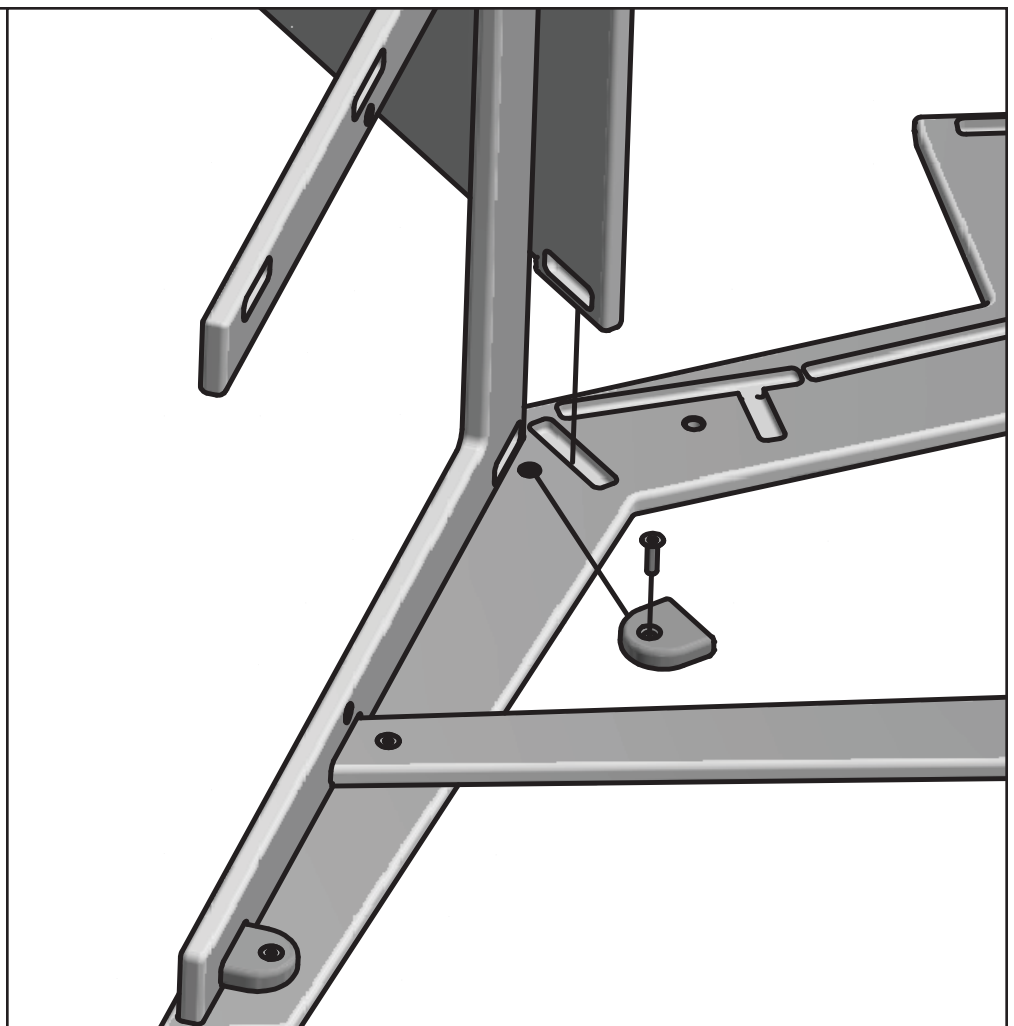
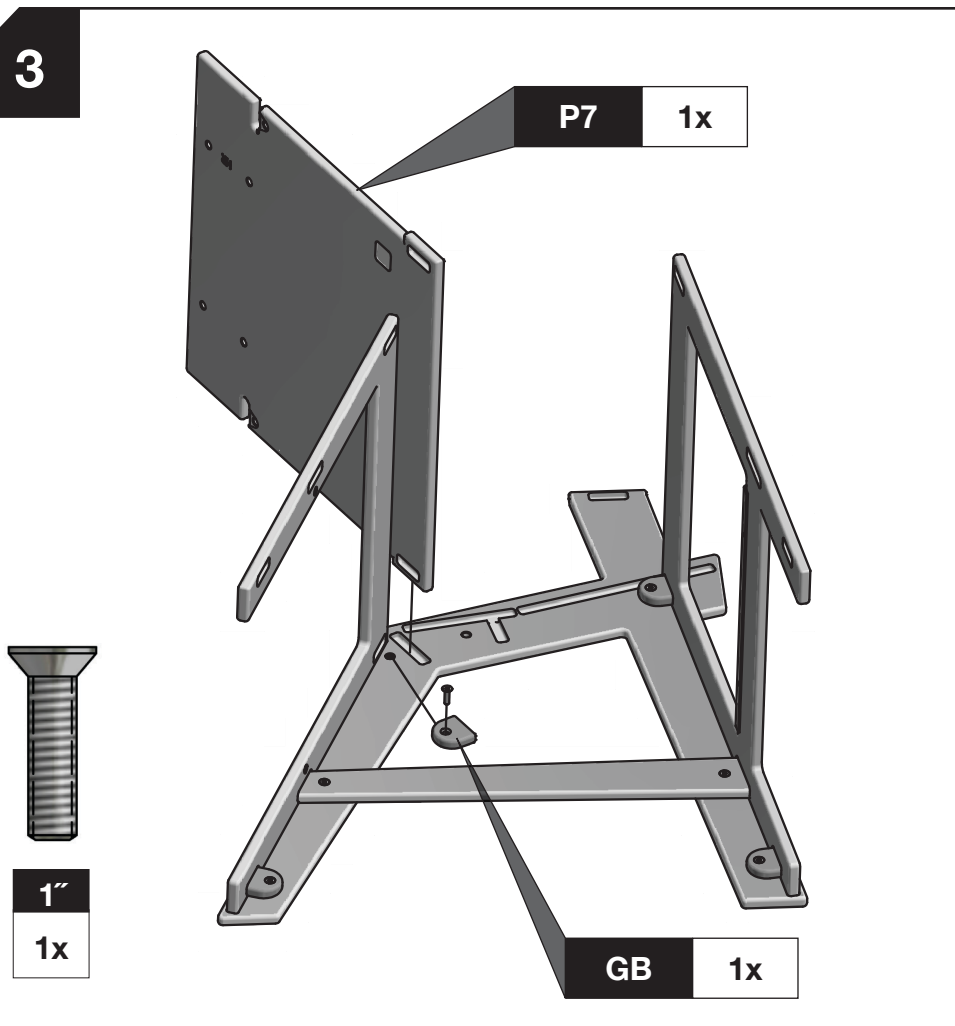
Follow steps 1-8 on BOX TWO in conjunction.



2



3





4

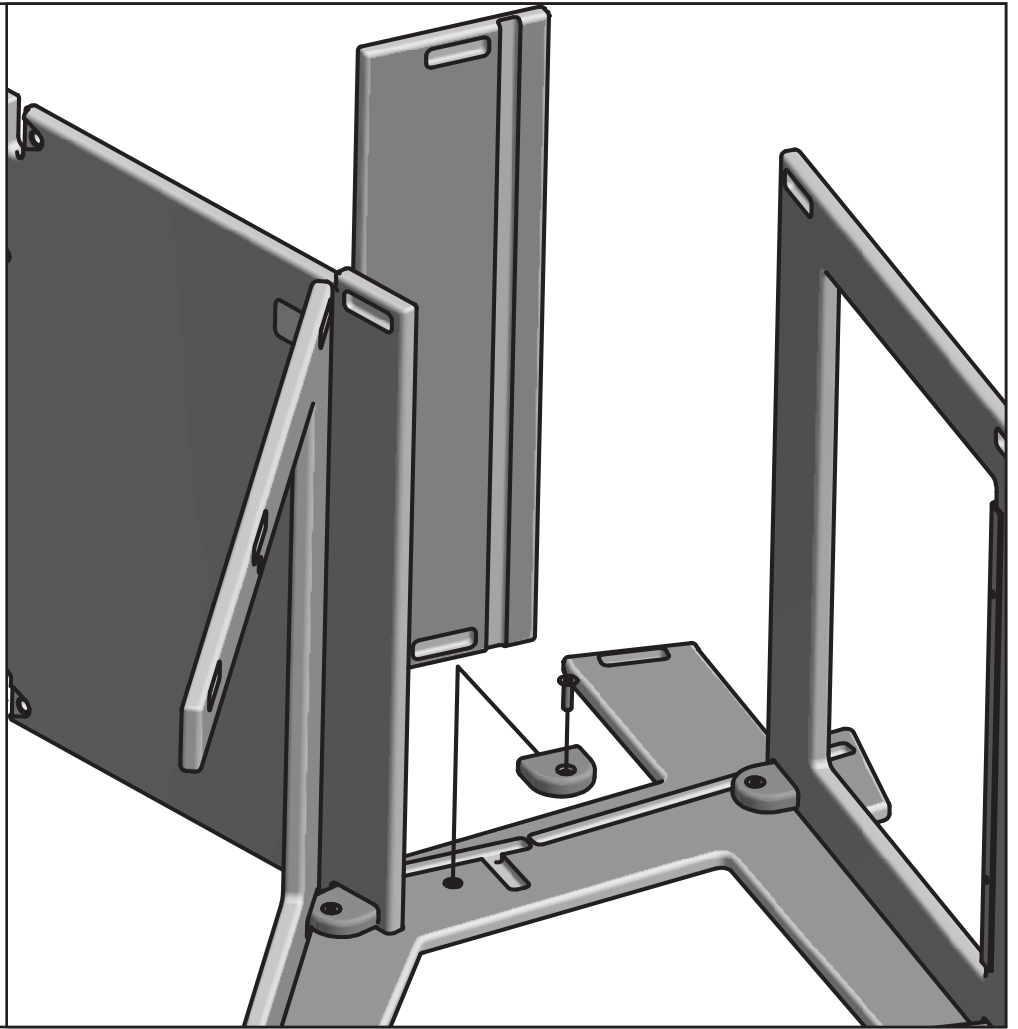
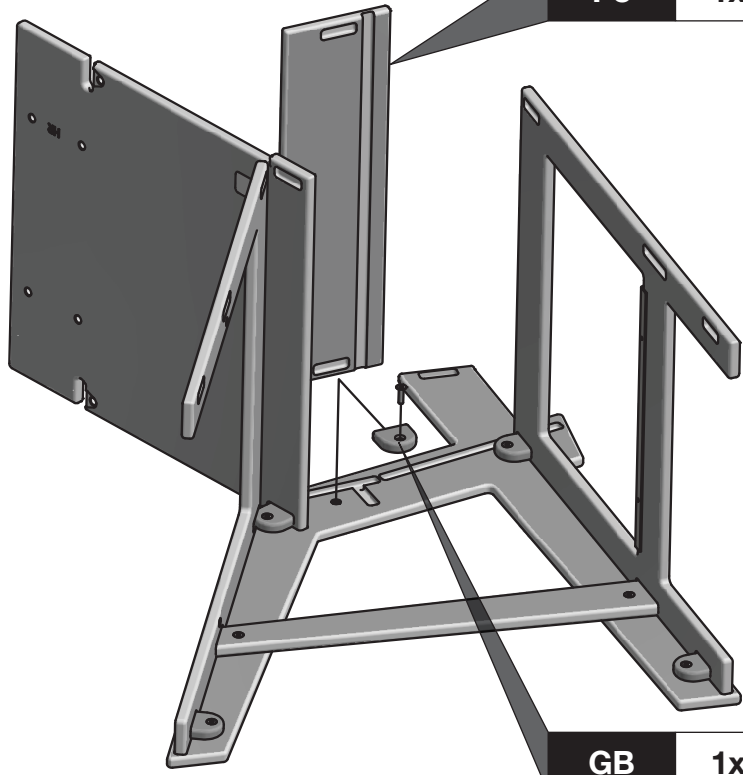
P3 1x

GB 1x



1"

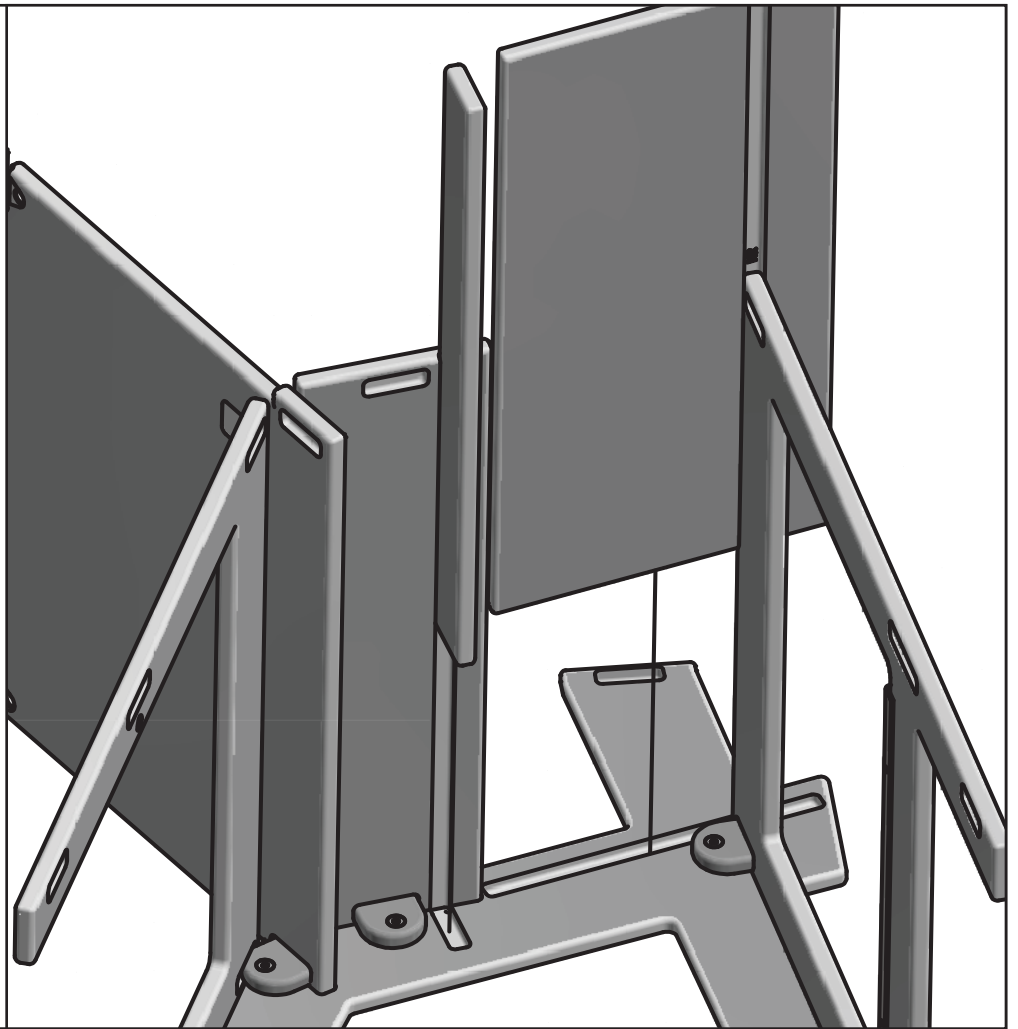
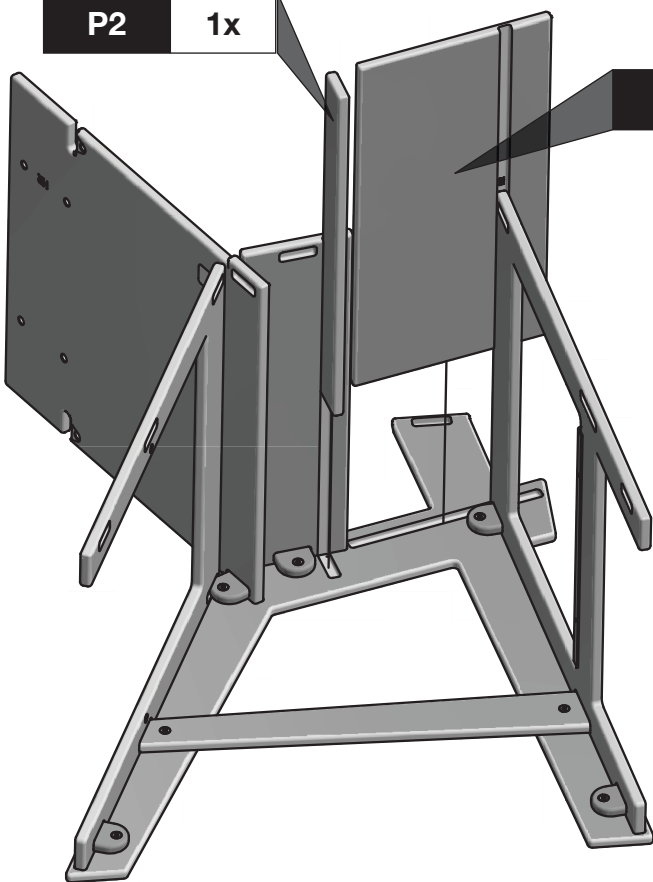
1x



5

P2 1x

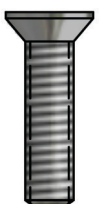
P4 1x



6

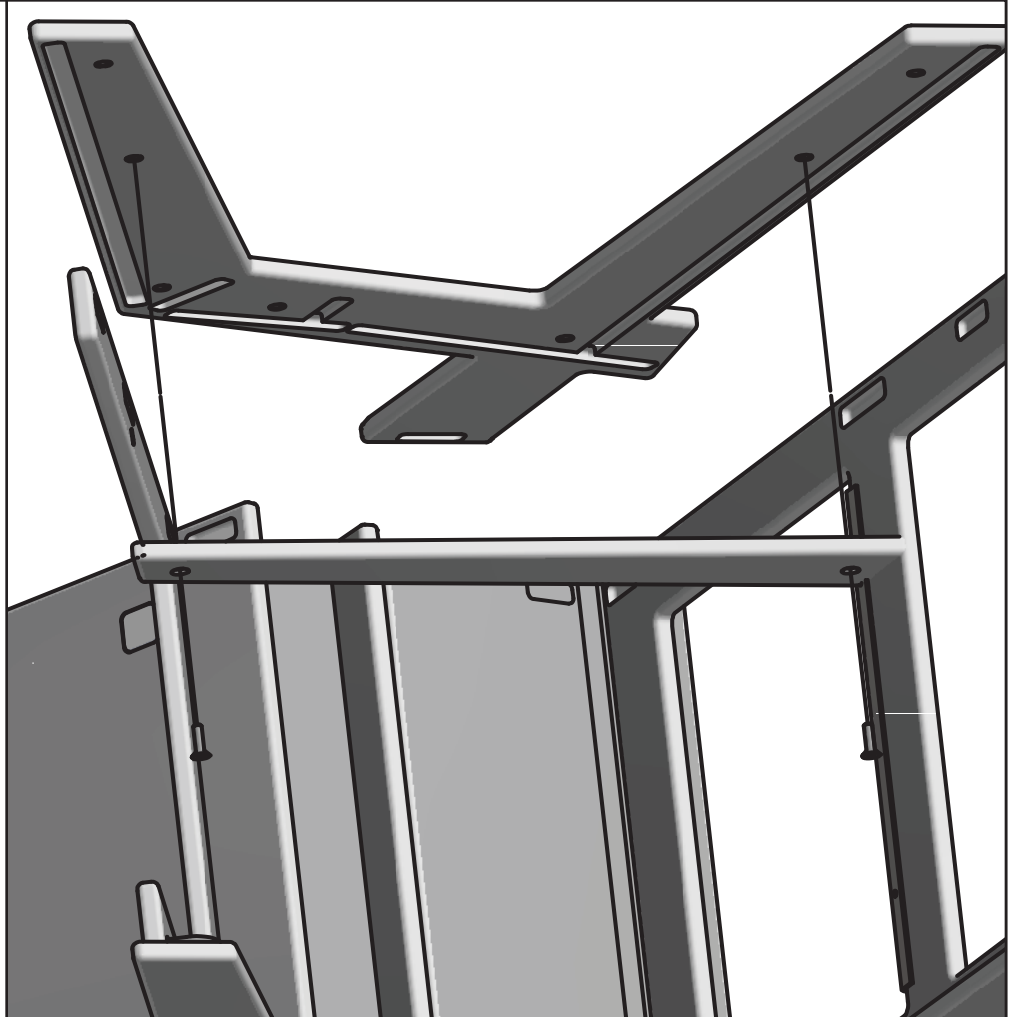
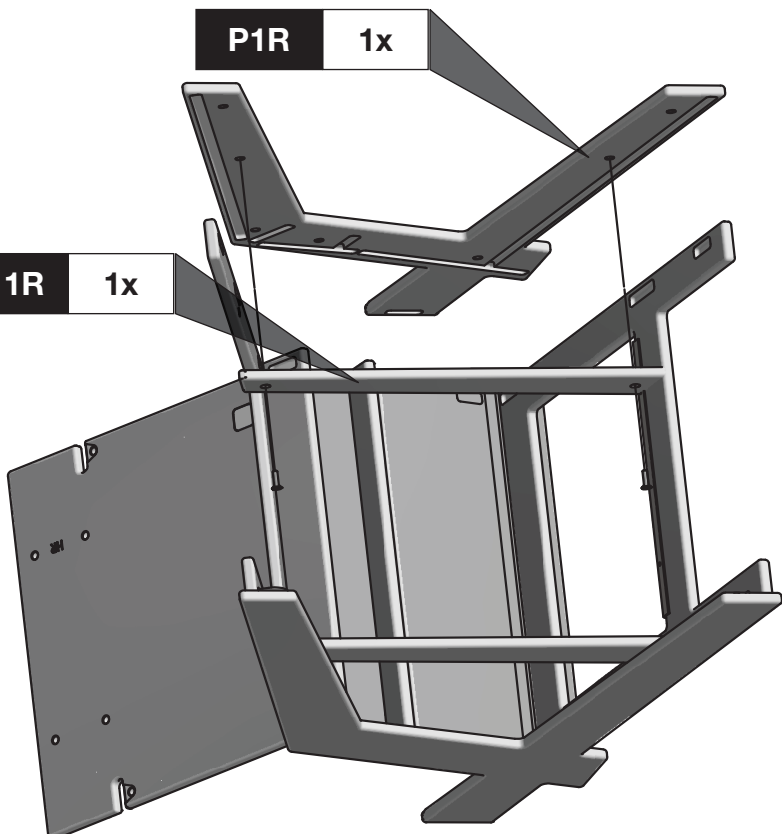
P1R 1x

P11R 1x



1"

2x

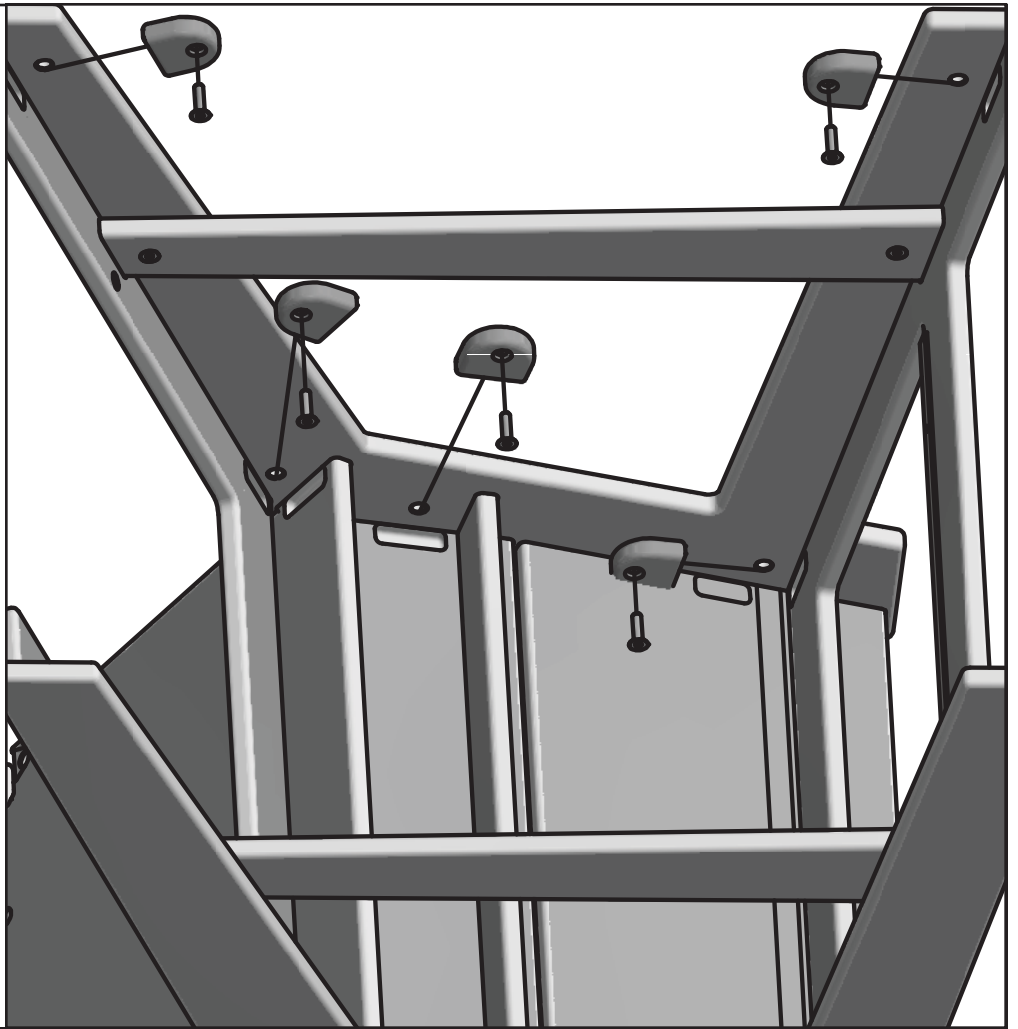
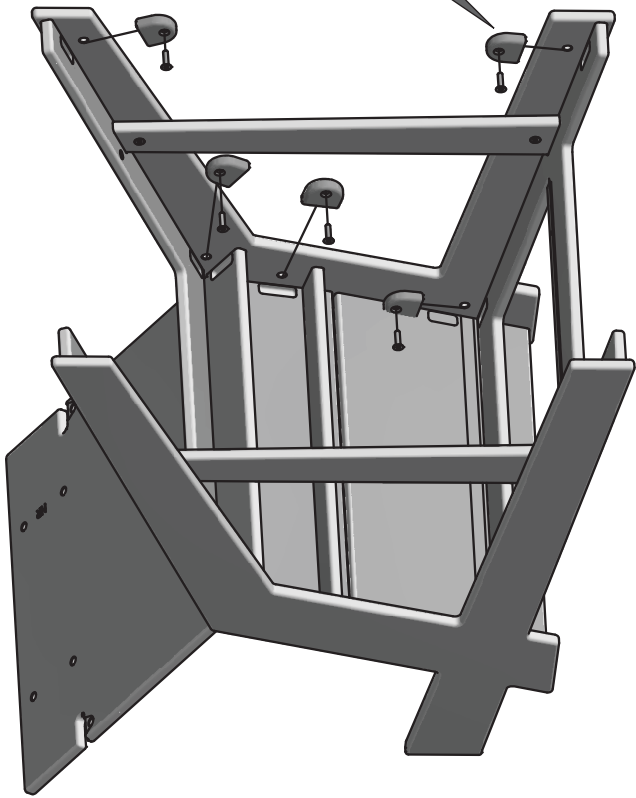


7

GB 5x



1"  
5x



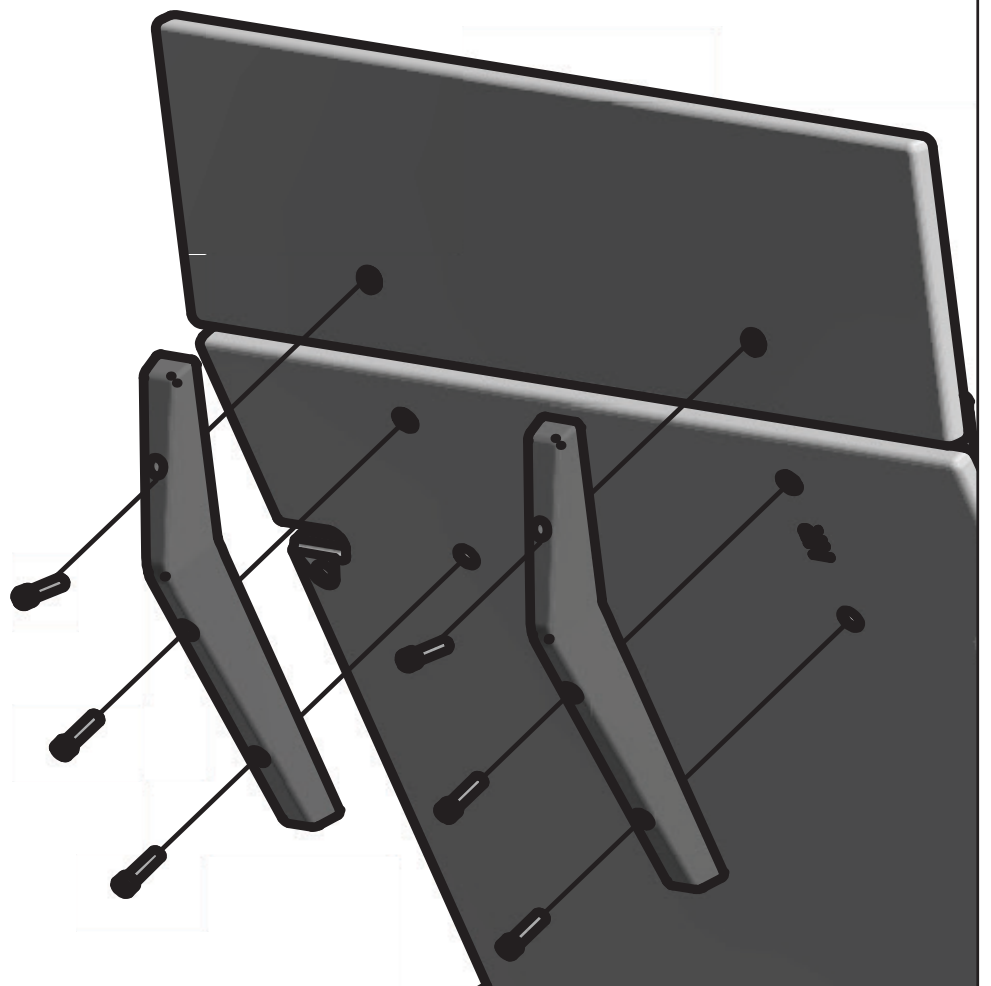
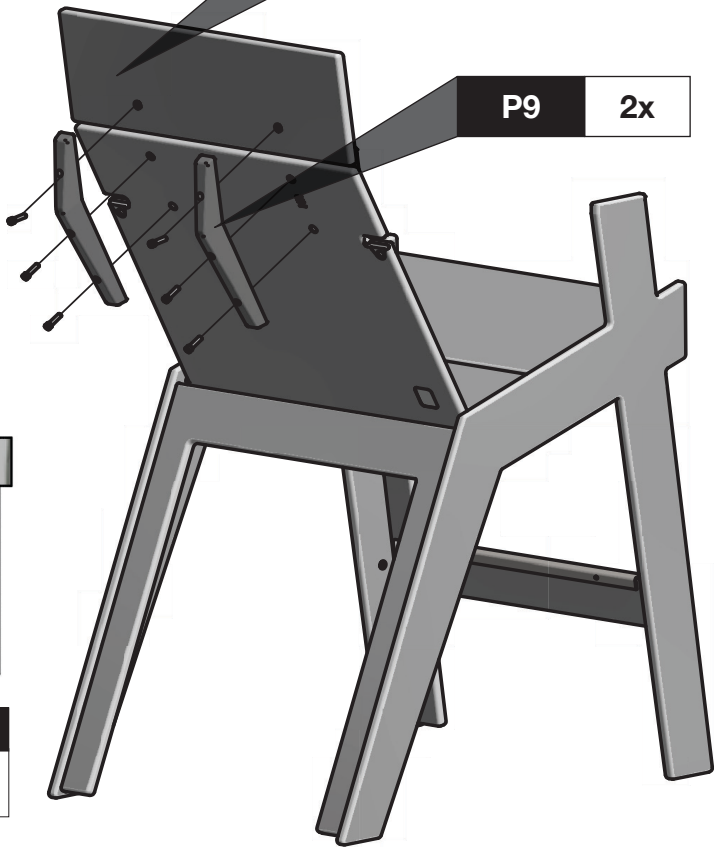
8

P8 1x

P9 2x



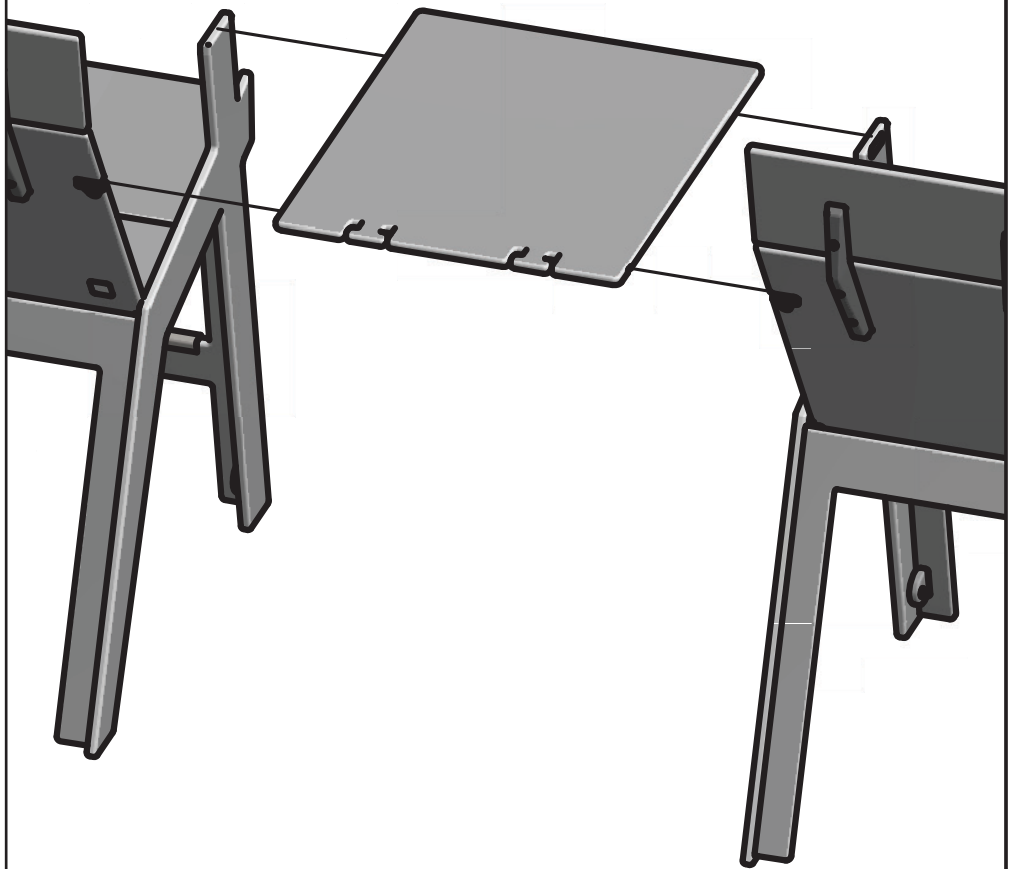
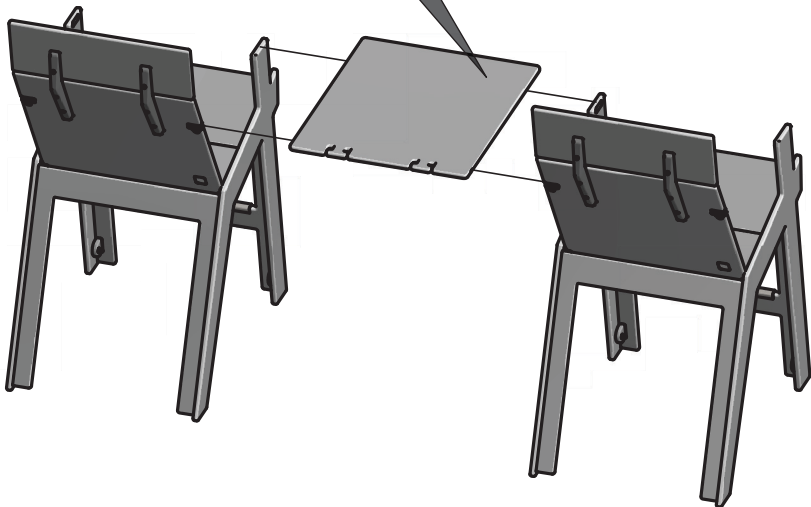
1"  
6x



9

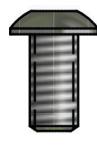
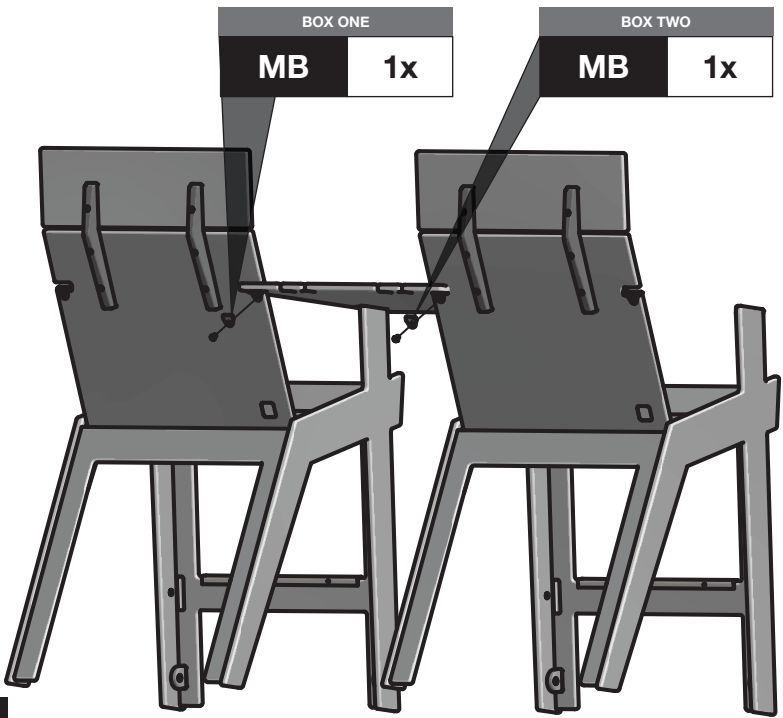
Repeat steps 1-8 for BOX TWO before continuing.

BOX TWO  
P14 1x

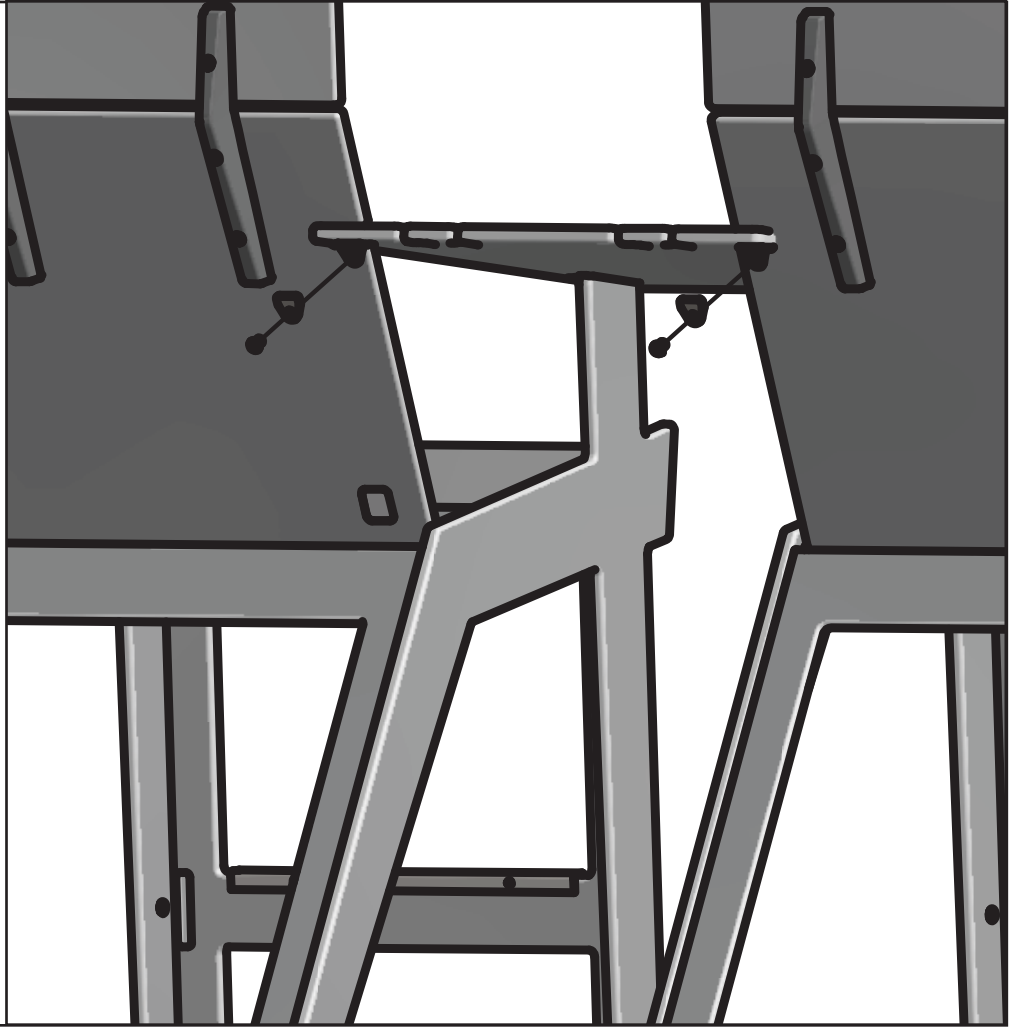


\*Bridge 40 not shown

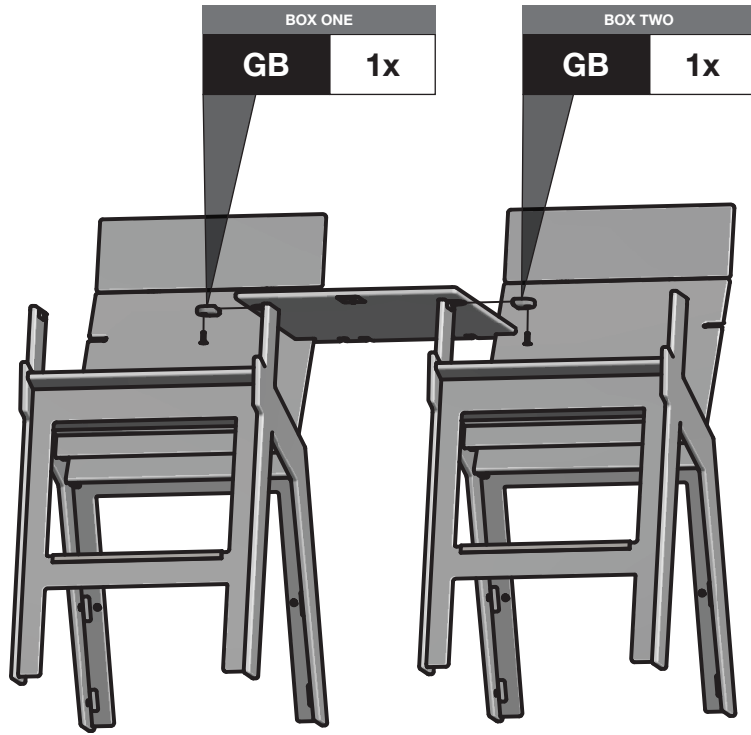
10



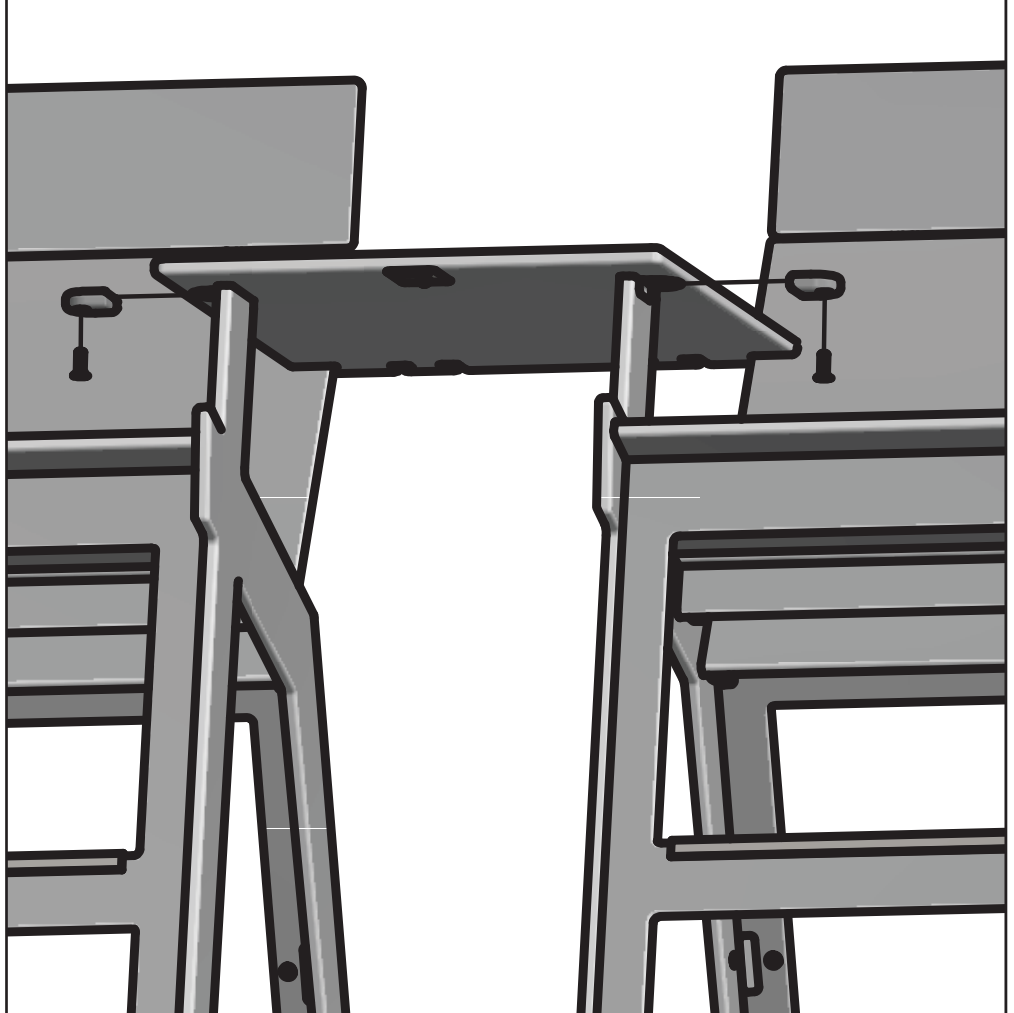
1/2"	
BOX ONE	BOX TWO
1x	1x



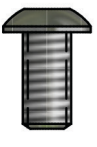
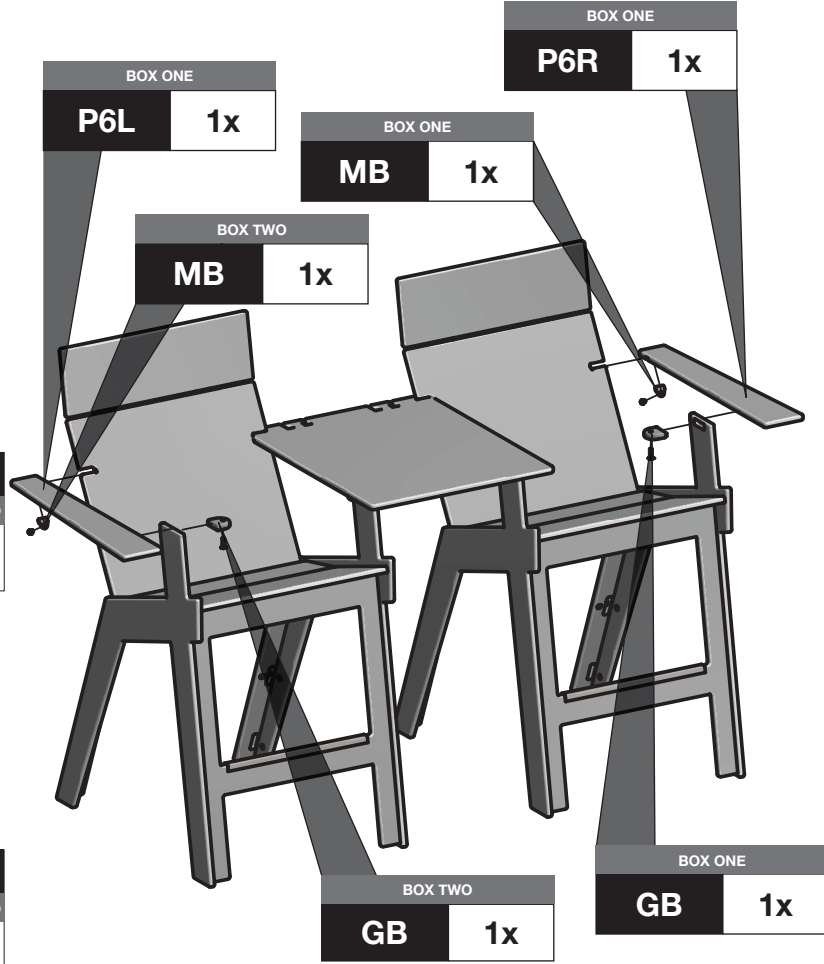
11



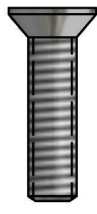
1"	
BOX ONE	BOX TWO
1x	1x



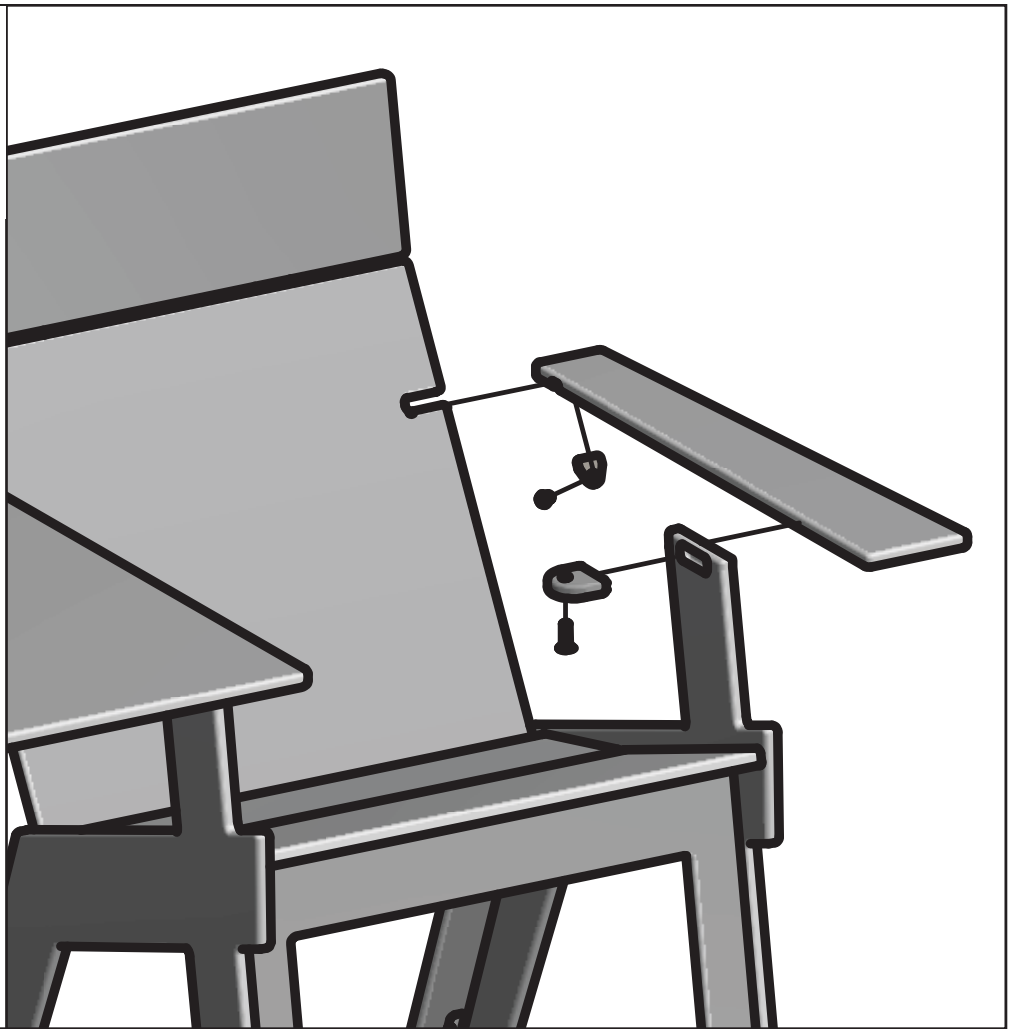
12



1/2"	
BOX ONE	BOX TWO
1x	1x

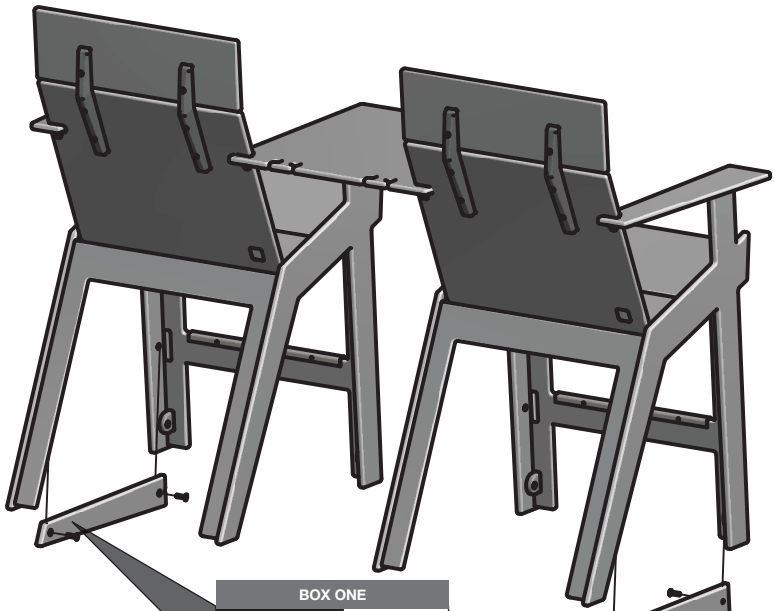


1"	
BOX ONE	BOX TWO
2x	2x





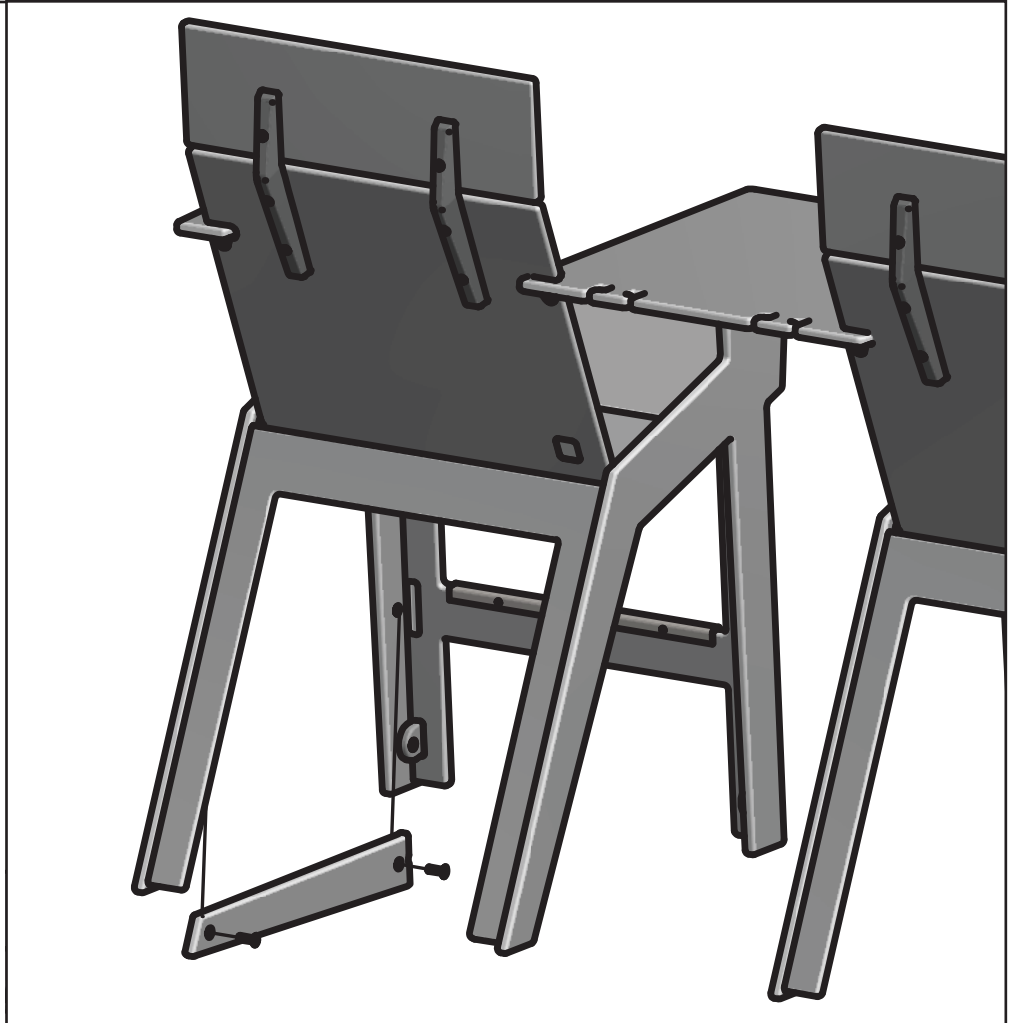
13



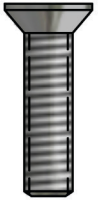
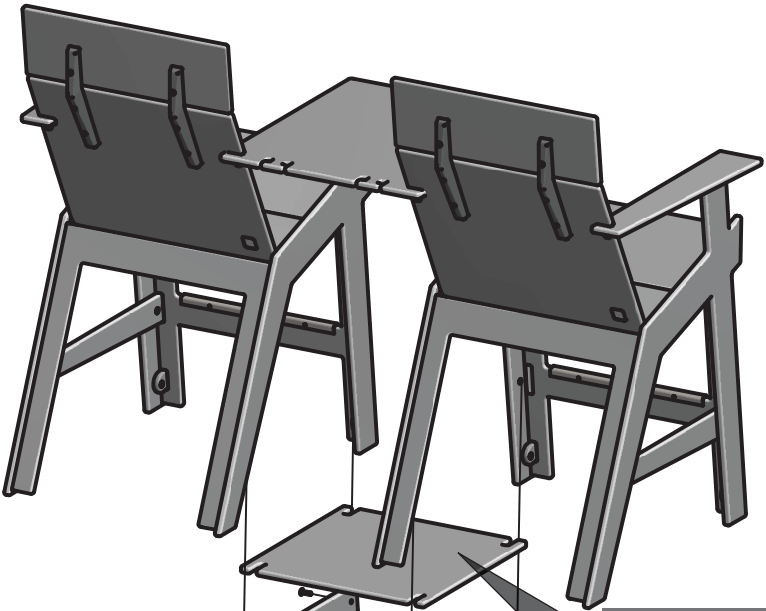
BOX ONE  
P11L 1x

BOX ONE  
P11 1x

1"  
BOX ONE BOX TWO  
1x 1x



14

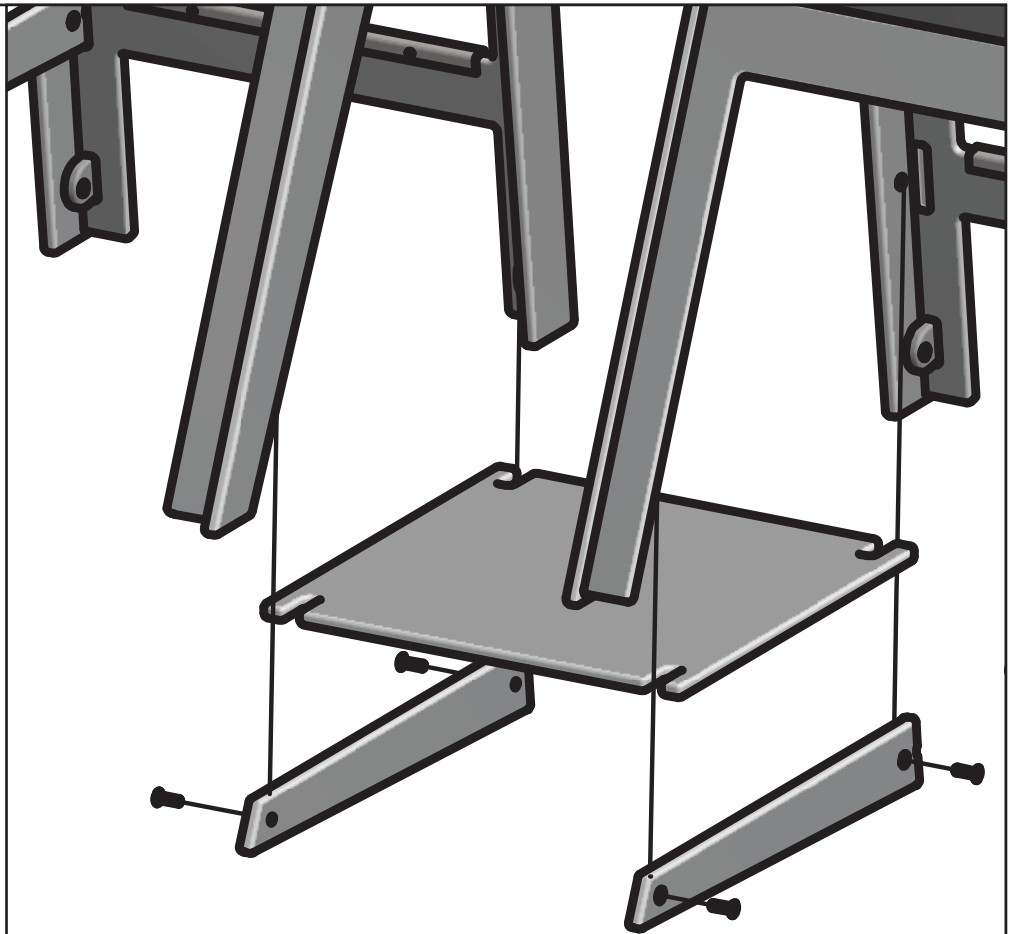


BOX TWO  
P15 1x

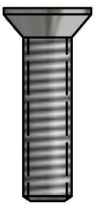
BOX TWO  
P11L 1x

BOX TWO  
P11R 1x

1"  
BOX ONE BOX TWO  
2x 2x



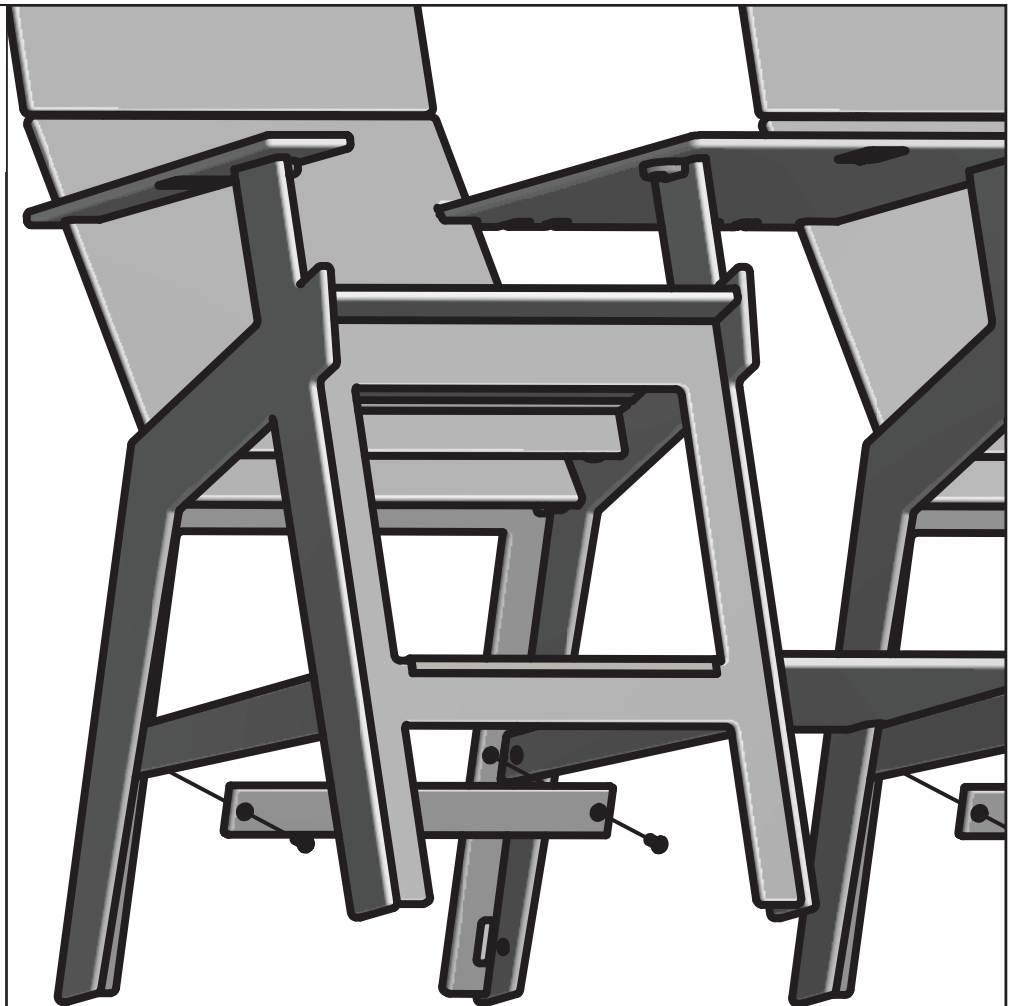
15



BOX ONE  
P12 1x

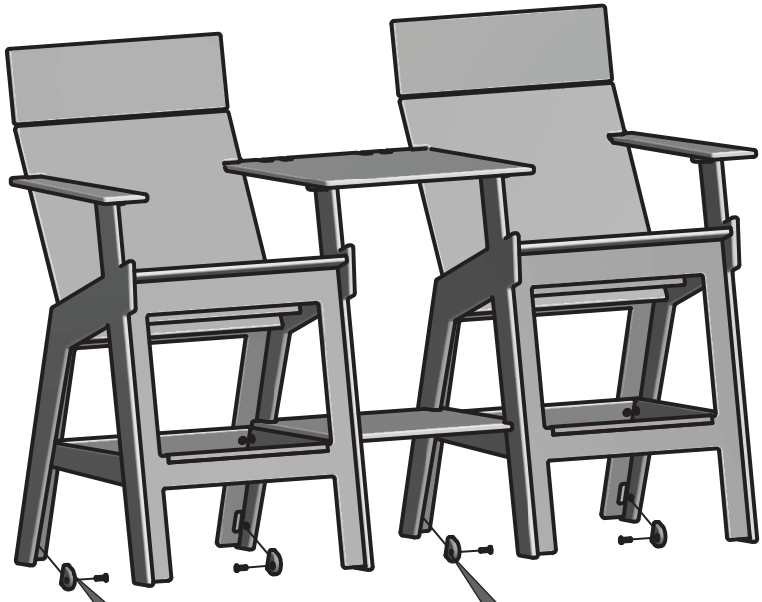
BOX TWO  
P12 1x

1"  
BOX ONE BOX TWO  
2x 2x





1"	
BOX ONE	BOX TWO
2x	2x



BOX ONE	
GB	2x

BOX TWO	
GB	2x

