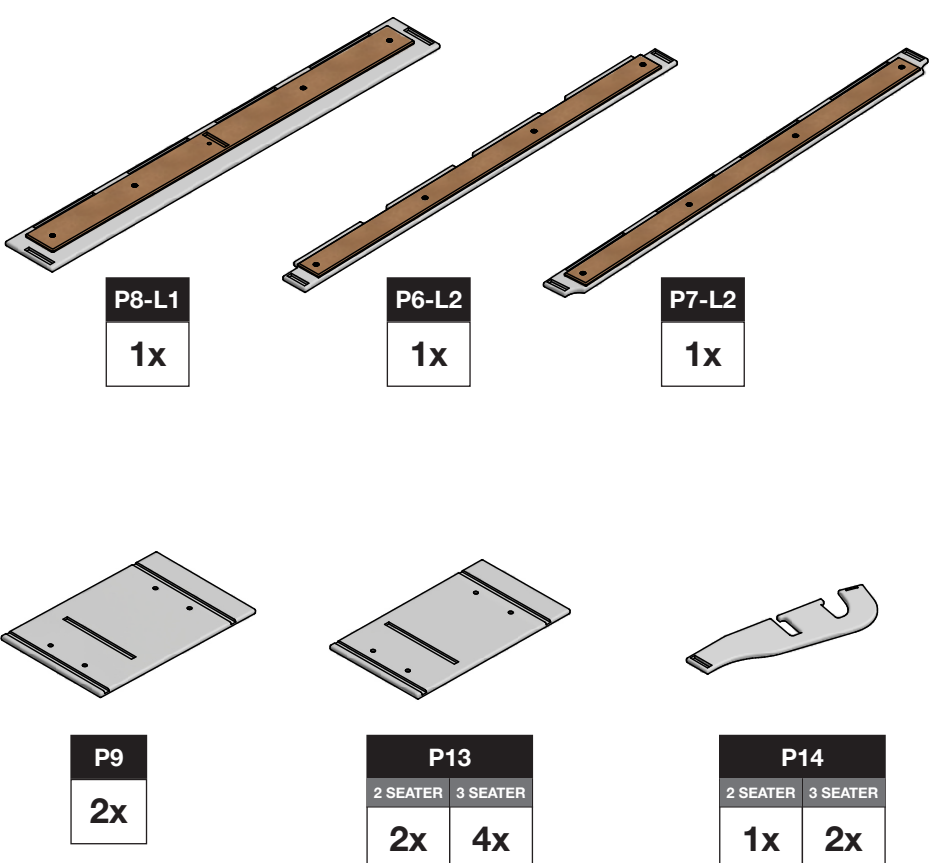
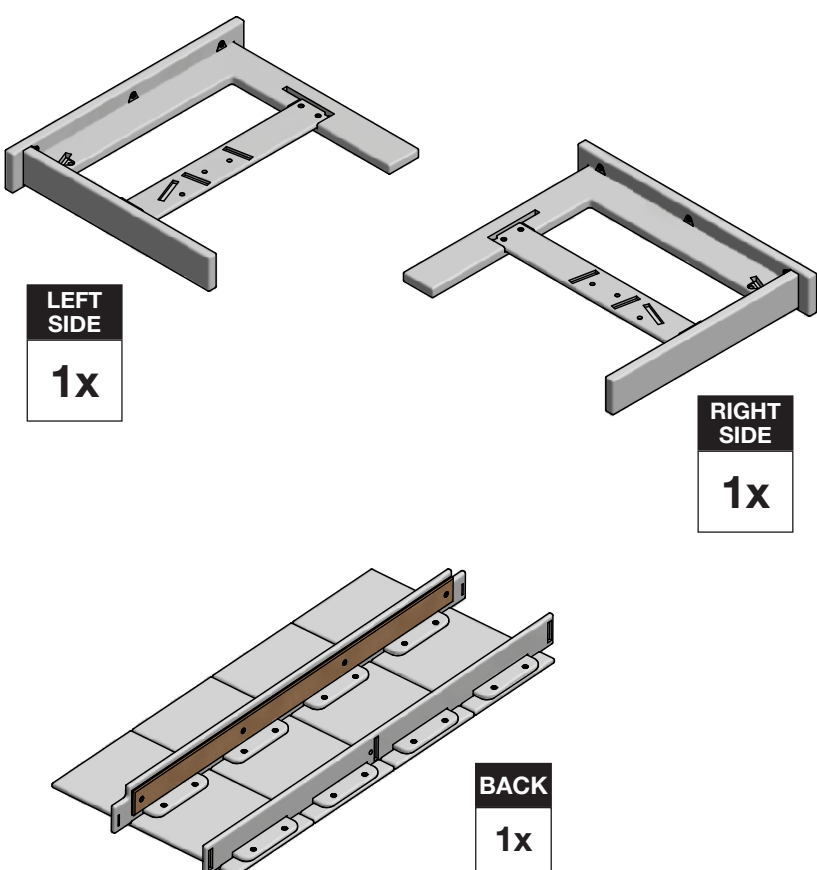


## INCLUDED PARTS



### ASSEMBLY TIPS: 5 Important Points You NEED to Read

1. Prior to beginning assembly, please inspect and inventory the parts to make sure you have everything and that nothing was damaged during shipping. If damage has occurred, please take photos and go to [lollidesigns.com/damage](http://lollidesigns.com/damage). Rest assured we'll get it taken care of straight away!
2. To avoid scratching furniture, assemble on a clean soft surface like a blanket, carpet, or the flattened cardboard box the furniture was shipped in.
3. **Start all bolts by hand to ensure proper alignment and to prevent cross threading.** Then using the Allen Key or Loll Tool, tighten until you feel resistance.
4. Bolts should not be forced, but some components, particularly the blocks will need a bit of muscle to get them together as they are machined for a snug fit. If parts are still not going together, please send us a photo of the part you are having trouble with.
5. You can use a cordless screw gun if you have one and know how to use it. Set the clutch setting at low to medium torque. **We do not recommend using an electric drill without a clutch** to install bolts as you can easily overtighten and damage the product.

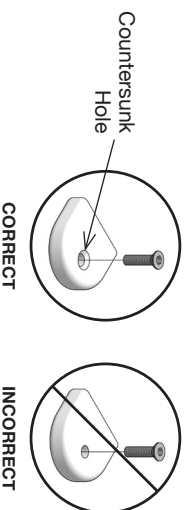
### LOLL TOOL

Locate the box marked "Tool Included" before beginning assembly.



### BLOCK & BOLT INSTALLATION

Insert bolts through countersunk hole side of blocks as shown below.



*"Loll Designs inspires people to appreciate the outdoors."*

Greg Benson - Founder/CEO

### RECYCLE THE PACKAGING

We've gone through great lengths to make as much of our packaging as possible recyclable. The cardboard box, paper wrap, filler and paper bags can all go in your recycling bin. The muslin hardware bags replaced plastic bags with the intention of reducing plastic and encouraging reuse. Loll Designs and Planet Earth thank you!

### WE WANT YOU TO LOVE YOUR LOLL

For more info and visual aids, watch the assembly videos at [www.lollidesigns.com/videos](http://www.lollidesigns.com/videos)  
For product care & maintenance, visit [www.lollidesigns.com/care-maintenance](http://www.lollidesigns.com/care-maintenance)  
For further lollygagging assistance, please reach out!

+1 877-740-3387  
[sales@lollidesigns.com](mailto:sales@lollidesigns.com)

5912 Waseca Street  
Duluth, Minnesota 55807

MADE IN THE USA



## CLOTH BAG ASSEMBLY PACK

\*Bolts & Tools shown actual size.

|  |   |   |   |
|--|---|---|---|
| <p><b>PAPER BAG</b><br/>7/8" FLAT HEAD BOLT</p> <p>5/32"</p> <p>7/8" FLAT HEAD<br/>2 SEATER 3 SEATER<br/>26x 34x</p> | <p><b>PAPER BAG</b><br/>1 3/8" FLAT HEAD BOLT</p> <p>1 3/8" FLAT HEAD<br/>2 SEATER 3 SEATER<br/>1x 2x</p> | <p><b>BB</b><br/>2 SEATER 3 SEATER<br/>8x 12x</p> <p><b>L-P12</b><br/>2 SEATER 3 SEATER<br/>1x 2x</p> <p><b>GB</b><br/>6x</p> | <p><b>PAPER BAG</b><br/>1/2" BUTTON HEAD BOLTS</p> <p><b>MB</b><br/>2 SEATER 3 SEATER<br/>3x 4x</p> <p>1/2" BUTTON HEAD<br/>2 SEATER 3 SEATER<br/>3x 4x</p> |
|--|---|---|---|

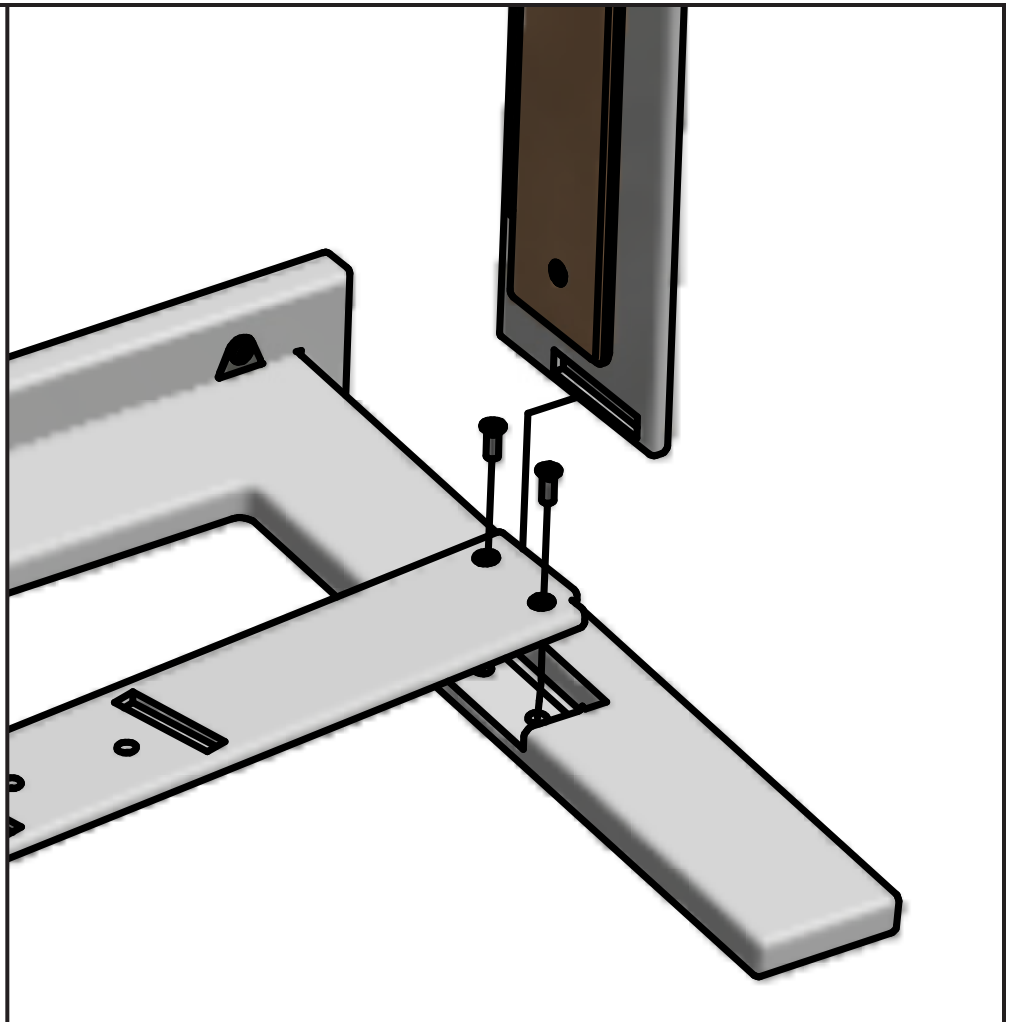
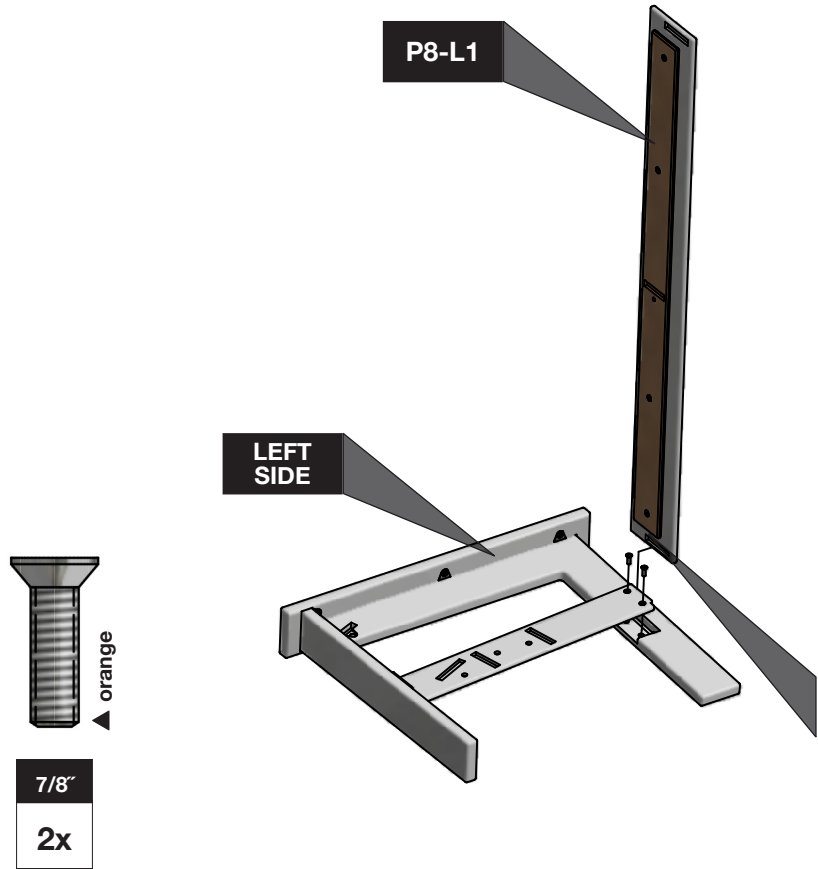
### ASSEMBLY INSTRUCTIONS & PRODUCT INFO:

### HENNEPIN 2 & 3 SEATER

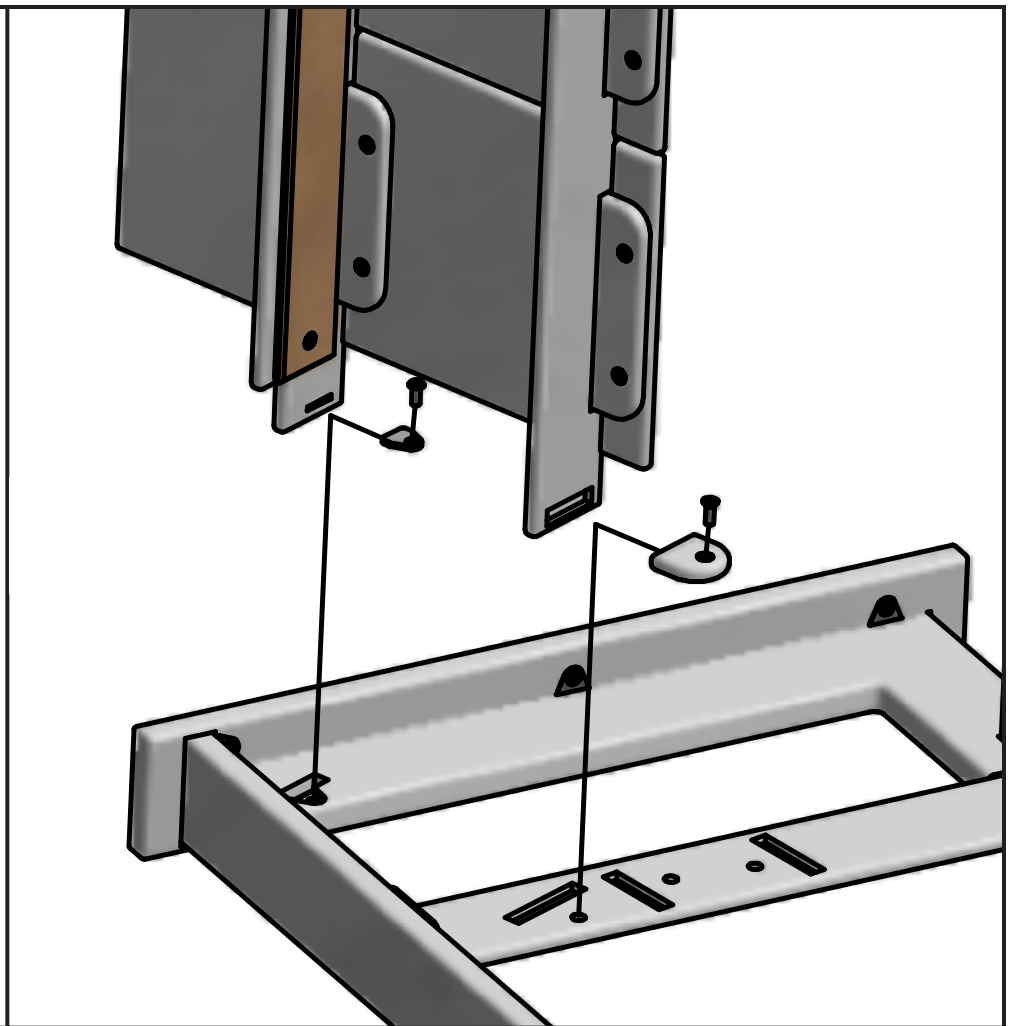
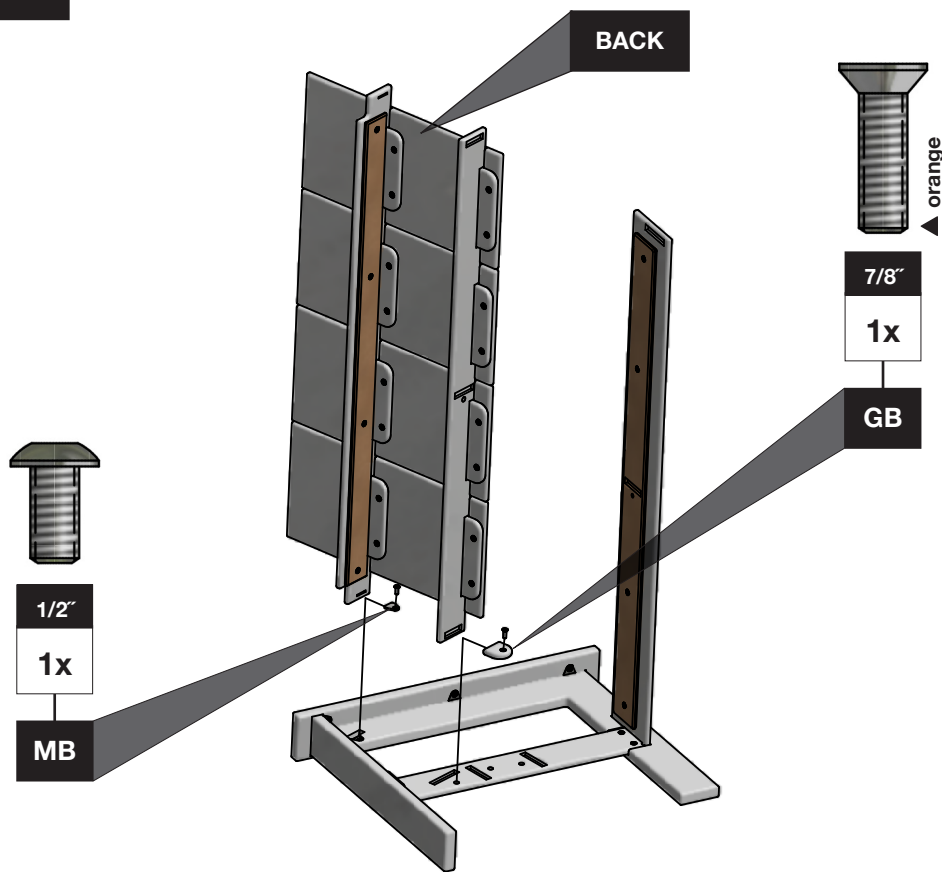


LOLL  
DESIGNS

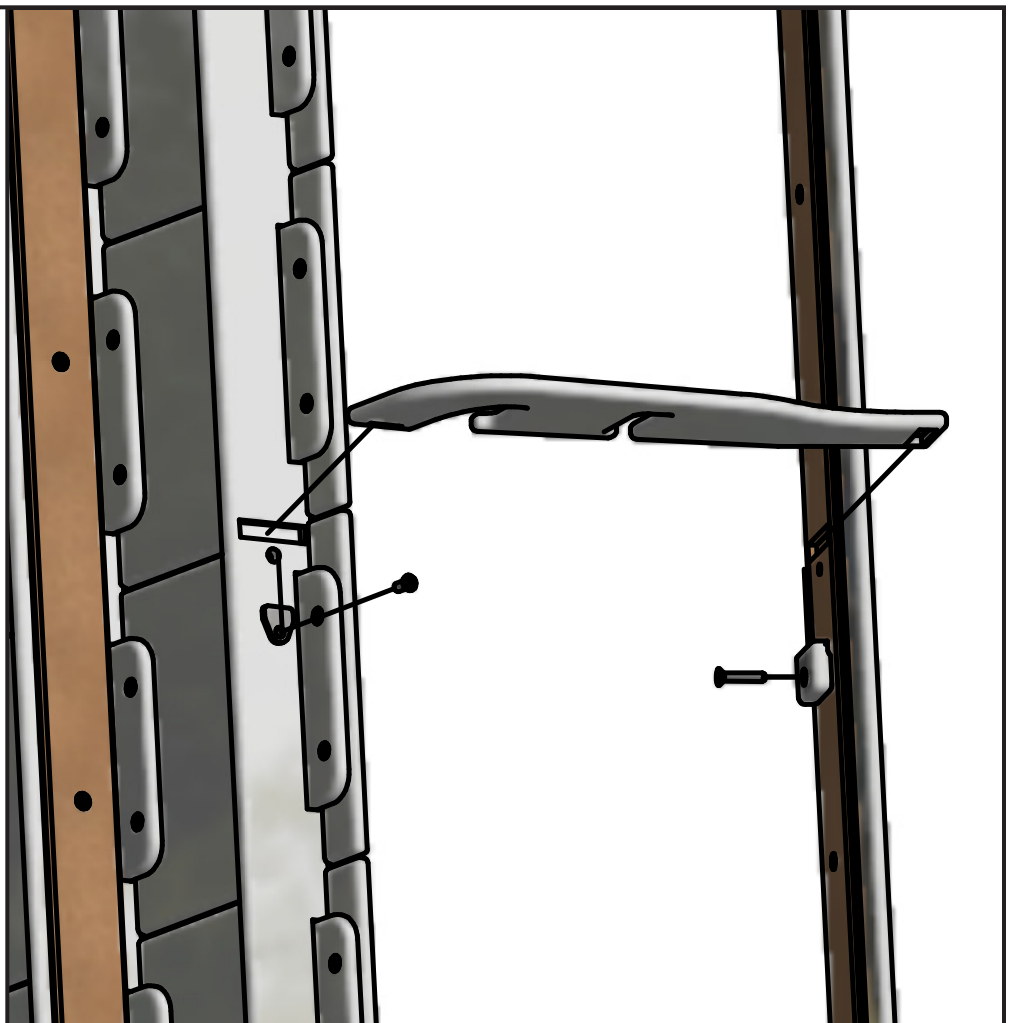
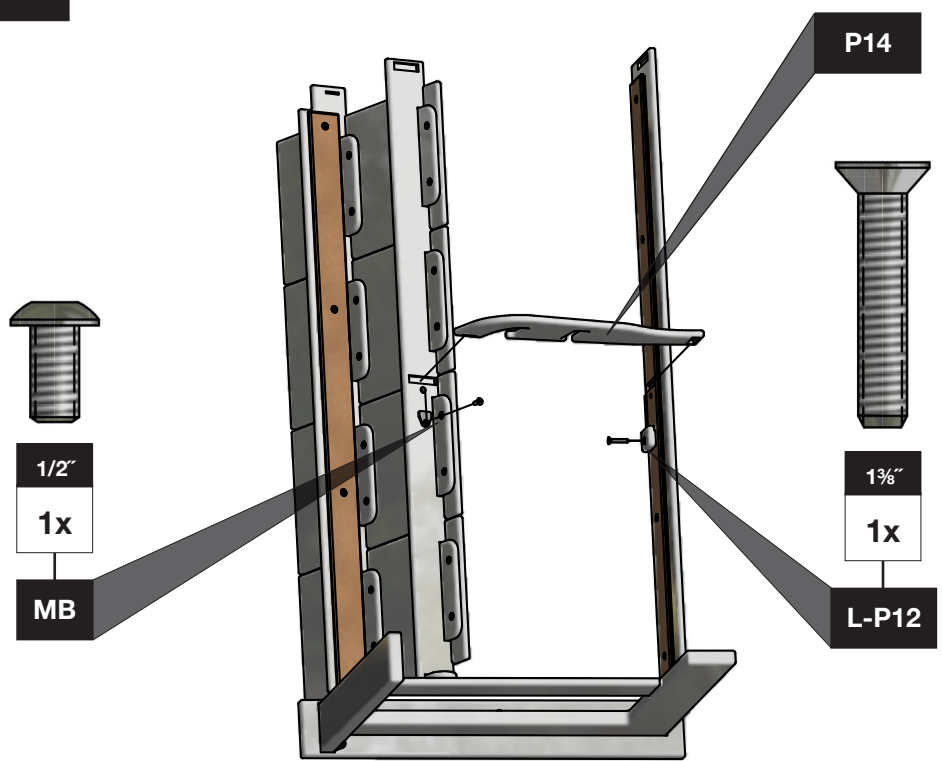
1



2



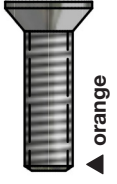
3



\*\*\* 3 Seater = 2x (P14, MB, L-P12, Bolts)

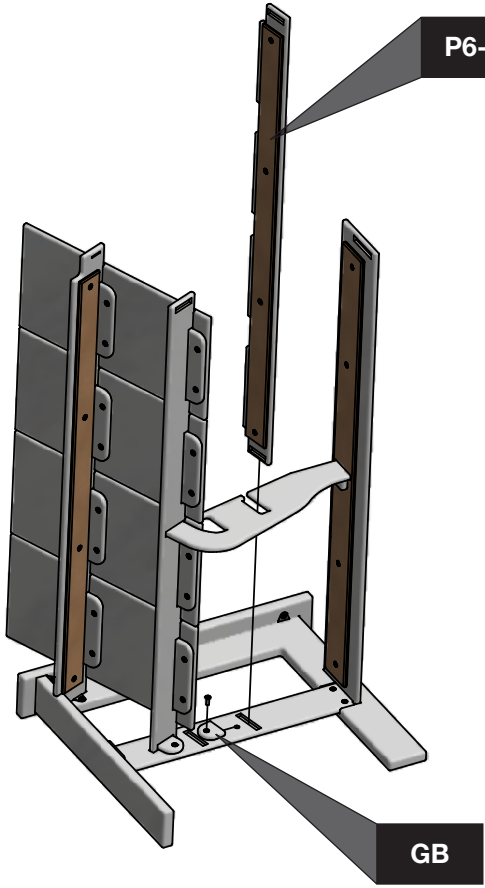
4

P6-L2

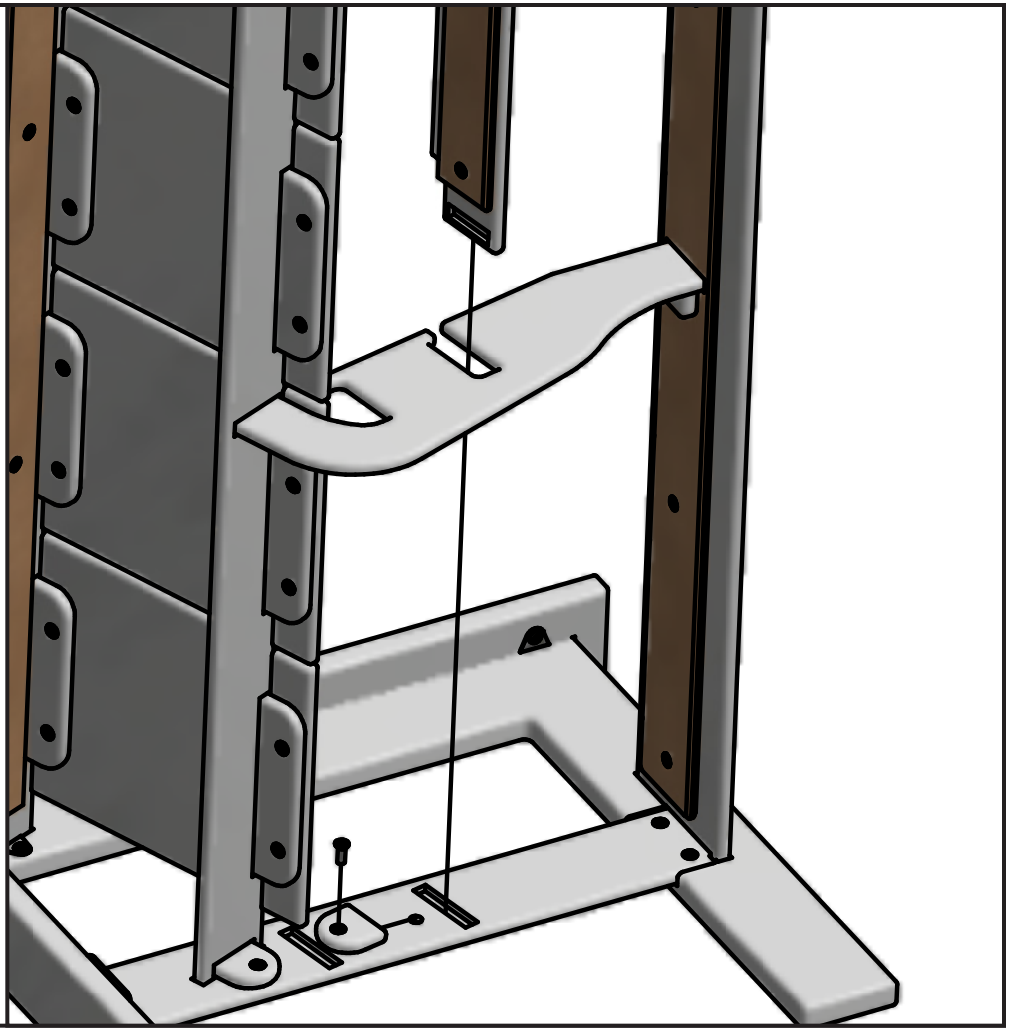


7/8"

1x

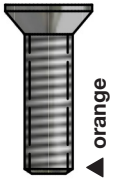


GB



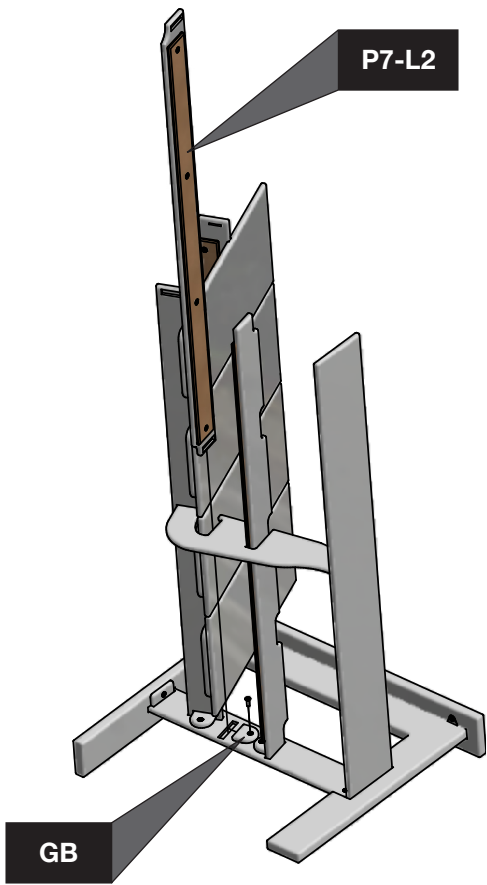
5

P7-L2

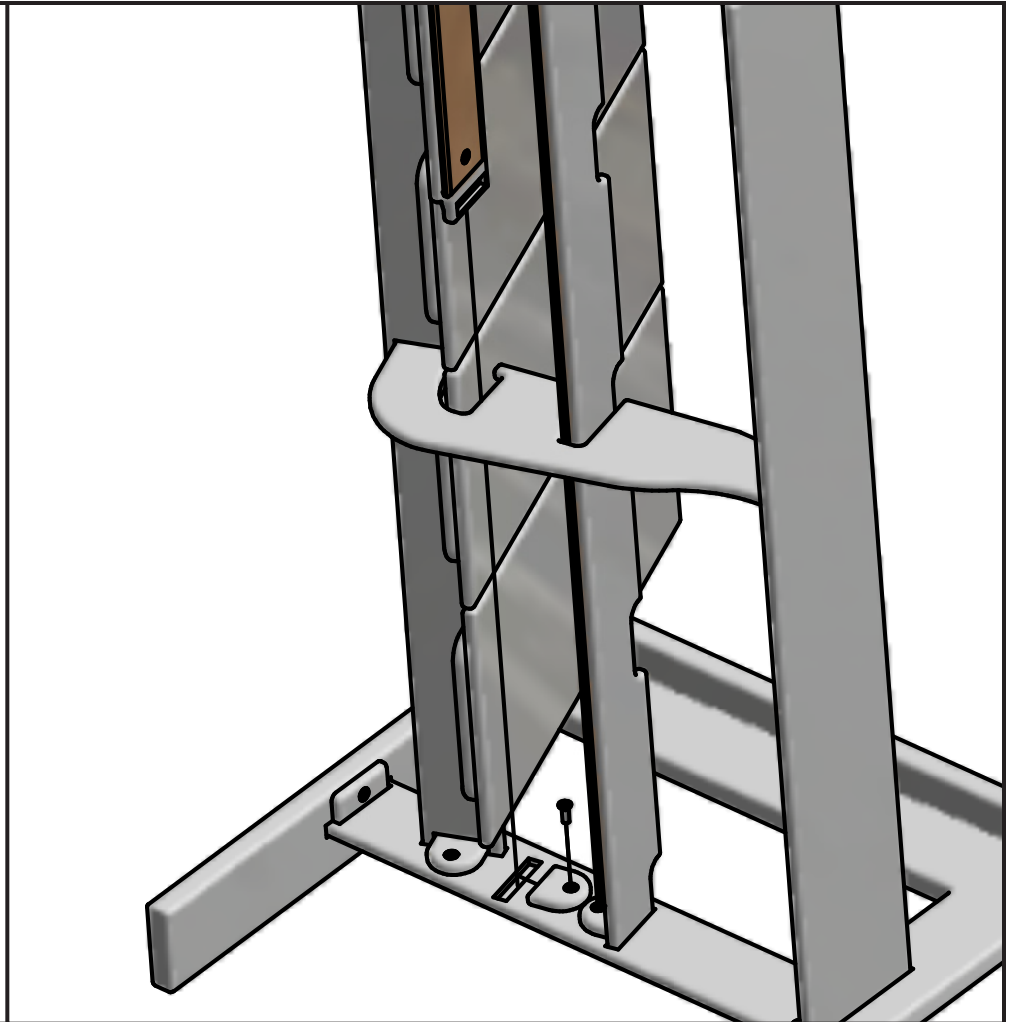


7/8"

1x

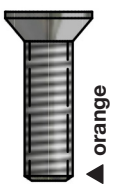


GB



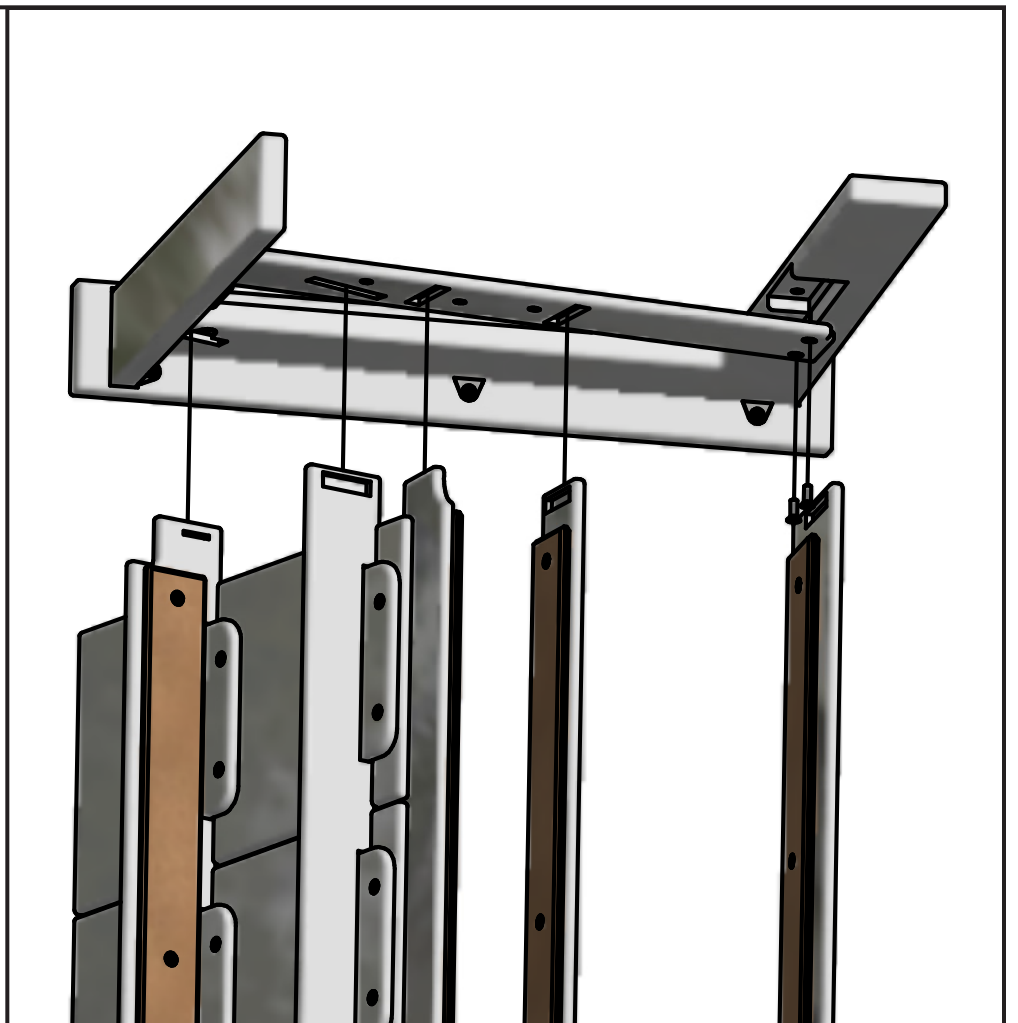
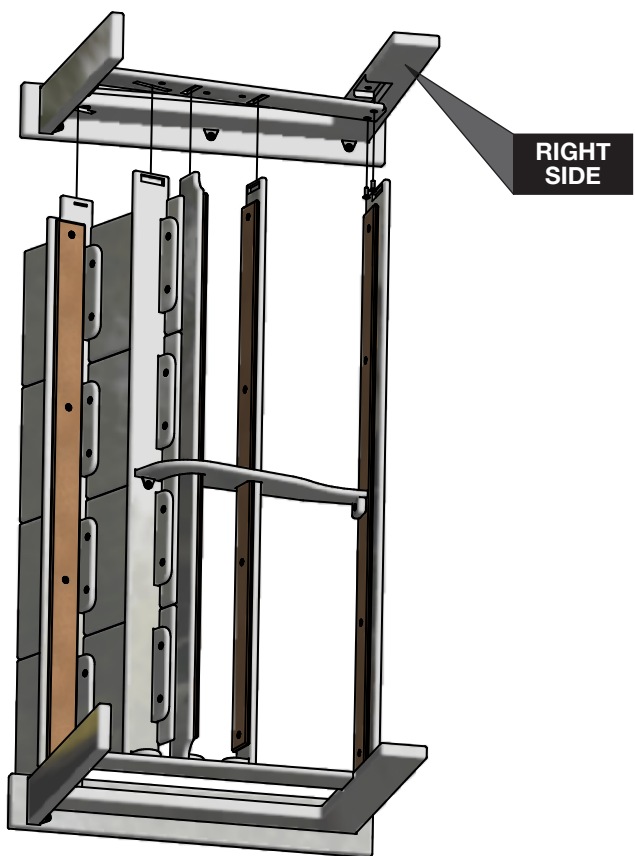
6

RIGHT SIDE

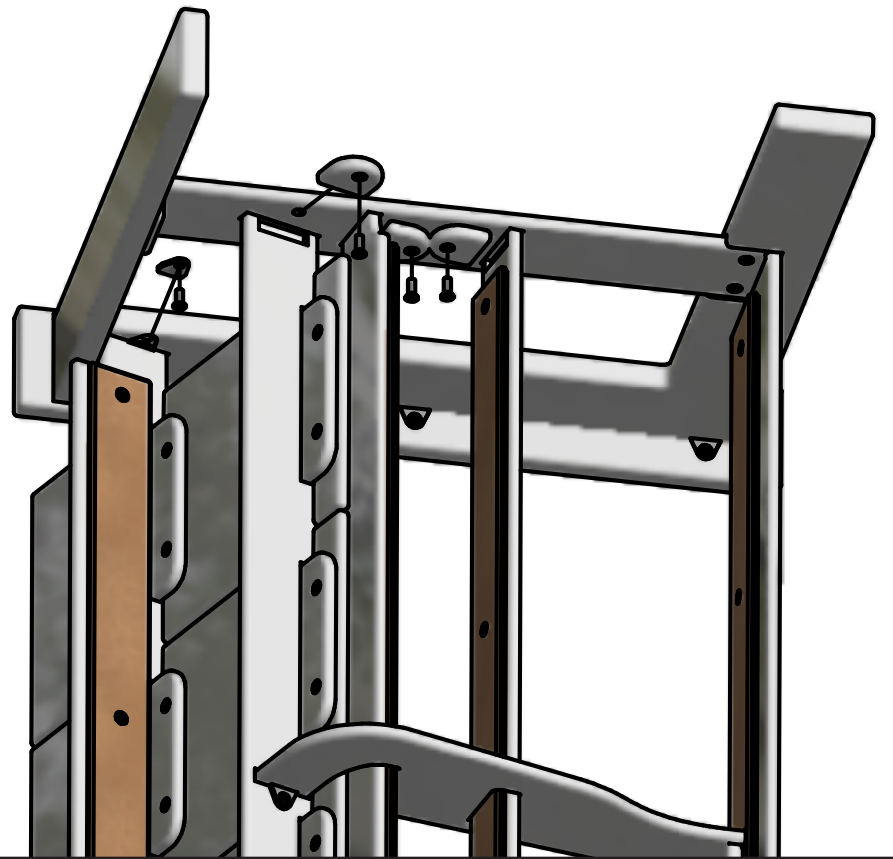
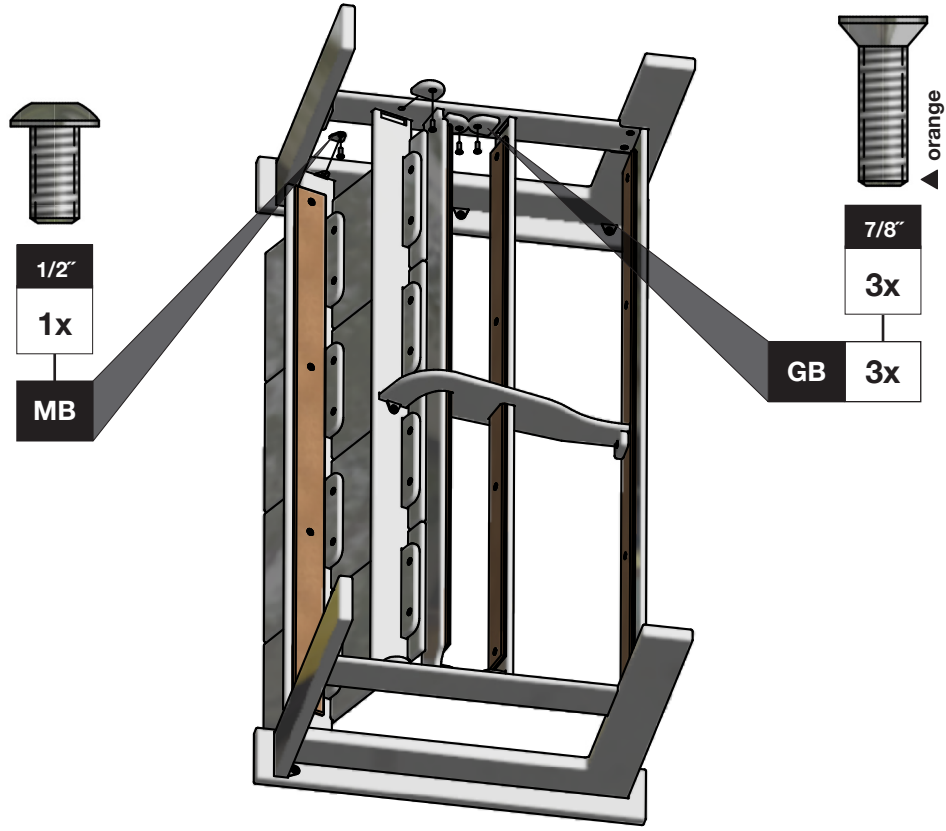


7/8"

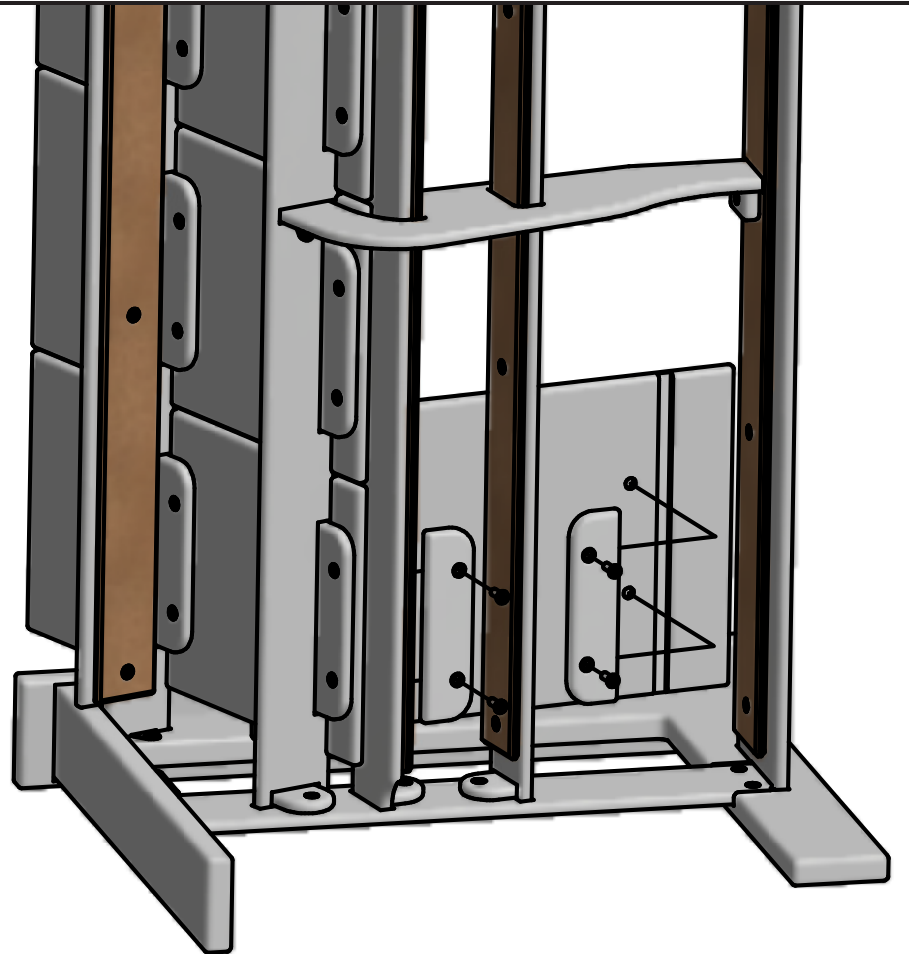
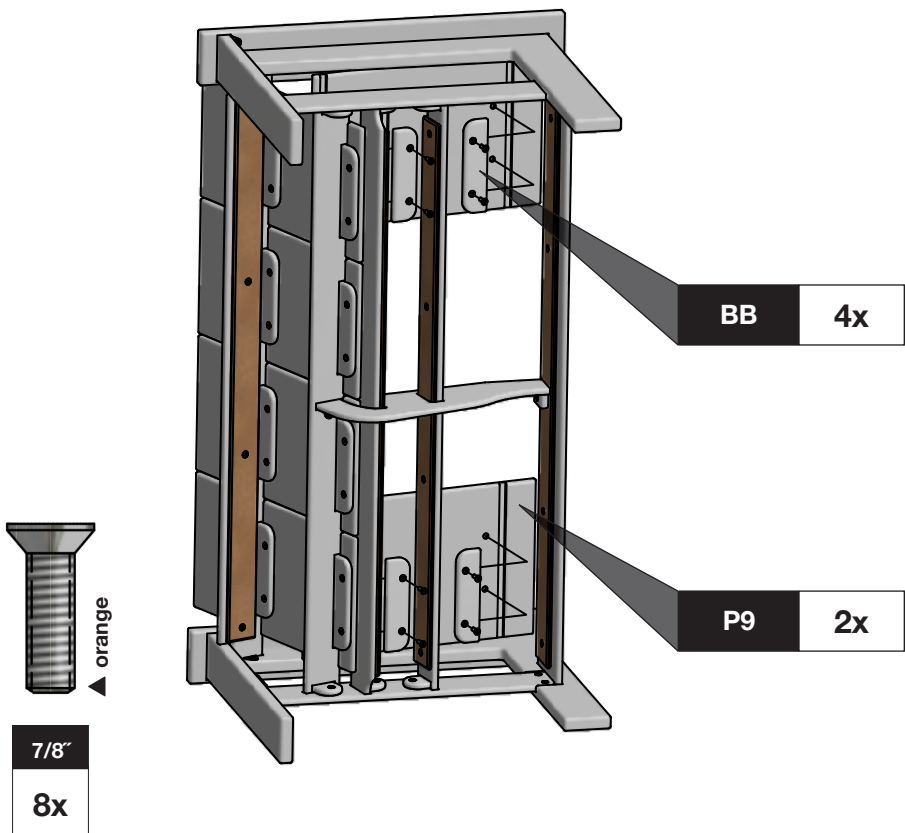
2x



7



8



9

