



charcoal: ST-HS-CG



black: ST-HS-BL



cloud: ST-HS-CW



leaf: ST-HS-LG



apple red: ST-HS-AR



driftwood: ST-HS-DW



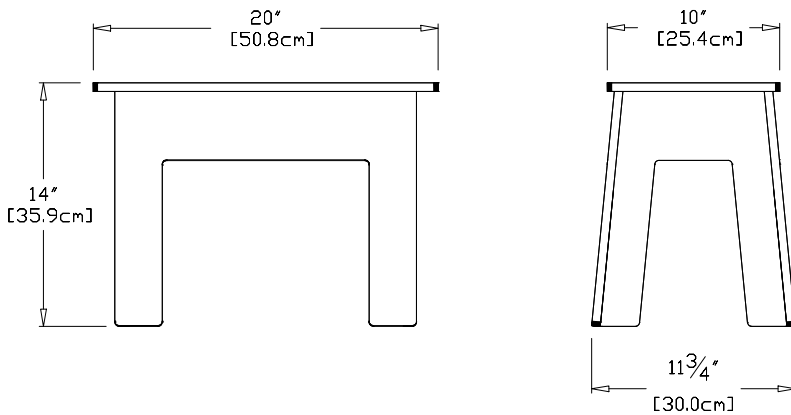
navy blue: ST-HS-NB



sky: ST-HS-SB



sunset: ST-HS-OR



collection: accessories

material: 100% recycled HDPE

dimensions: width: 20" (50.8cm)
depth: 11.75" (30.0cm)
height: 14" (35.9cm)

weight: 11 lbs (5.0kg)



88
reclaimed
milk jugs

shipping dimensions: 24" x 4" x 14"
shipping weight: 11 lbs (5.0kg)



flat pack shipped
some assembly required

