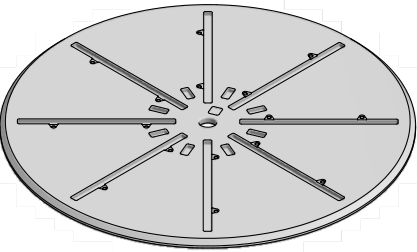
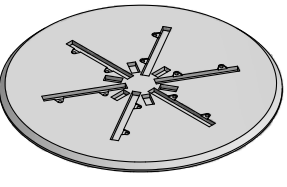
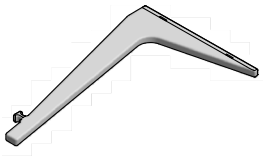
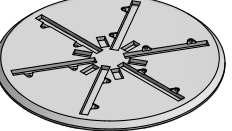
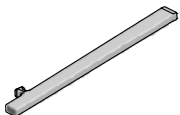
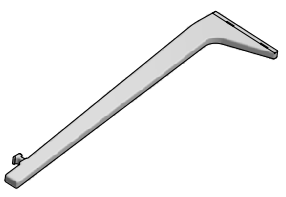
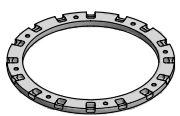
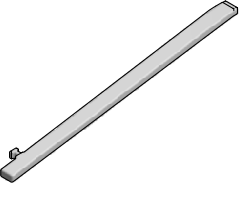
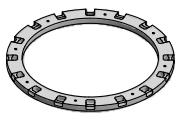
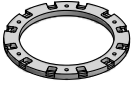
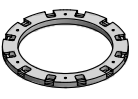
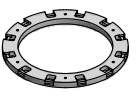
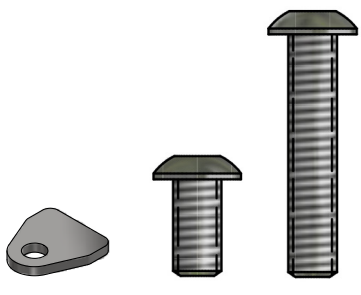
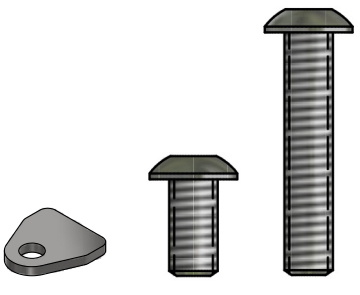


INCLUDED PARTS

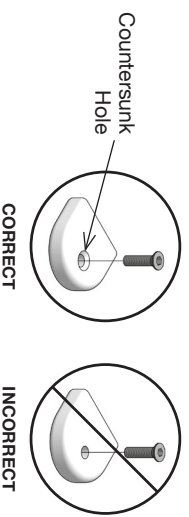
Dining Table	Bar Table
	
P1 1x	P1 1x TOP 32\"
	
P5 8x	P1 1x TOP 26\"
	
P4 8x	P5 6x
	
P3 1x INSERTS	P4 6x
	
P2 1x BOLT HOLES	P3 1x INSERTS
	
P2 1x BOLT HOLES	P2 1x BOLT HOLES
	
MB 16x	MB 12x
1.25\" 16x	1.25\" 12x
1.25\" 8x	1.25\" 6x
*Bolt shown actual size.	

ASSEMBLY TIPS: 5 Important Points You NEED to Read

1. Prior to beginning assembly, please inspect and inventory the parts to make sure you have everything and that nothing was damaged during shipping. If damage has occurred, please take photos and go to lollidesigns.com/damage. Rest assured we'll get it taken care of straight away!
2. To avoid scratching furniture, assemble on a clean, soft surface like a blanket, carpet, or the flattened cardboard box the furniture was shipped in.
3. **Start all bolts by hand to ensure proper alignment and to prevent cross threading.** Then using the provided tool, tighten until you feel resistance. Do not overtighten.
4. Bolts should not be forced, but some components, particularly blocks, fit snug but can still be installed without tools or excess force.
5. If parts are still not going together, please send us a photo of the part you are having trouble with.

BLOCK & BOLT INSTALLATION

Insert bolts through countersunk hole side of blocks as shown below.



"Loll Designs inspires people to appreciate the outdoors."

Greg Benson - Founder

♻️ RECYCLE THE PACKAGING

We've gone through great lengths to make as much of our packaging as possible recyclable. The cardboard box, paper wrap, filler and paper bags can all go in your recycling bin. The muslin hardware bags replaced plastic bags with the intention of reducing plastic and encouraging reuse. Loll Designs and Planet Earth thank you!

WE WANT YOU TO LOVE YOUR LOLL

For more info and visual aids, watch the assembly videos at www.lollidesigns.com/videos
For product care & maintenance, visit www.lollidesigns.com/care-maintenance
For further lollygagging assistance, please reach out!

+1 877-740-3387
sales@lollidesigns.com

5912 Waseca Street
Duluth, Minnesota 55807

ASSEMBLY INSTRUCTIONS & PRODUCT INFO:

GOOD COMPANY TABLE

MADE IN THE USA



ORIGINAL Member



it's good to be recycled

LOLL
DESIGNS

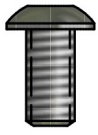
1

* Dining Table displayed in instruction images.

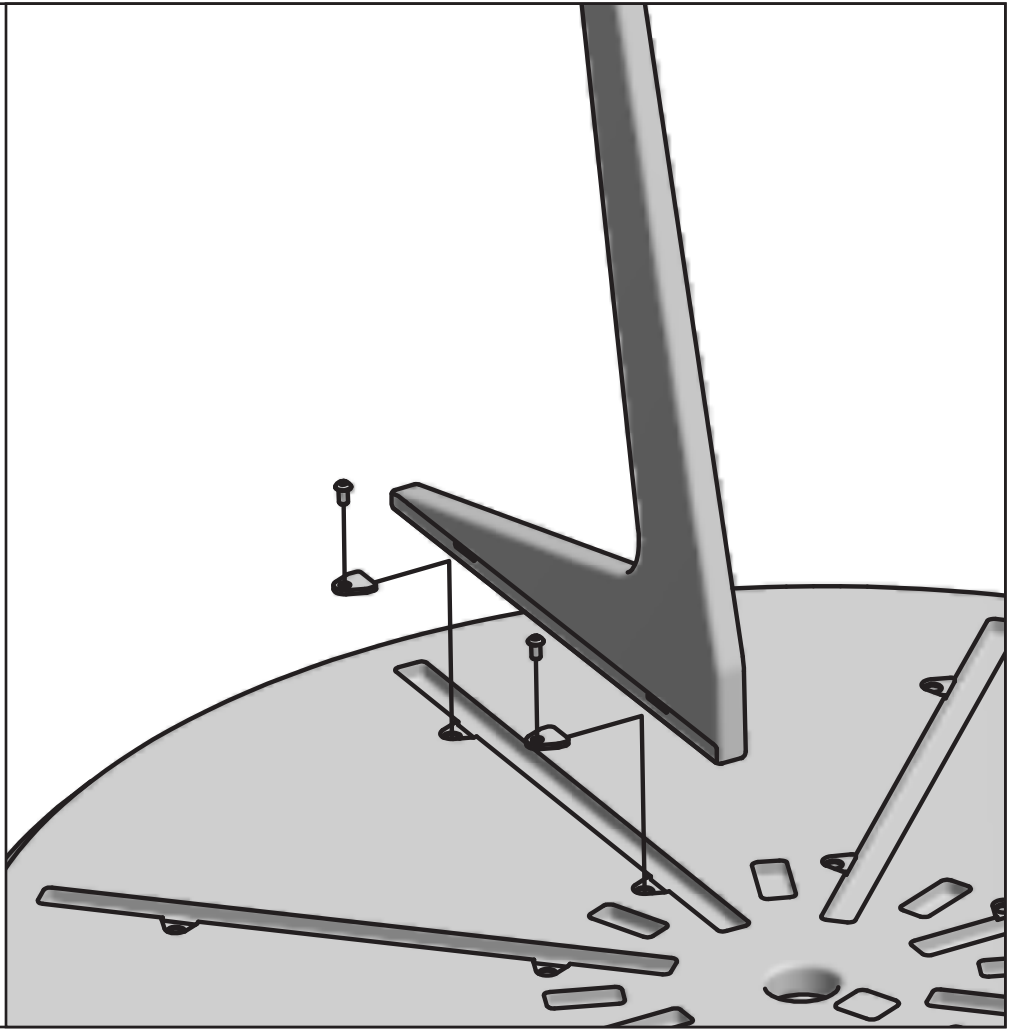
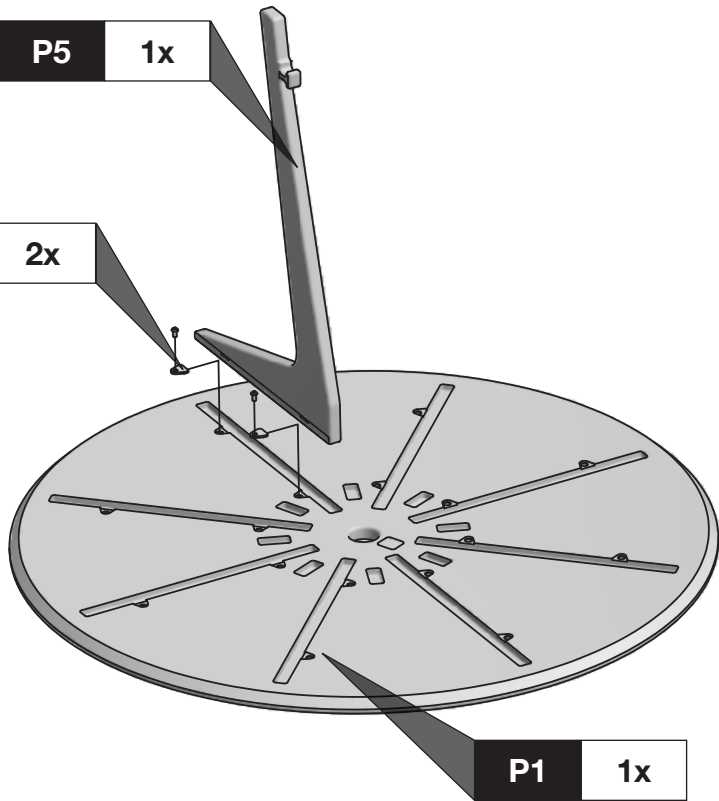
P5 1x

MB 2x

P1 1x



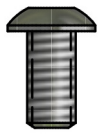
.5"	
Dining	Bar
2x	2x



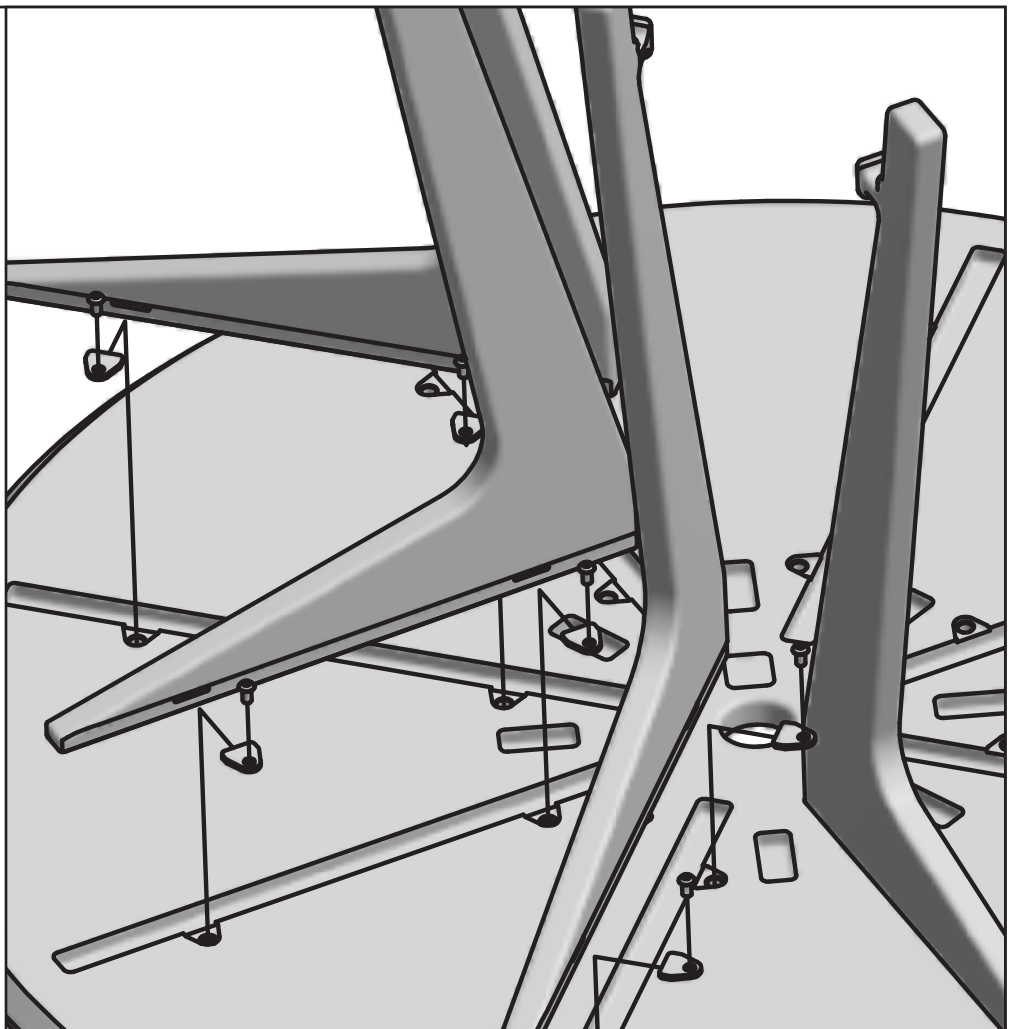
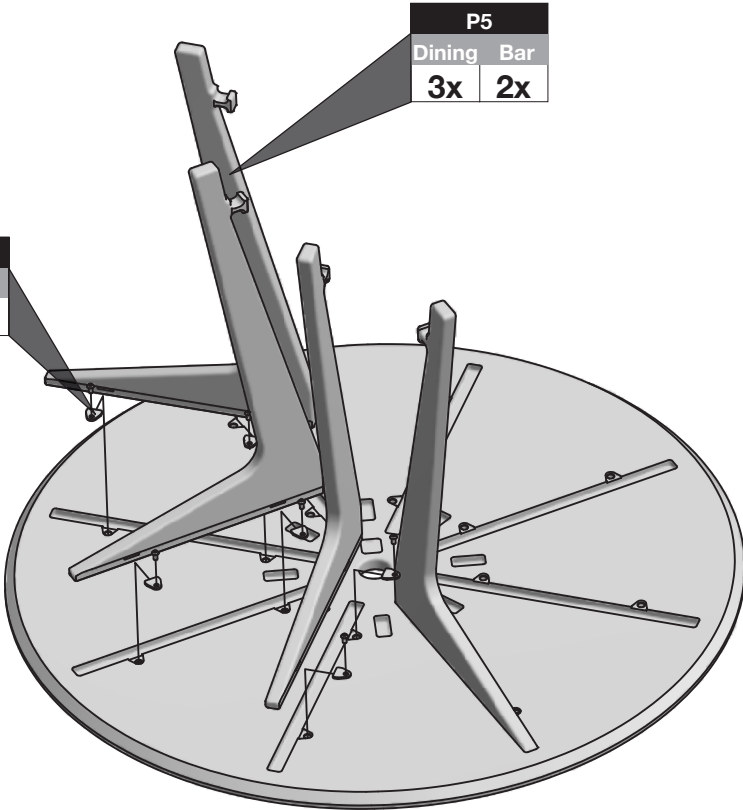
2

P5 Dining Bar 3x 2x

MB Dining Bar 6x 4x

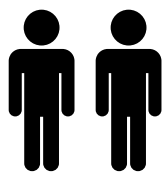


.5"	
Dining	Bar
6x	4x

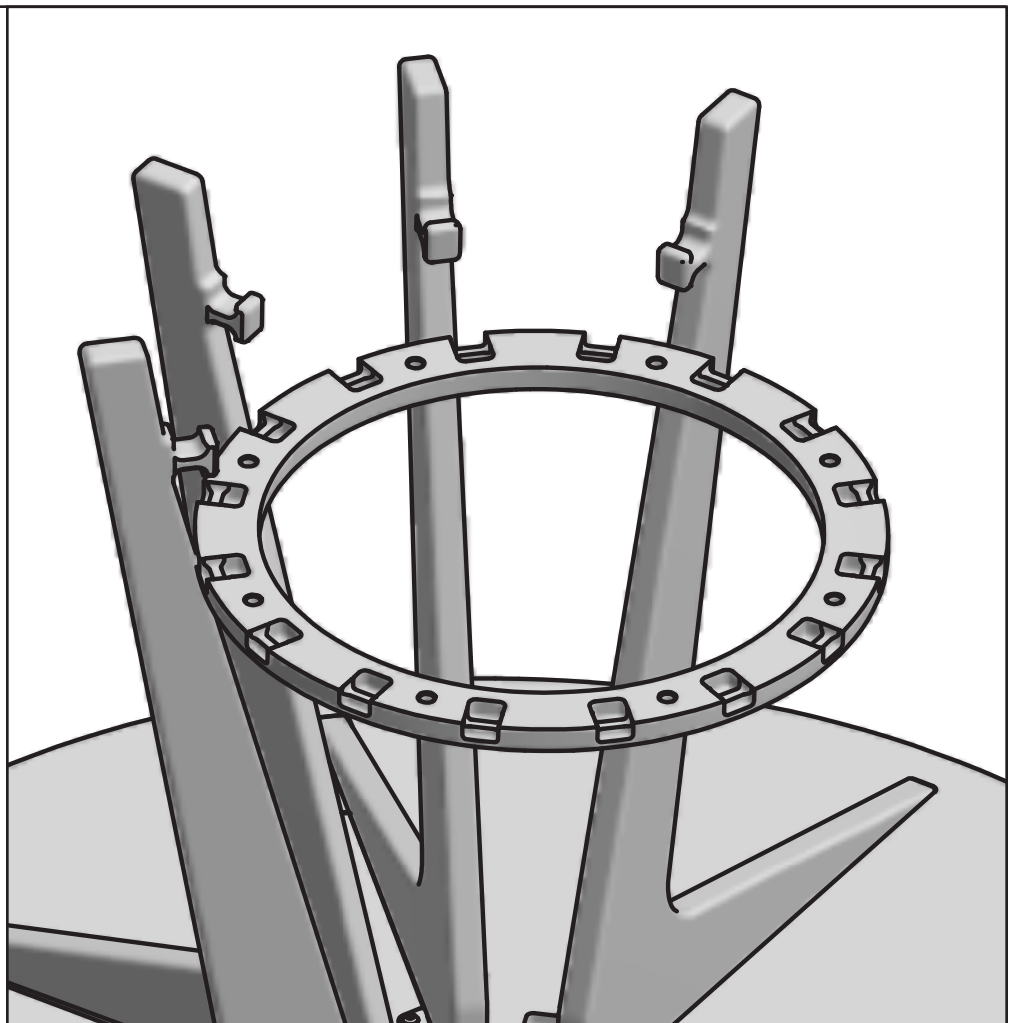
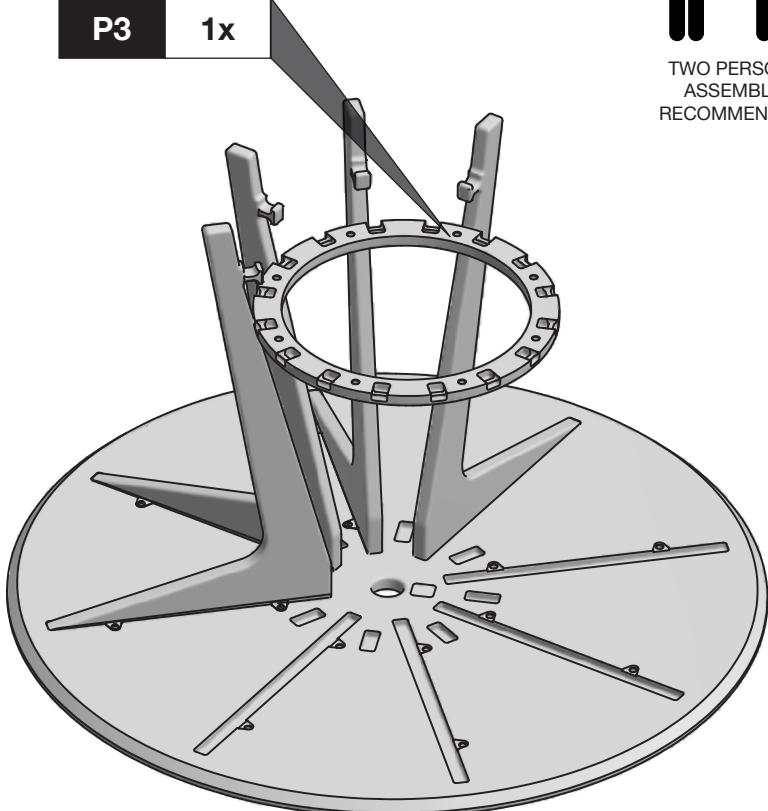


3

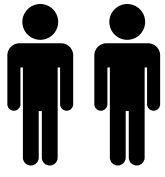
P3 1x



TWO PERSON ASSEMBLY RECOMMENDED



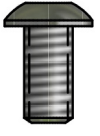
4



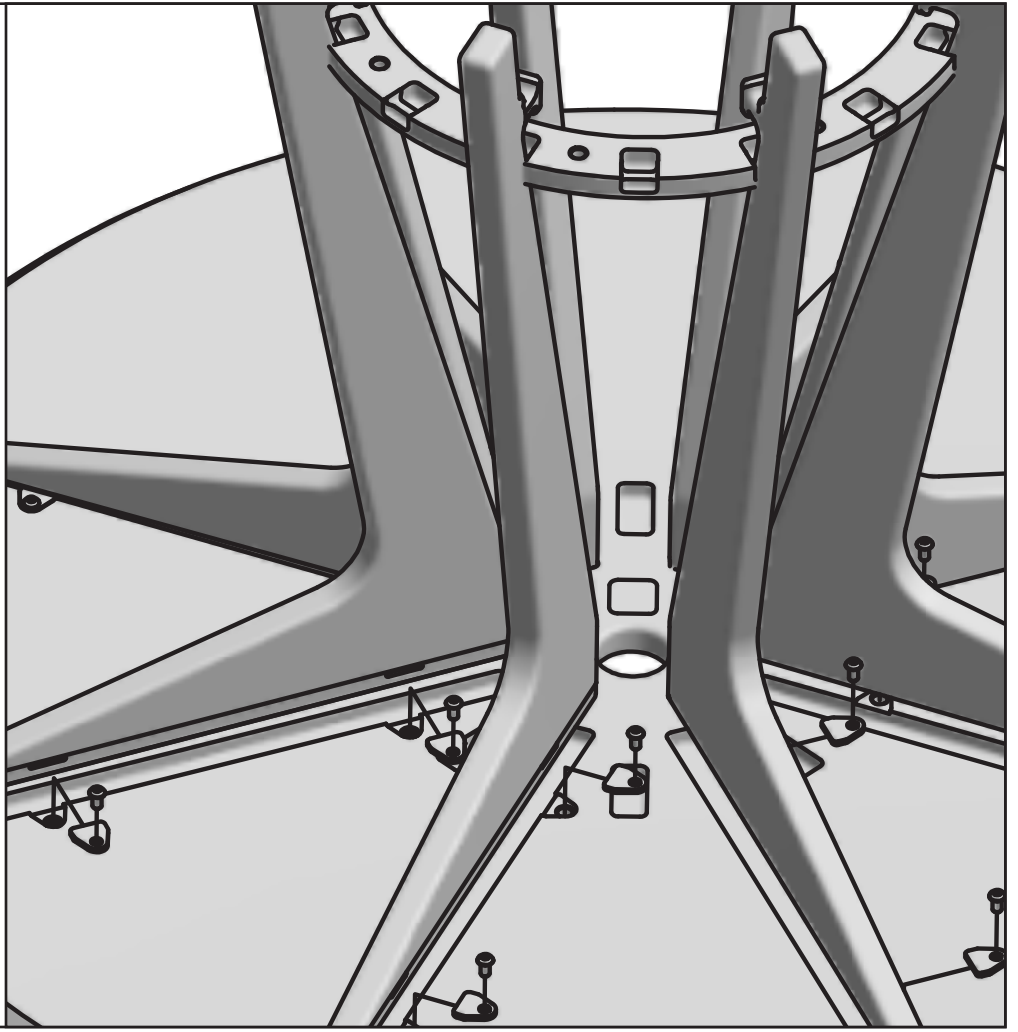
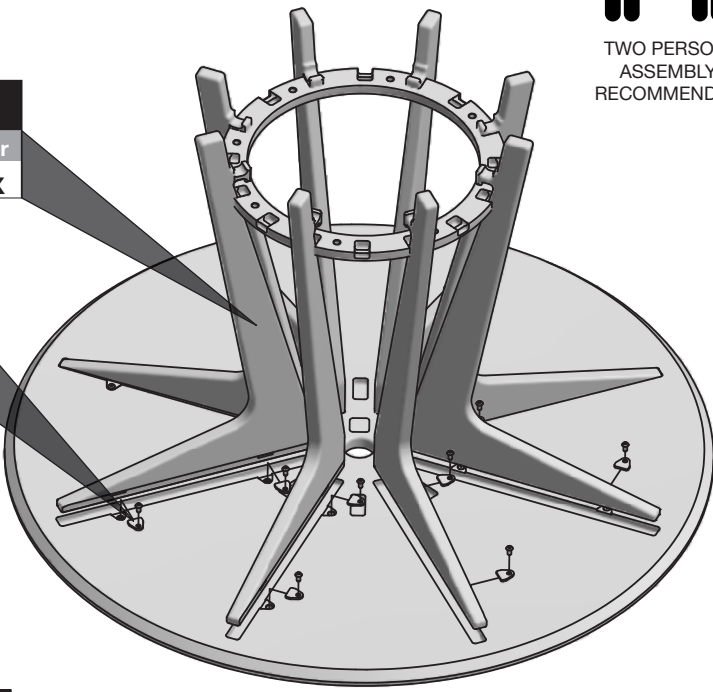
TWO PERSON ASSEMBLY RECOMMENDED

P5
Dining Bar
4x 3x

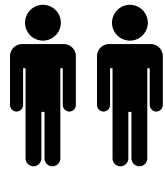
MB
Dining Bar
8x 6x



.5"
Dining Bar
8x 6x

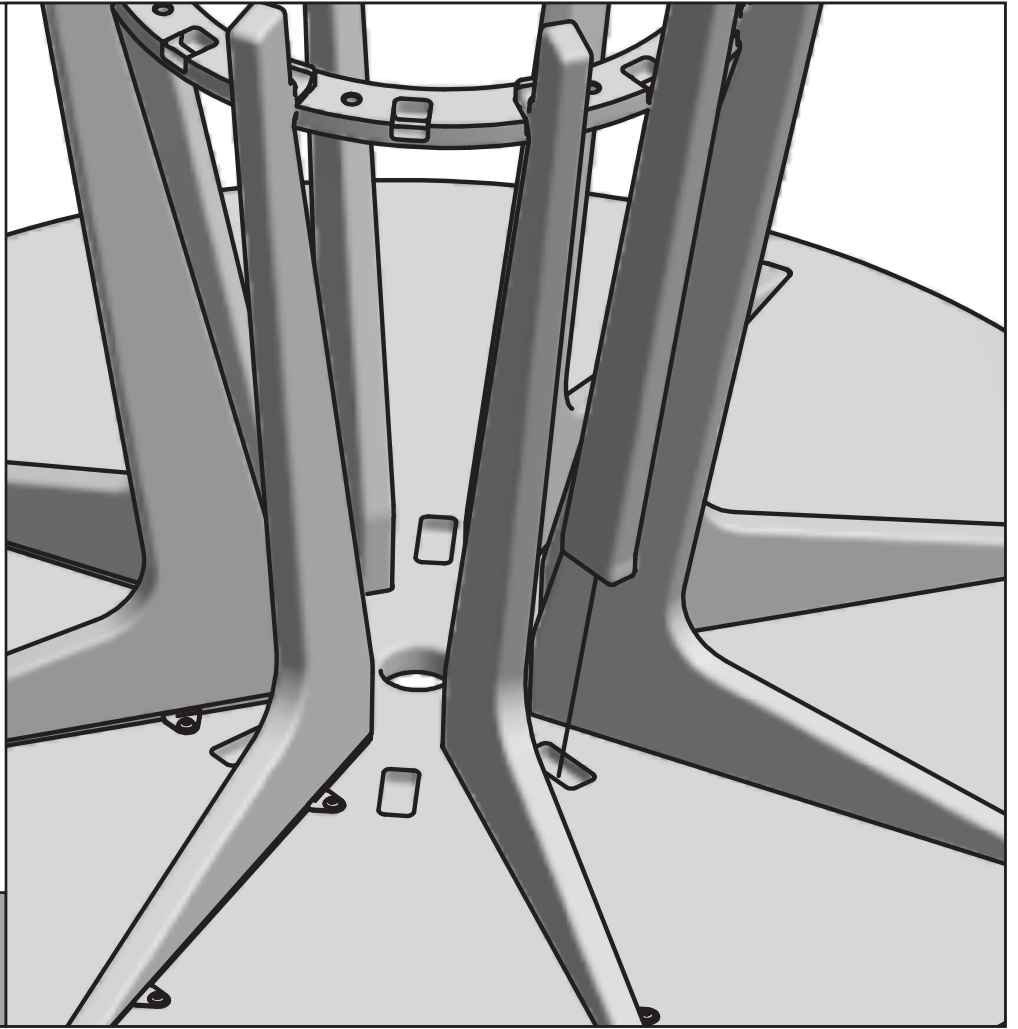
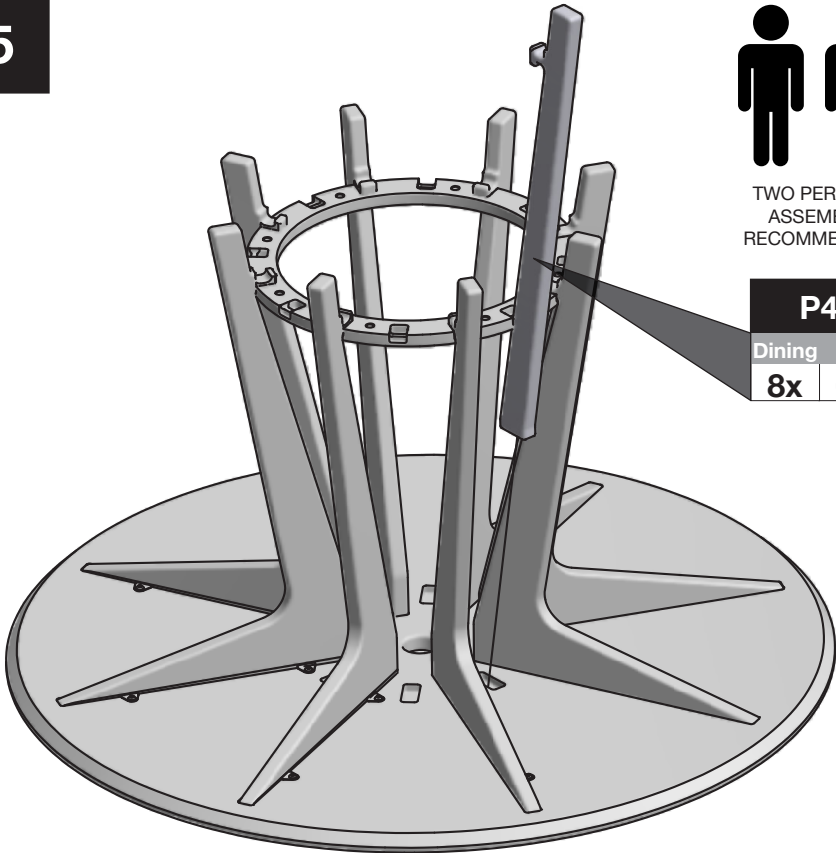


5



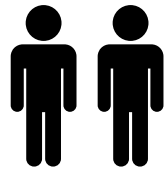
TWO PERSON ASSEMBLY RECOMMENDED

P4
Dining Bar
8x 6x



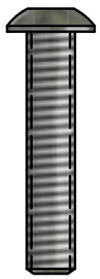
Repeat step 5 to attach remaining P4's

6



TWO PERSON ASSEMBLY RECOMMENDED

P2 1x



1.25"
Dining Bar
8x 6x

