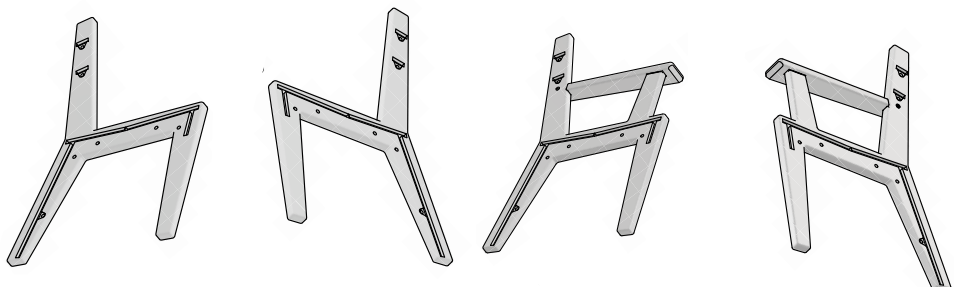


INCLUDED PARTS



Left Side
1x

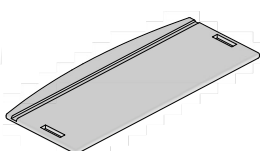
Right Side
1x

Left Side
1x

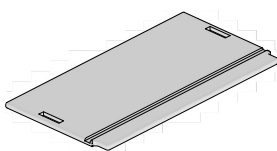
Right Side
1x

Dining Chair

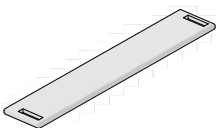
Dining Arm Chair



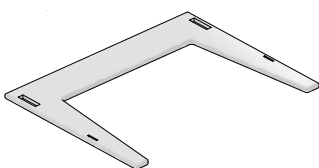
P2
1x



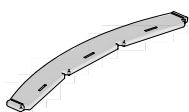
P3
1x



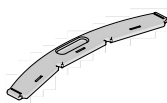
P4
1x



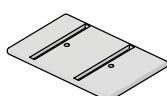
P6
1x



P5
1x



P6
1x



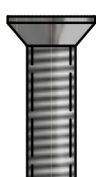
P8
3x



GB
8x



MB
12x



7/8"
8x



1/2"
12x

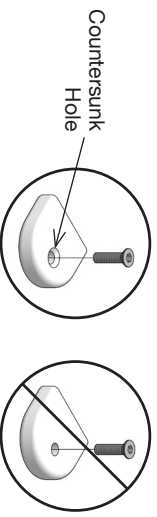
*Bolts shown actual size.

ASSEMBLY TIPS: 5 Important Points You **NEED** to Read

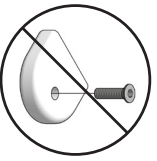
1. Prior to beginning assembly, please inspect and inventory the parts to make sure you have everything and that nothing was damaged during shipping. If damage has occurred, please take photos and go to lollidesigns.com/damage. Rest assured we'll get it taken care of straight away!
2. To avoid scratching furniture, assemble on a clean, soft surface like a blanket, carpet, or the flattened cardboard box the furniture was shipped in.
3. **Start all bolts by hand to ensure proper alignment and to prevent cross threading.** Then using the provided tool, tighten until you feel resistance. Do not overtighten.
4. Bolts should not be forced, but some components, particularly blocks, fit snug but can still be installed without tools or excess force.
5. If parts are still not going together, please send us a photo of the part you are having trouble with.

BLOCK & BOLT INSTALLATION

Insert bolts through countersunk hole side of blocks as shown below.



CORRECT



INCORRECT

"Loll Designs inspires people to appreciate the outdoors."

Greg Benson - Founder

♻️ RECYCLE THE PACKAGING

We've gone through great lengths to make as much of our packaging as possible recyclable. The cardboard box, paper wrap, filler and paper bags can all go in your recycling bin. The muslin hardware bags replaced plastic bags with the intention of reducing plastic and encouraging reuse. Loll Designs and Planet Earth thank you!

WE WANT YOU TO LOVE YOUR LOLL

For more info and visual aids, watch the assembly videos at www.lollidesigns.com/videos. For product care & maintenance, visit www.lollidesigns.com/care-maintenance. For further lollygagging assistance, please reach out!

+1 877-740-3387

sales@lollidesigns.com

5912 Waseca Street
Duluth, Minnesota 55807

ASSEMBLY INSTRUCTIONS & PRODUCT INFO:

FREDRICKSONN DINING CHAIR & DINING ARM CHAIR



LOLL
DESIGNS

MADE IN THE USA



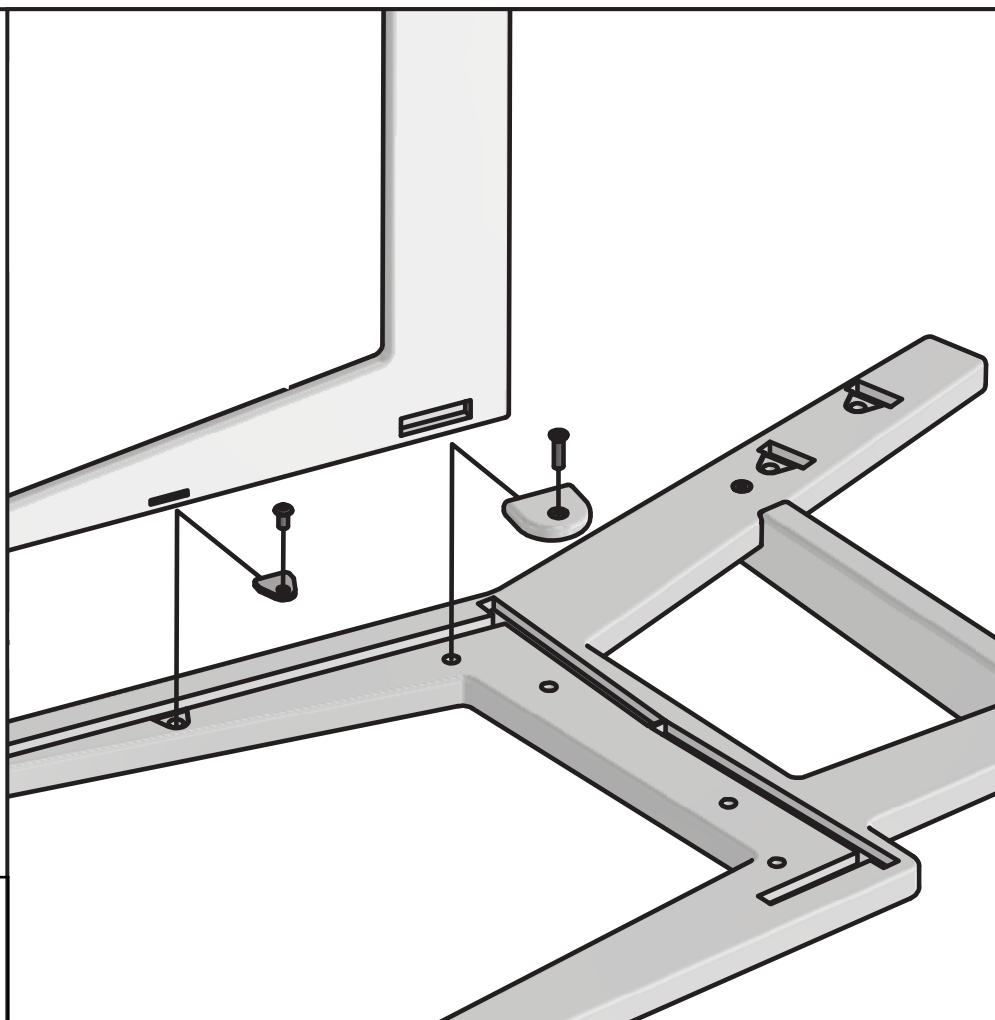
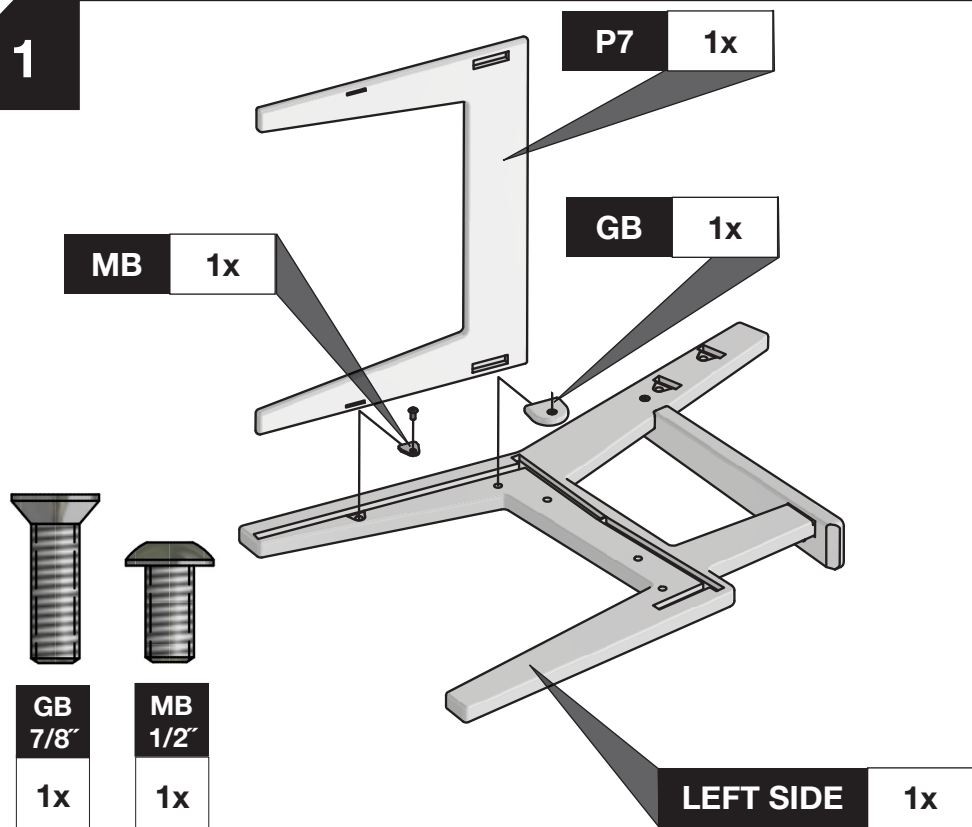
ORIGINAL Member

1% FOR THE PLANET MEMBER #510

it's good to be recycled

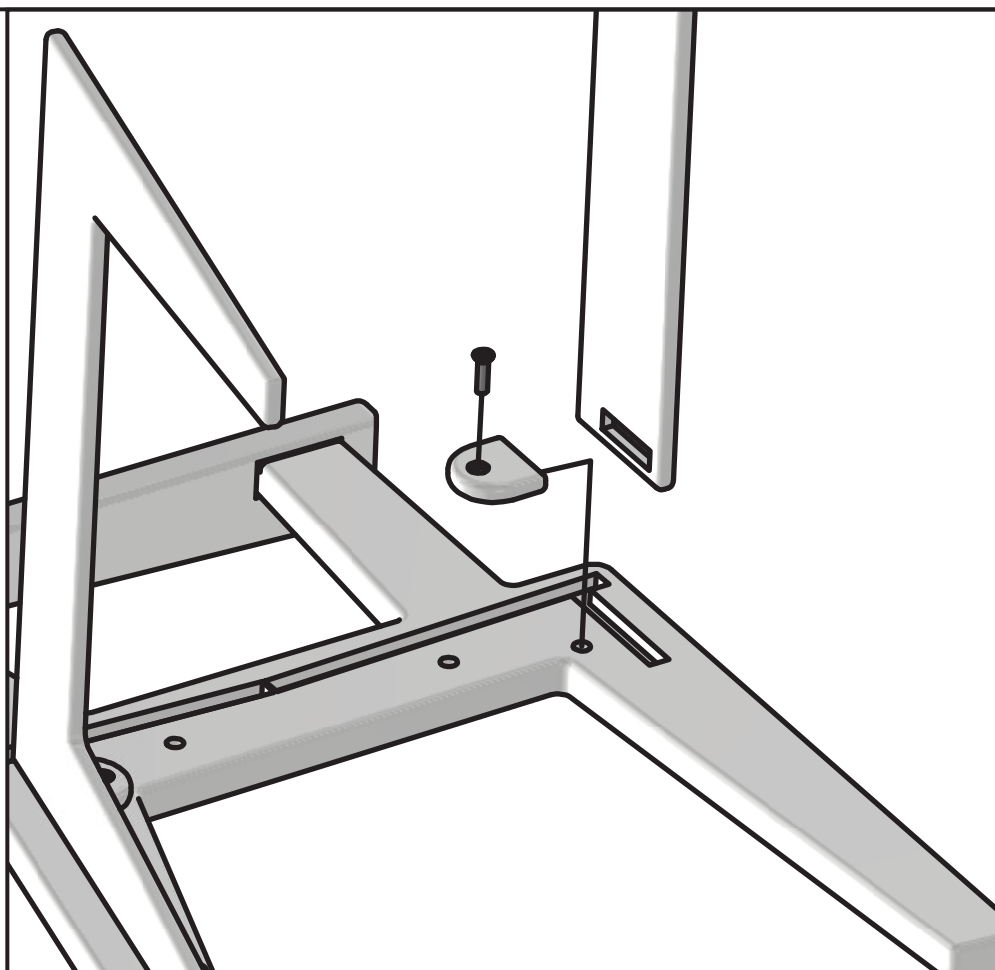
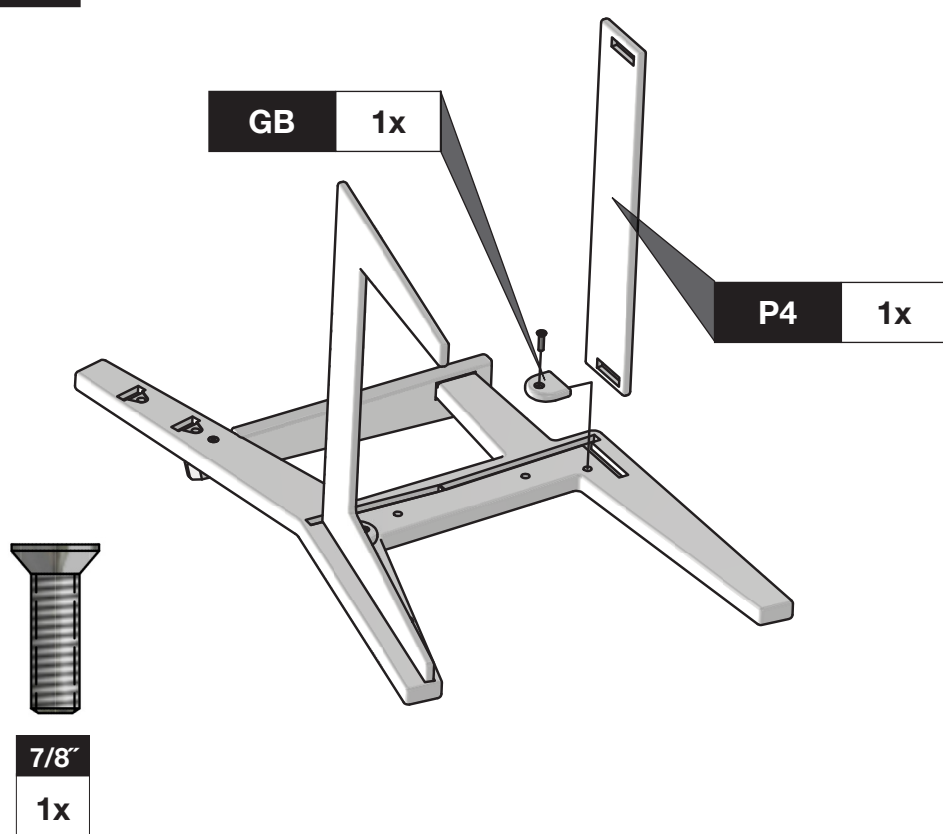
ASSEMBLY INSTRUCTIONS

1

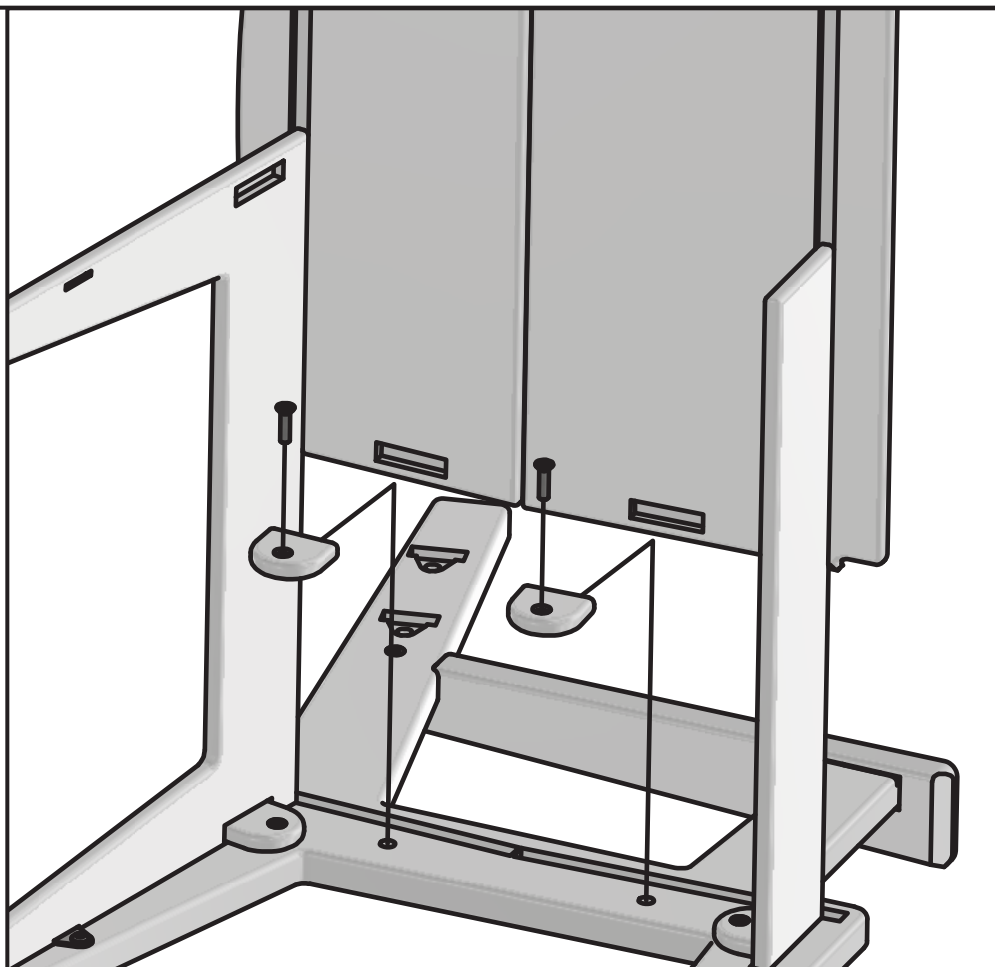
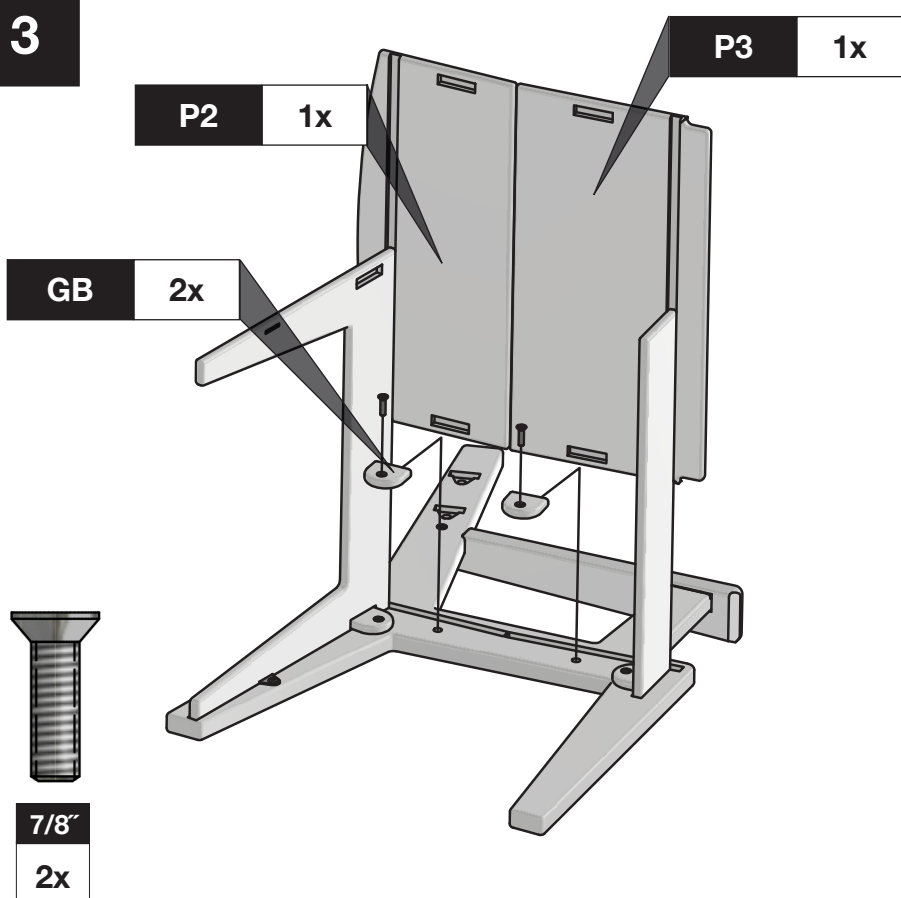


*showing instructions for the dining arm chair

2



3

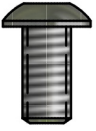


4

P6 1x

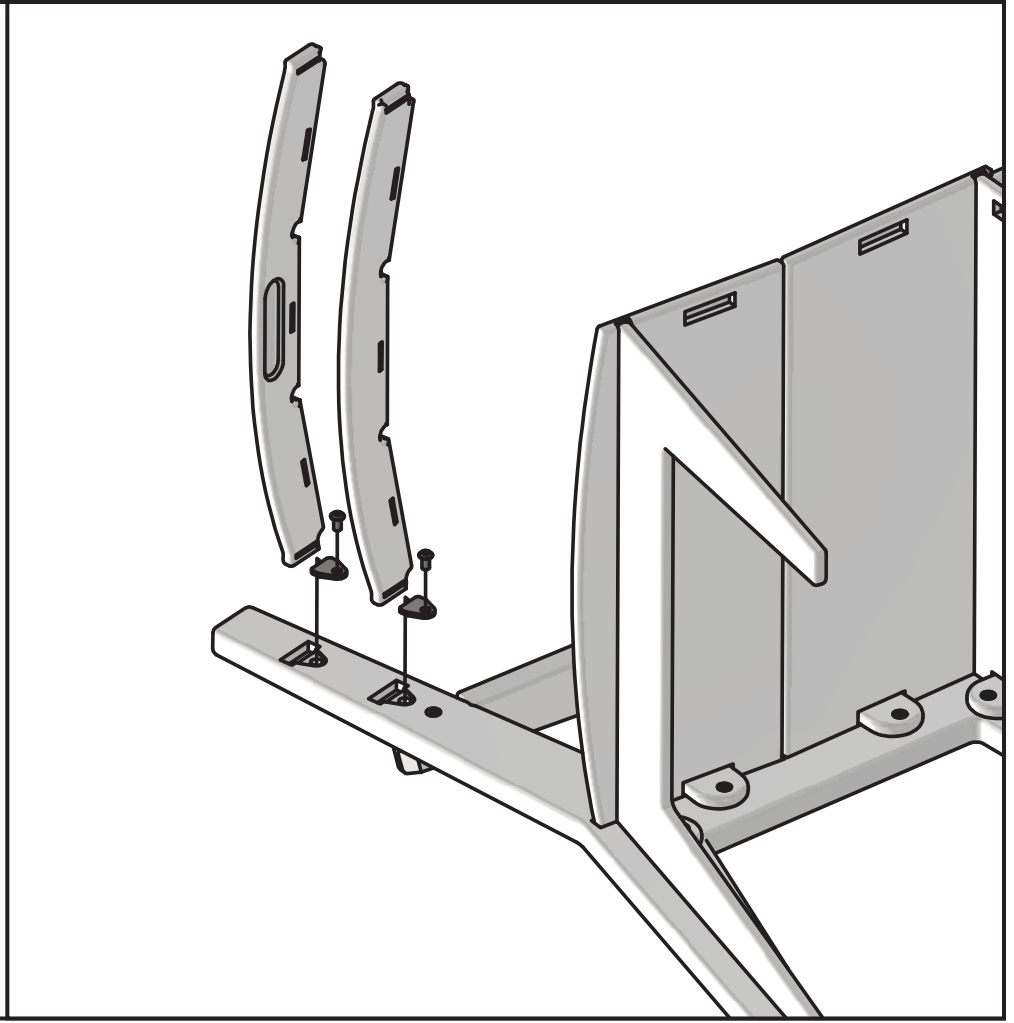
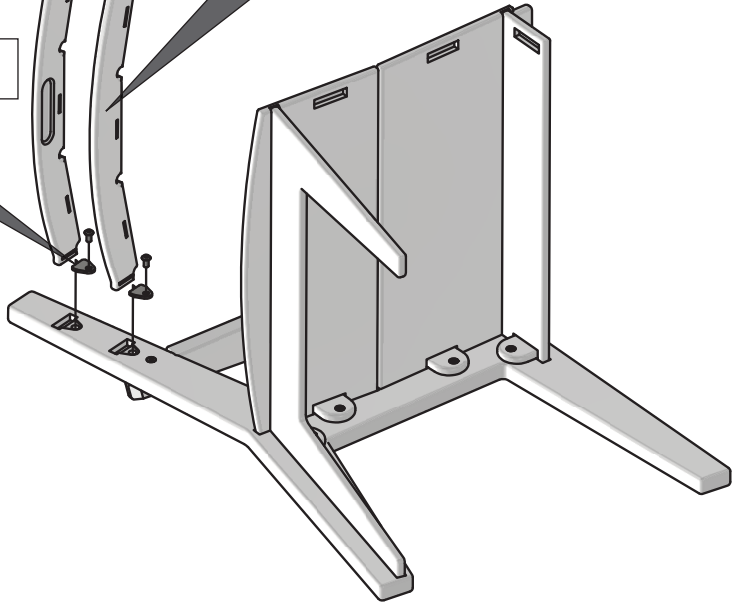
P5 1x

MB 2x



1/2"

2x

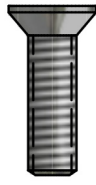


5

GB 4x

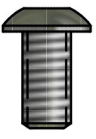
MB 3x

RIGHT SIDE 1x



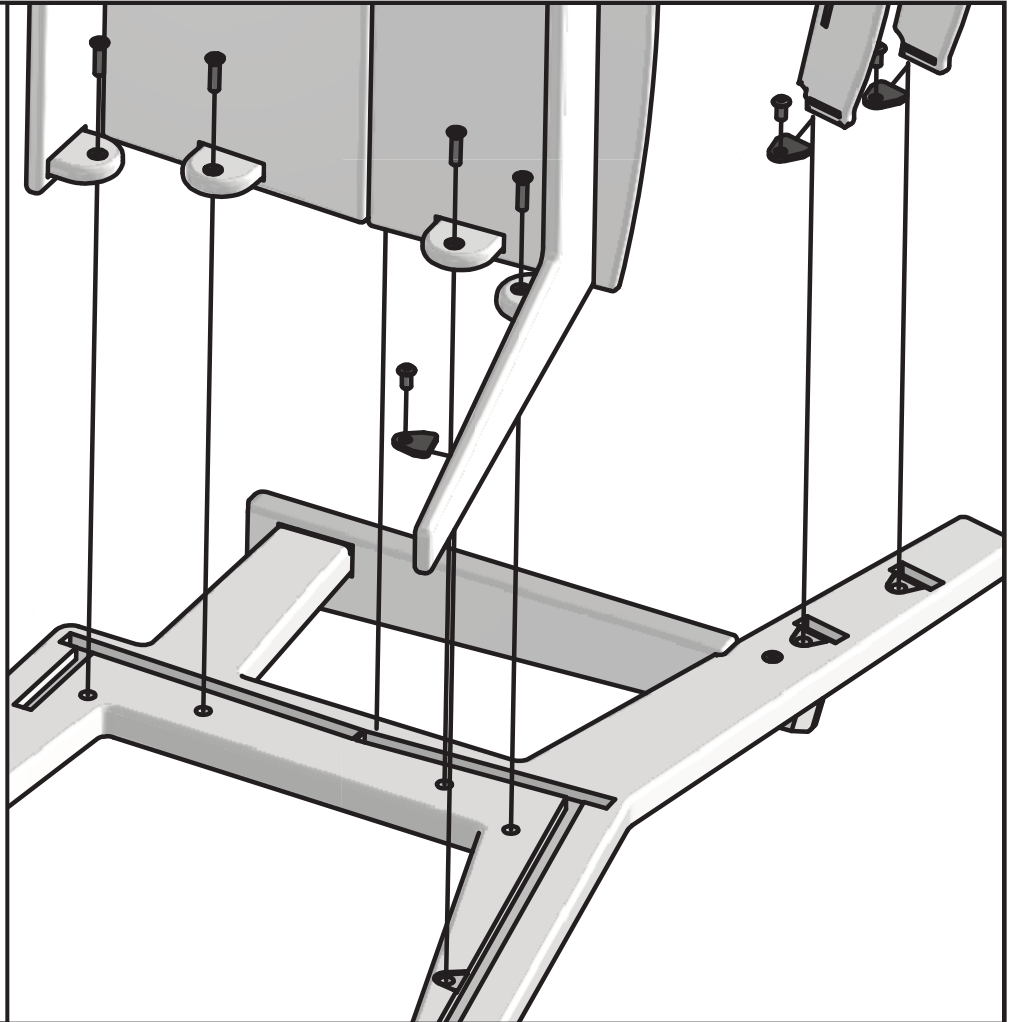
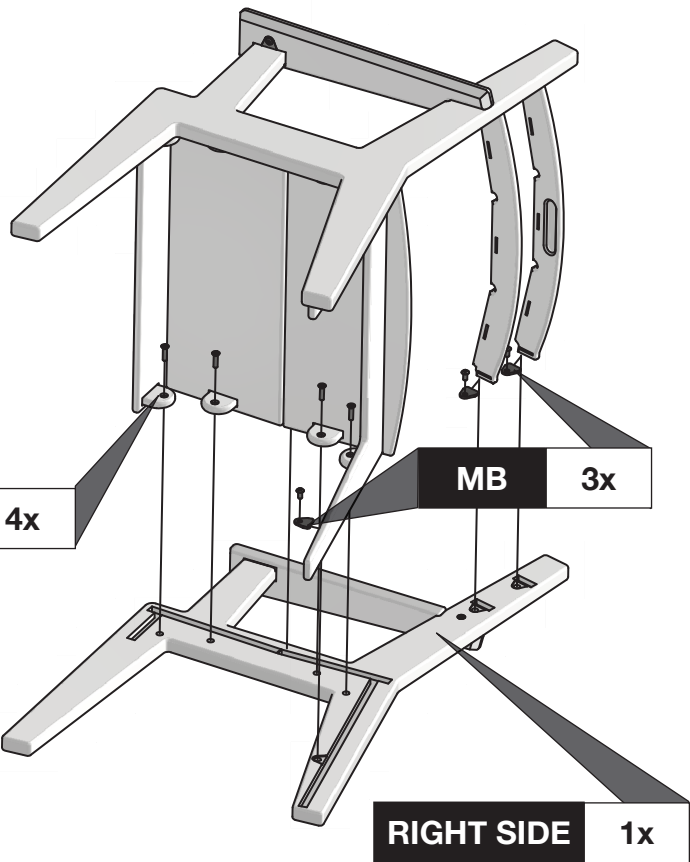
GB 7/8"

4x



MB 1/2"

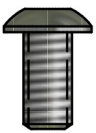
3x



6

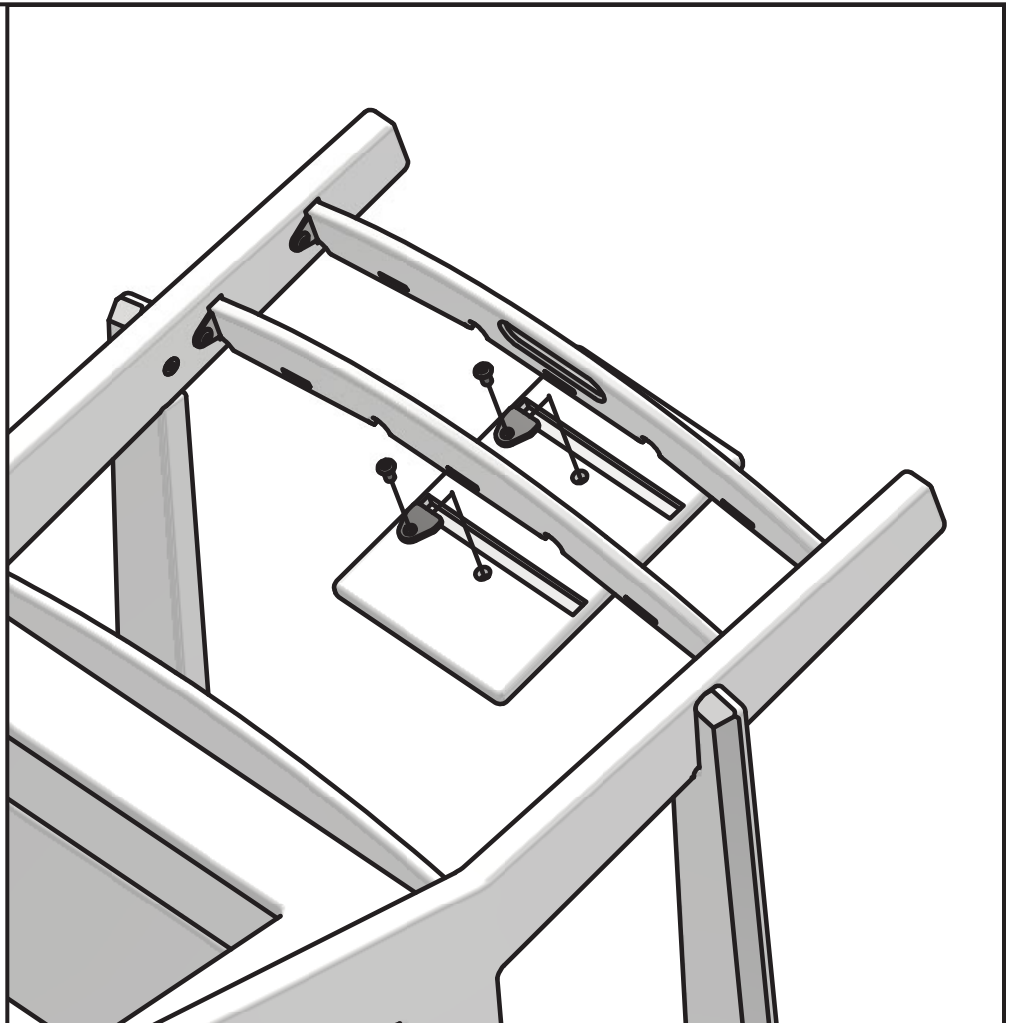
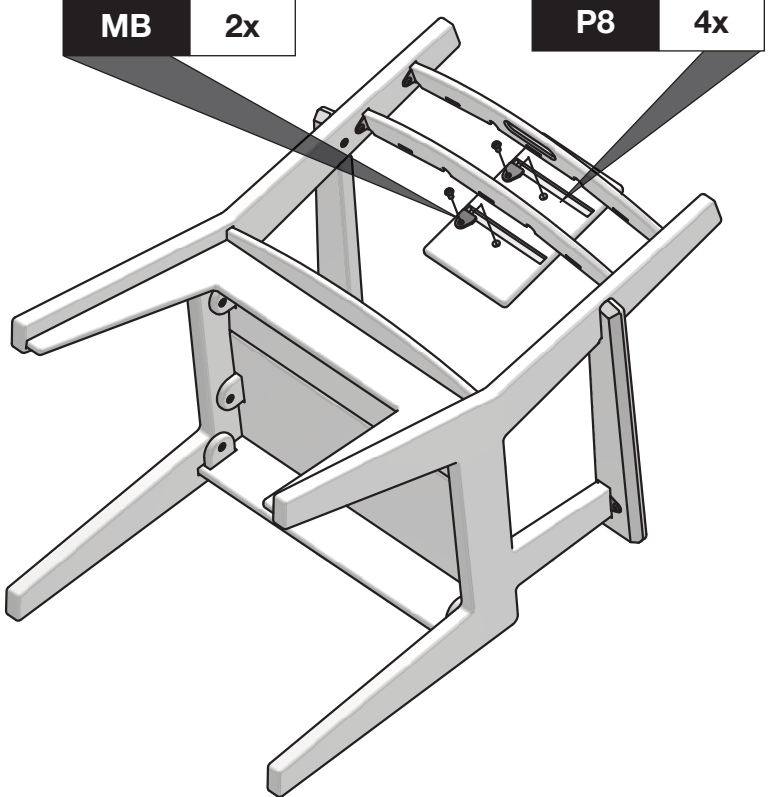
MB 2x

P8 4x



1/2"

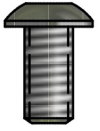
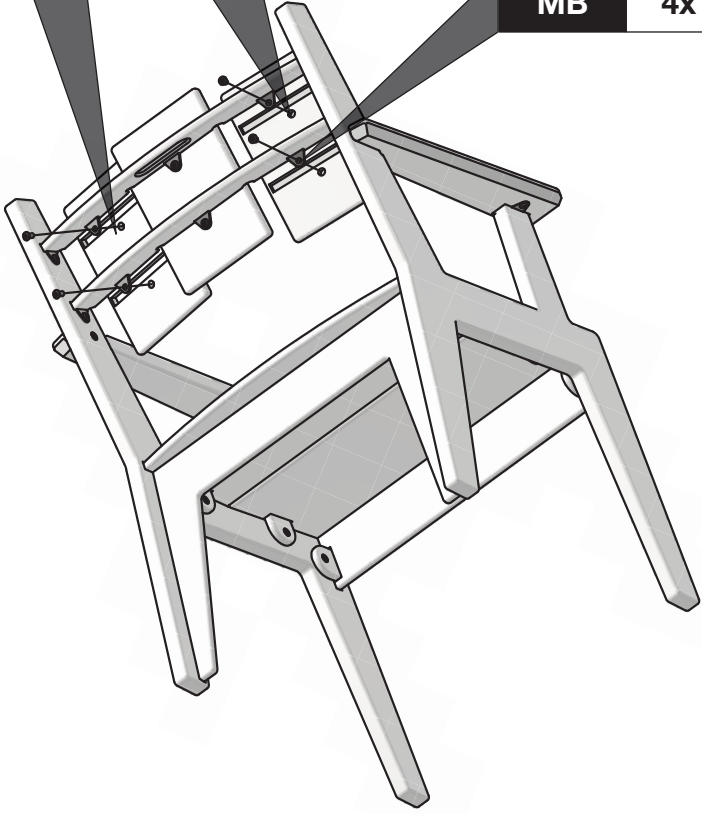
2x



7

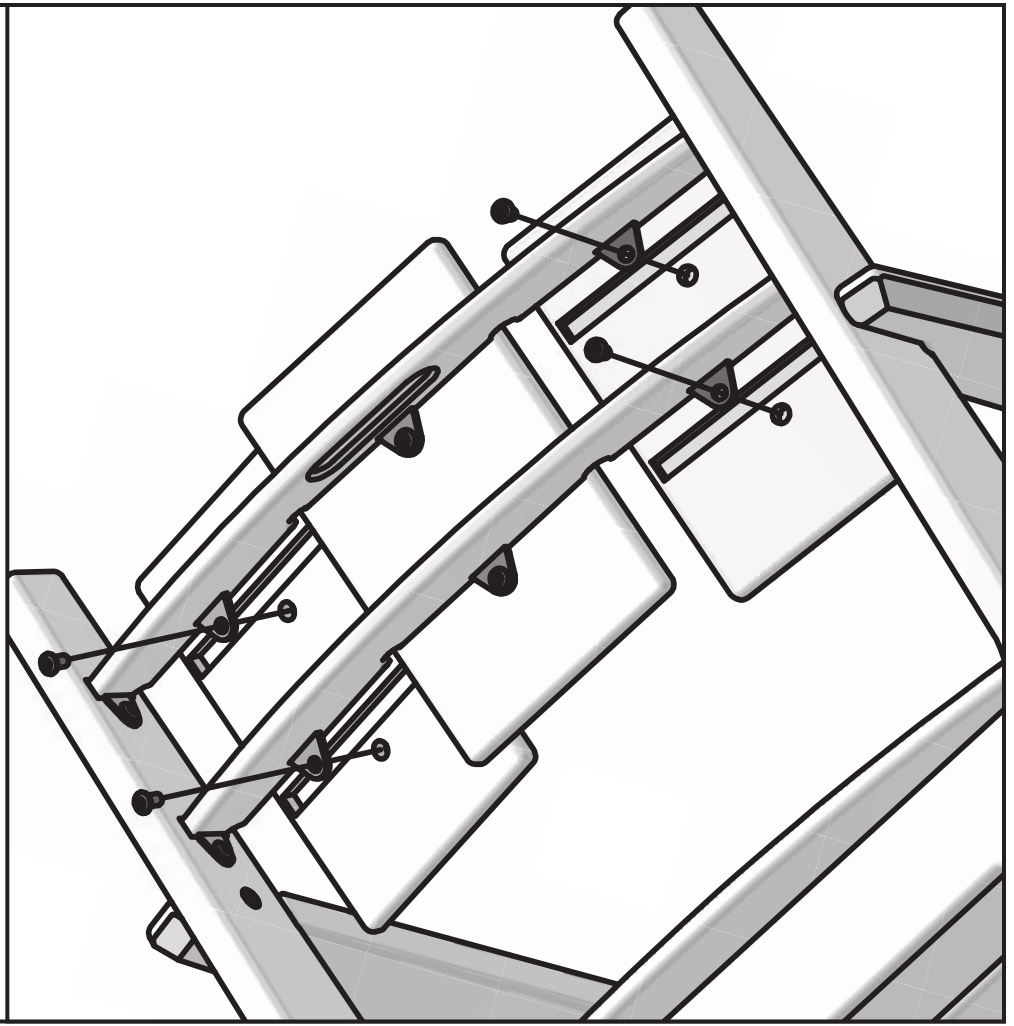
P8 2x

MB 4x



1/2"

4x



8



Finished Dining Chair and Dining Arm Chair