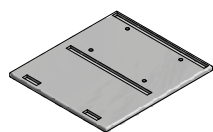
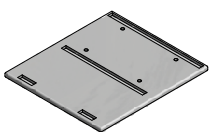


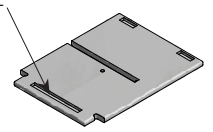
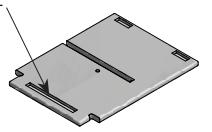
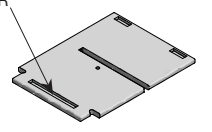
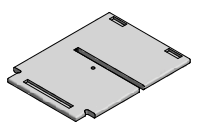
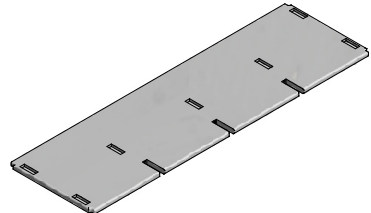
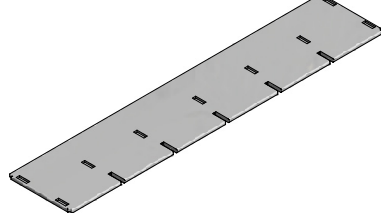
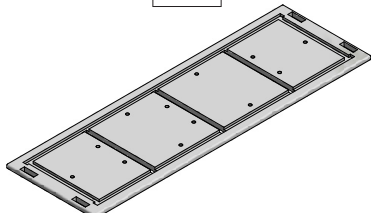
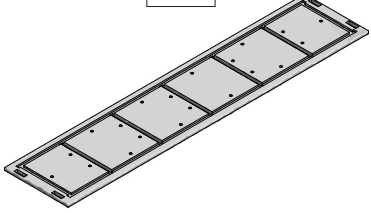
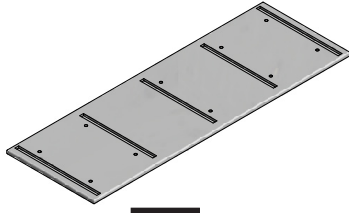
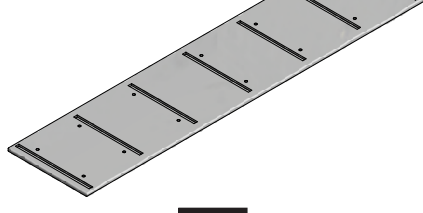
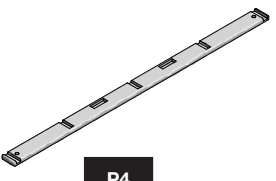
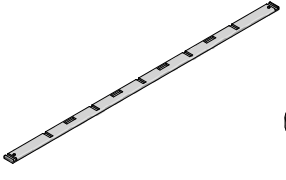
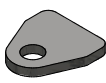
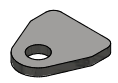
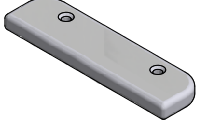
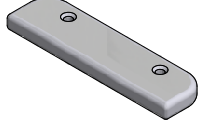




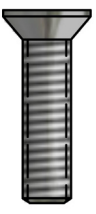
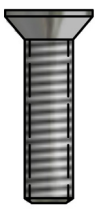


INCLUDED PARTS

Cubby 44	Cubby 65
	
P1 2x	P1 2x
	
P9 2x	P9 2x
	
P10L 2x	P10L 3x
	
P10R 1x	P10R 2x
	
P2 1x	P2 1x
	
P3 1x	P3 1x
	
P5 1x	P5 1x
	
P4 2x	P4 2x
	
MICRO 4x	MICRO 4x
	
BB 3x	BB 5x
	
GB 27x	GB 37x
	
1/2" 4x	1/2" 4x
	
1" 33x	1" 47x

*Bolt shown actual size.

*Bolt shown actual size.

ASSEMBLY TIPS: 5 Important Points You NEED to Read

1. Prior to beginning assembly, please inspect and inventory the parts to make sure you have everything and that nothing was damaged during shipping. If damage has occurred, please take photos and go to lollidesigns.com/damage. Rest assured we'll get it taken care of straight away!
2. To avoid scratching furniture, assemble on a clean soft surface like a blanket, carpet, or the flattened cardboard box the furniture was shipped in.
3. **Start all bolts by hand to ensure proper alignment and to prevent cross threading.** Then using the Allen Key or Loll Tool, tighten until you feel resistance.
4. Bolts should not be forced, but some components, particularly the blocks will need a bit of muscle to get them together as they are machined for a snug fit. If parts are still not going together, please send us a photo of the part you are having trouble with.
5. You can use a cordless screw gun if you have one and know how to use it. Set the clutch setting at low to medium torque. **We do not recommend using an electric drill without a clutch** to install bolts as you can easily overtighten and damage the product.

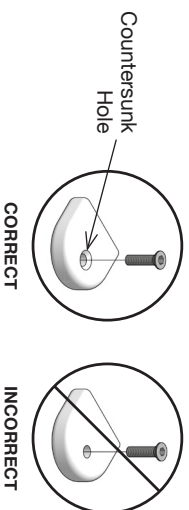
LOLL TOOL

Locate the box marked "Tool Included" before beginning assembly.



BLOCK & BOLT INSTALLATION

Insert bolts through countersunk hole side of blocks as shown below.



"Loll Designs inspires people to appreciate the outdoors."

Greg Benson - Founder/CEO

♻️ RECYCLE THE PACKAGING

We've gone through great lengths to make as much of our packaging as possible recyclable. The cardboard box, paper wrap, filler and paper bags can all go in your recycling bin. The muslin hardware bags replaced plastic bags with the intention of reducing plastic and encouraging reuse. Loll Designs and Planet Earth thank you!

WE WANT YOU TO LOVE YOUR LOLL

For more info and visual aids, watch the assembly videos at www.lollidesigns.com/videos
For product care & maintenance, visit www.lollidesigns.com/care-maintenance
For further lollygagging assistance, please reach out!

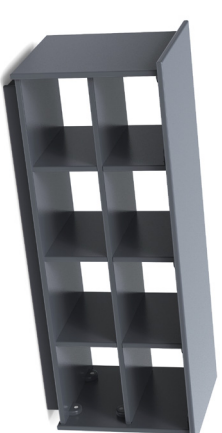
+1 877-740-3387

sales@lollidesigns.com

5912 Waseca Street
Duluth, Minnesota 55807

ASSEMBLY INSTRUCTIONS & PRODUCT INFO:

CUBBY BENCH 44 & 65 (SHOE HOLES)

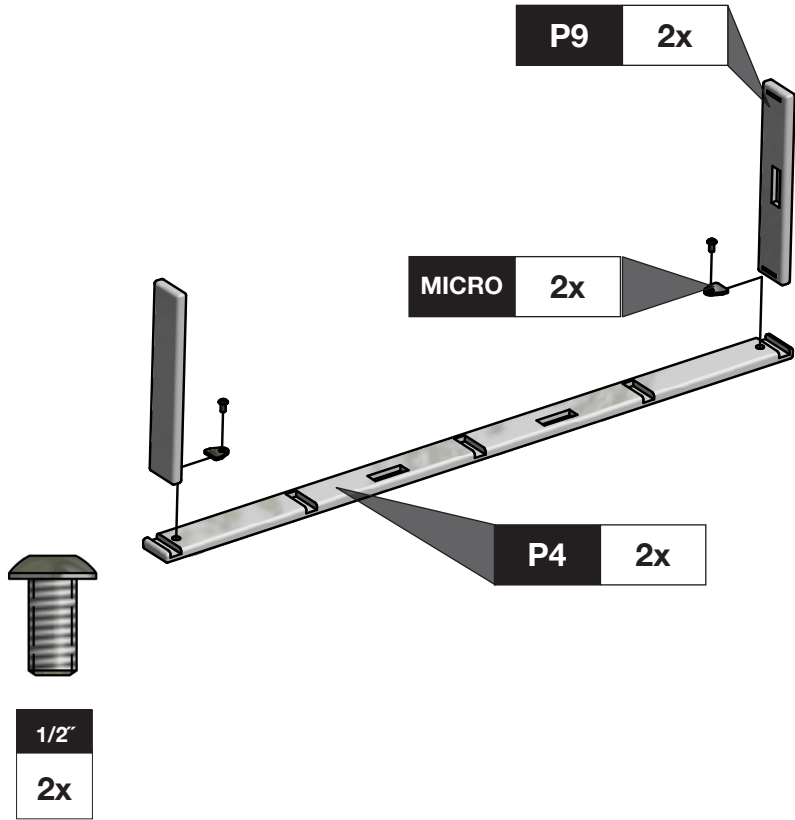


LOLL
DESIGNS

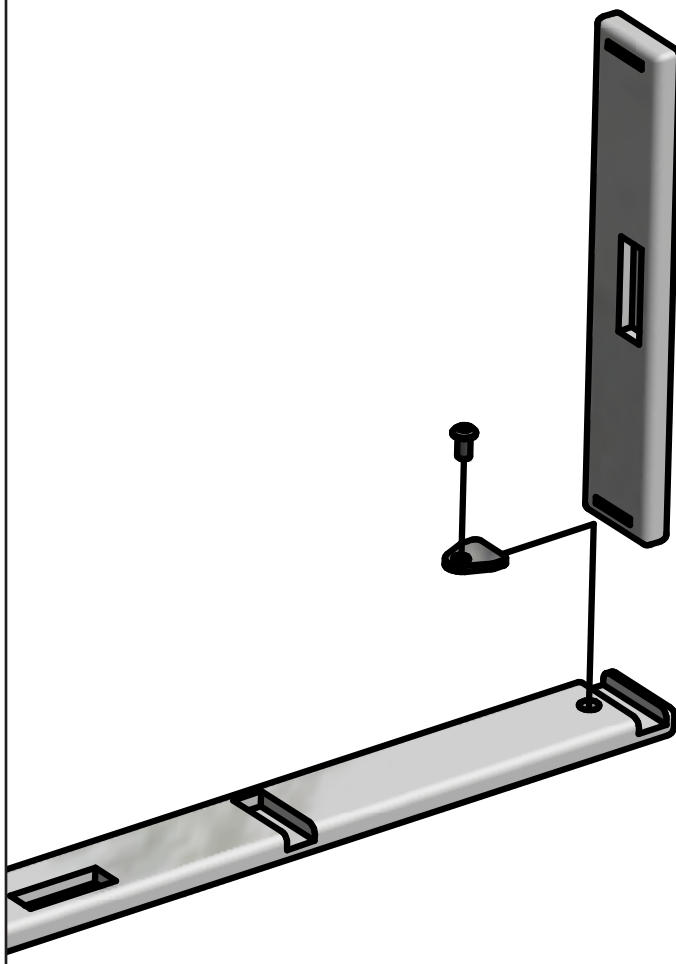
MADE IN THE USA



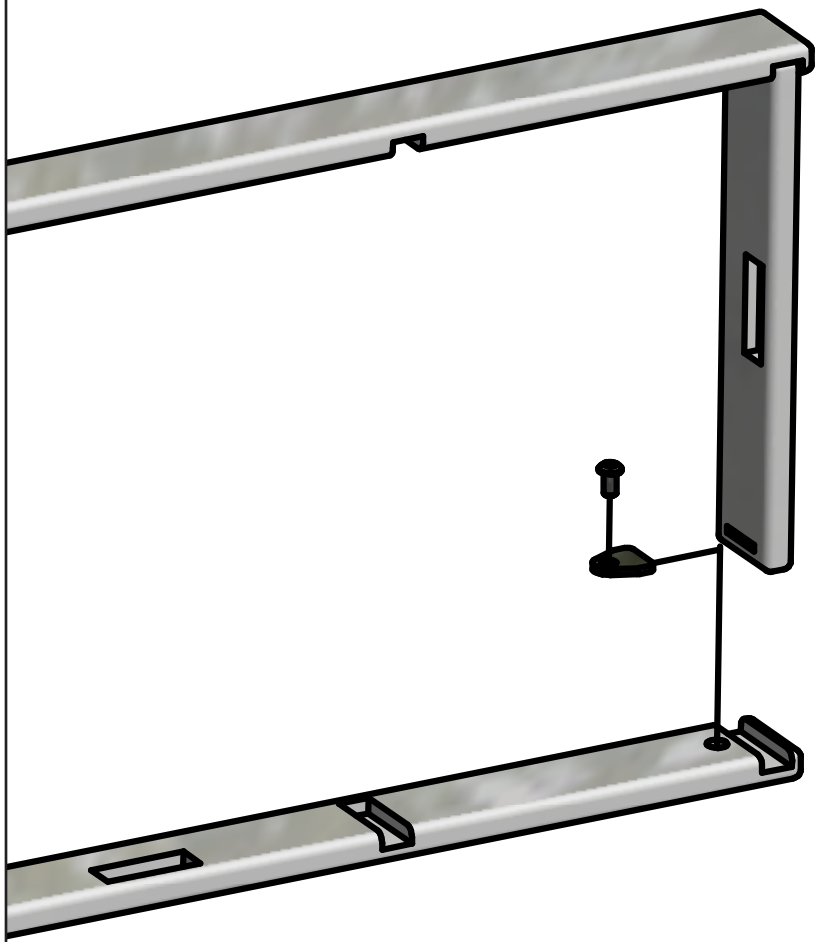
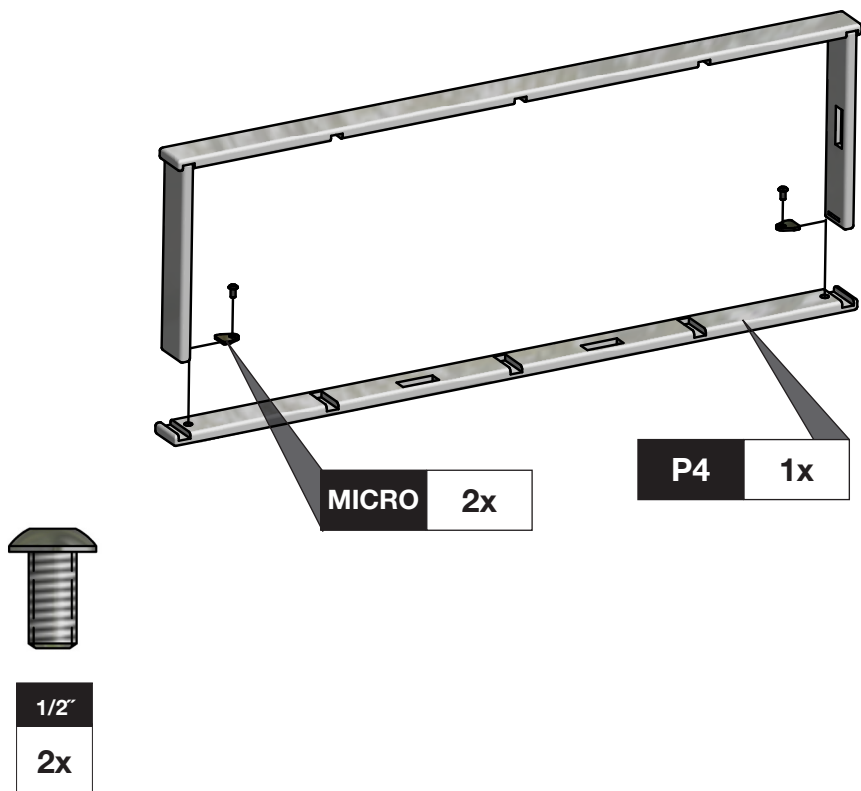
1



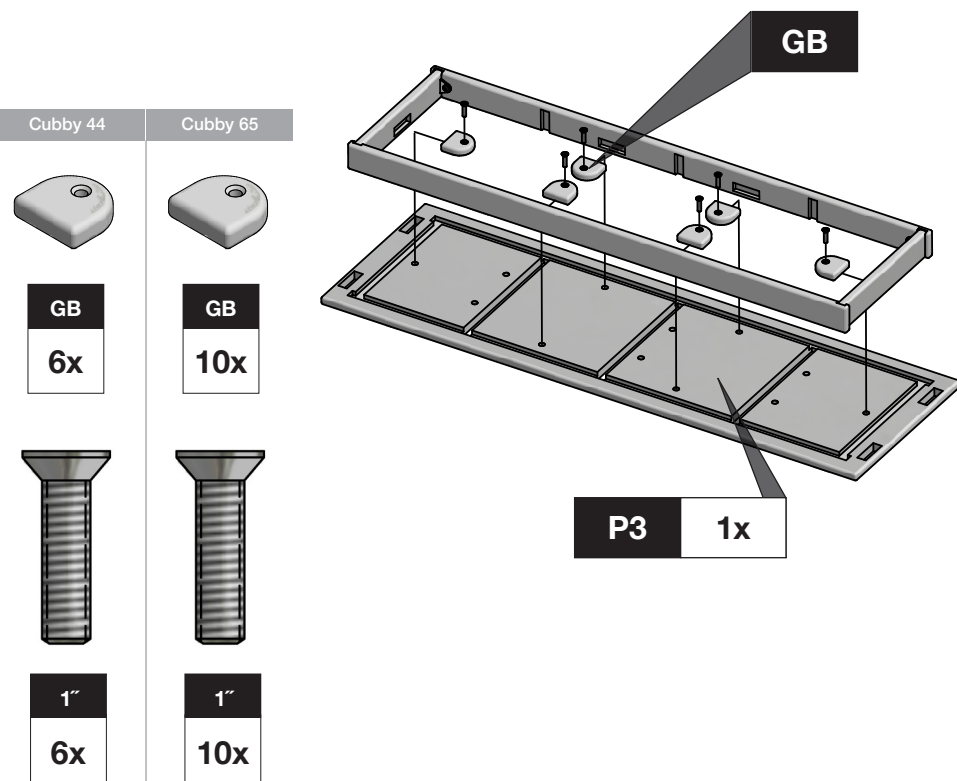
** Cubby 44 Shown **



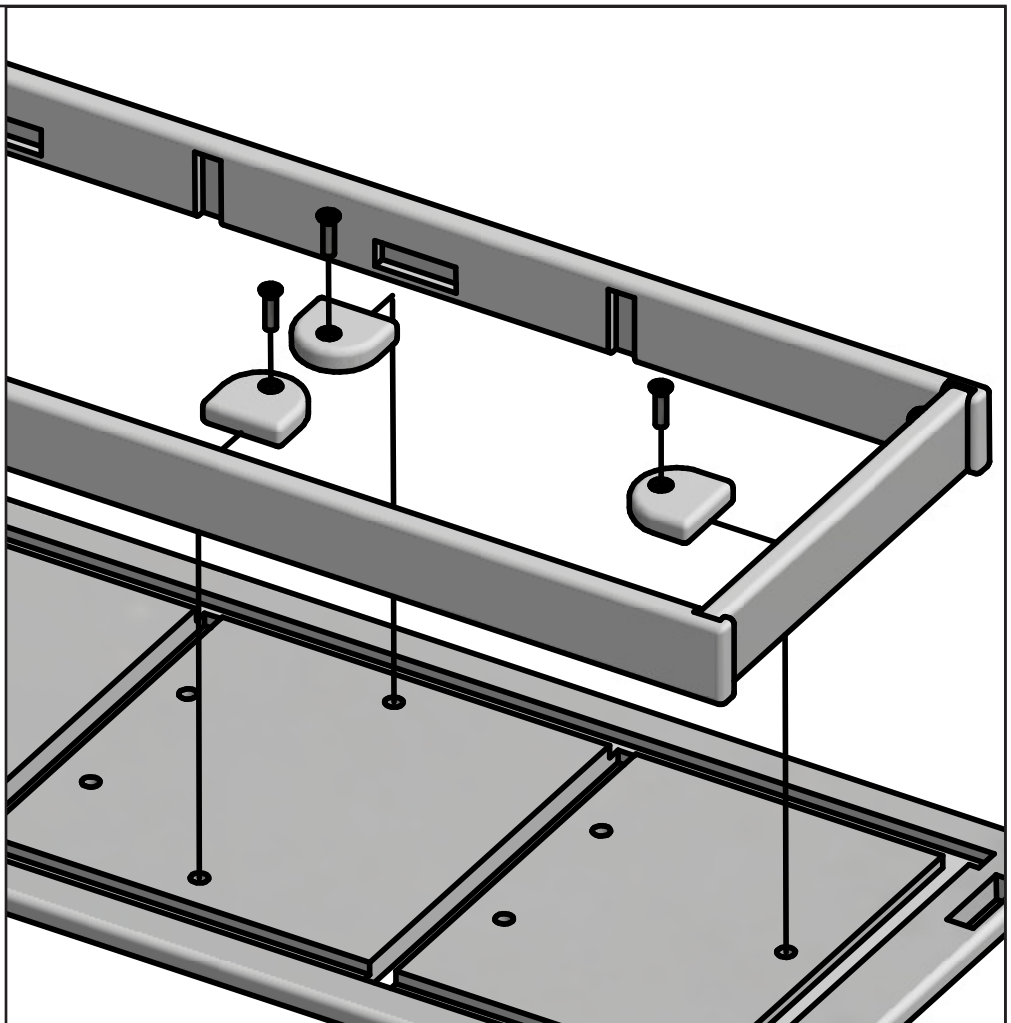
2



3





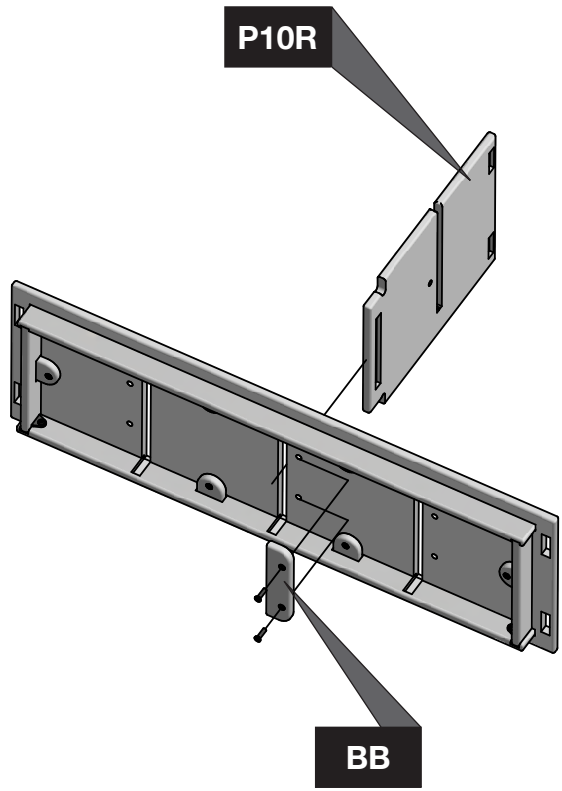
** Cubby 44 shown **



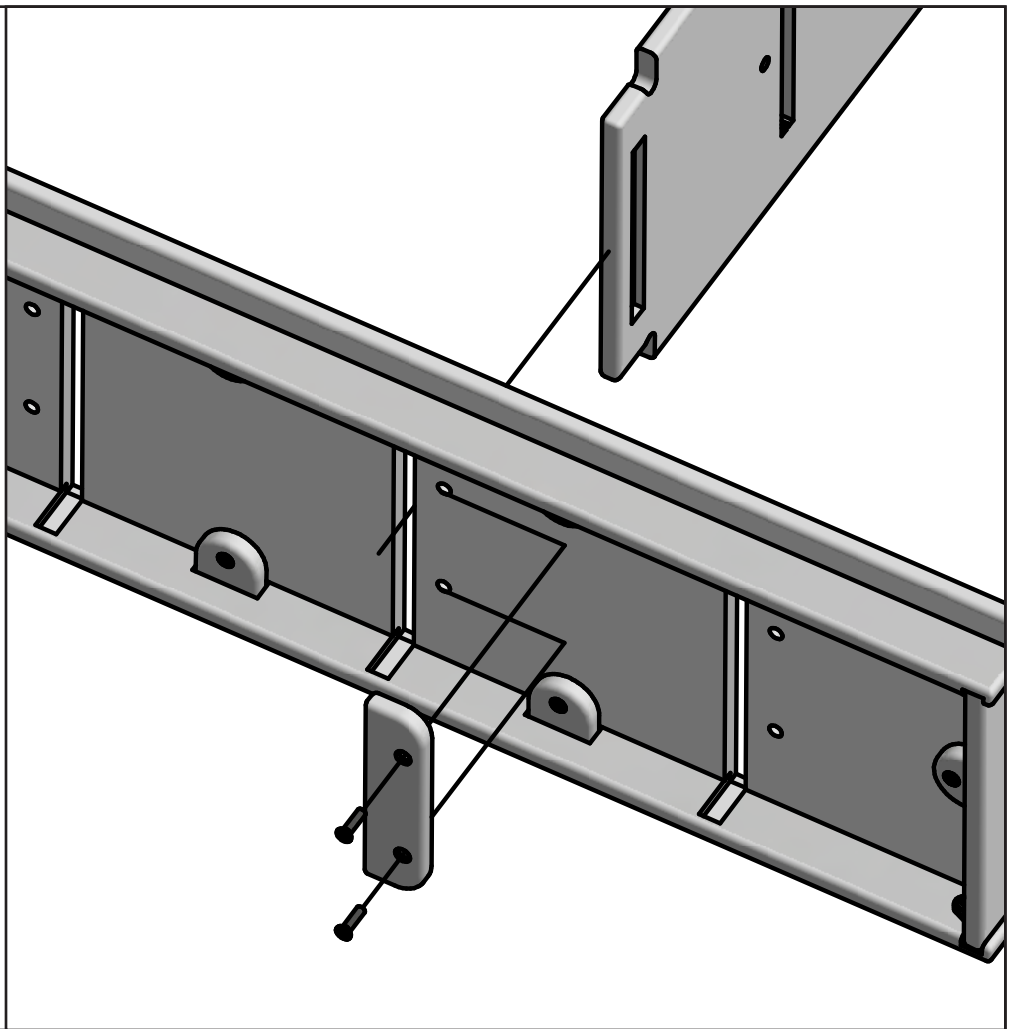
4

Cubby 44 Cubby 65

P10R	P10R
1x	2x
BB	BB
1x	2x
	
1"	1"
2x	4x





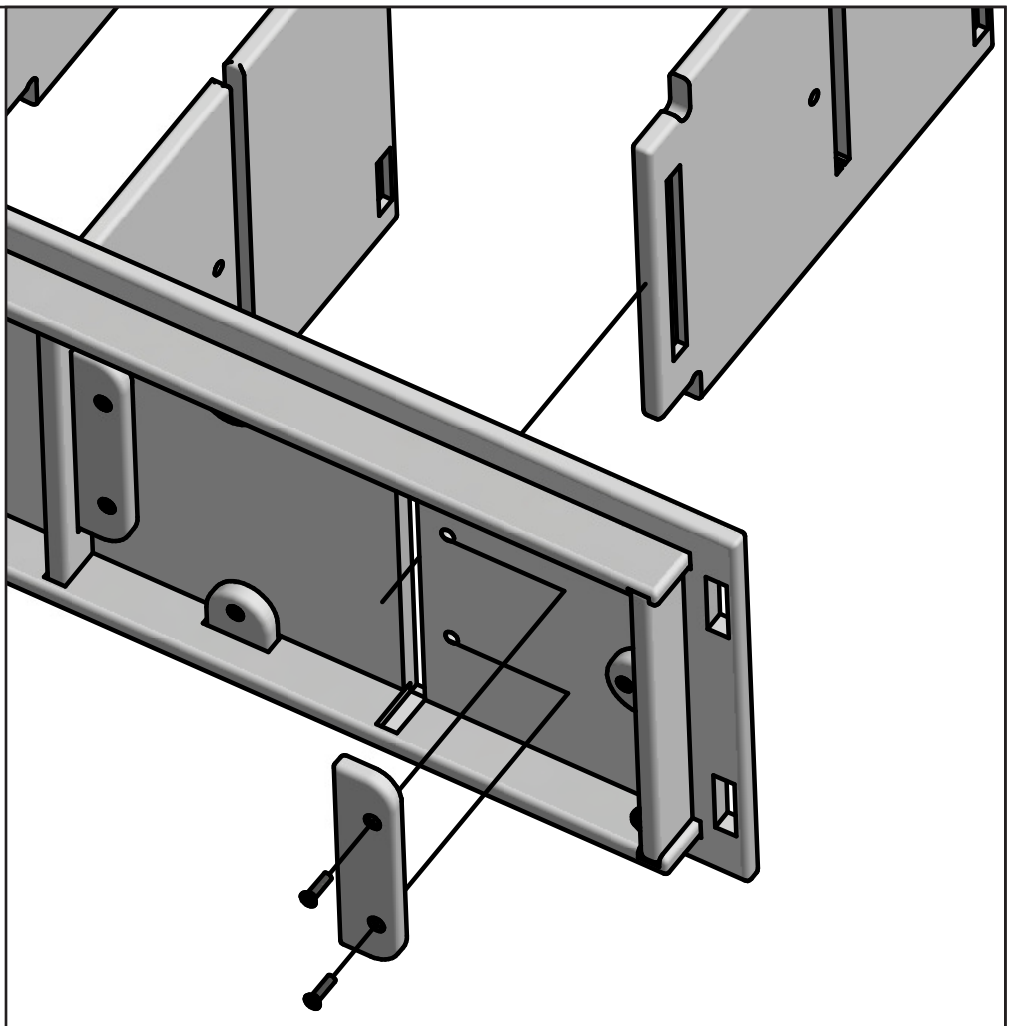
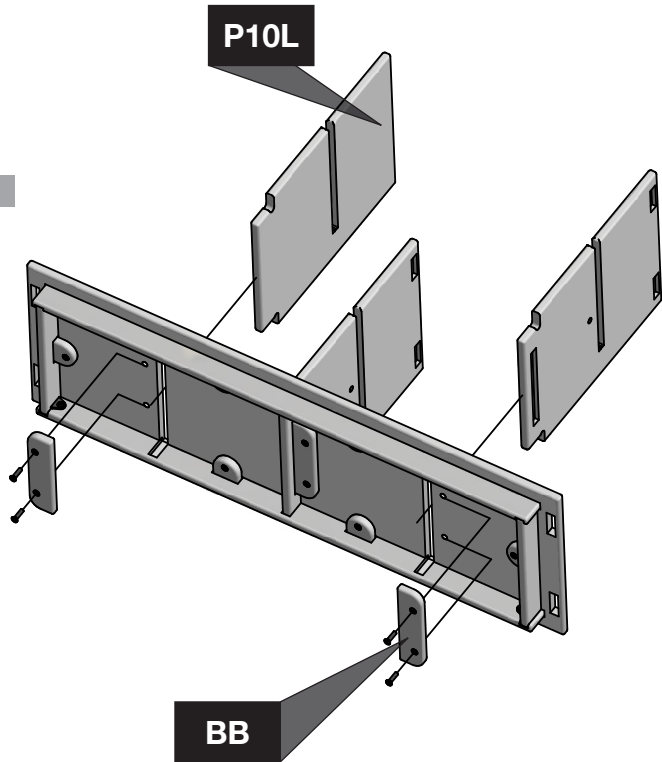
** Cubby 44 shown **



5

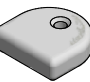



Cubby 44 Cubby 65

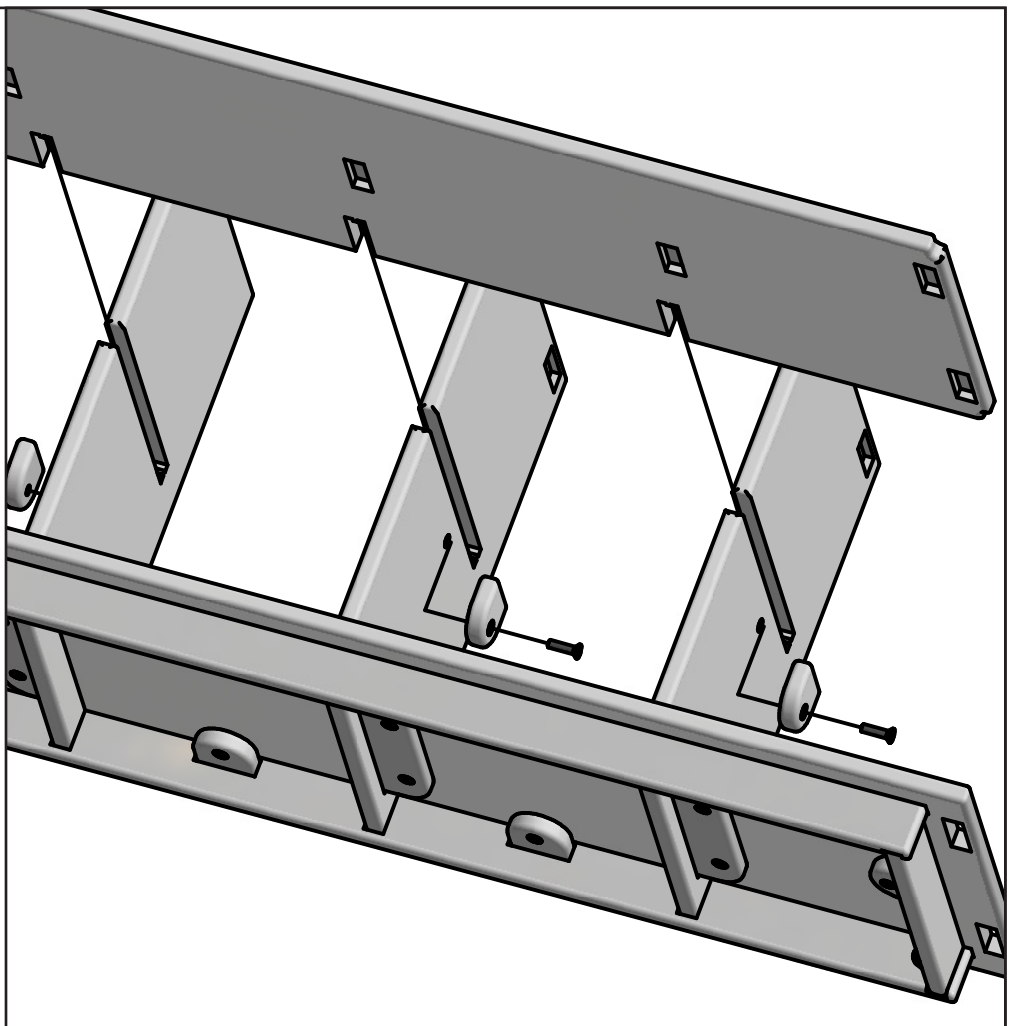
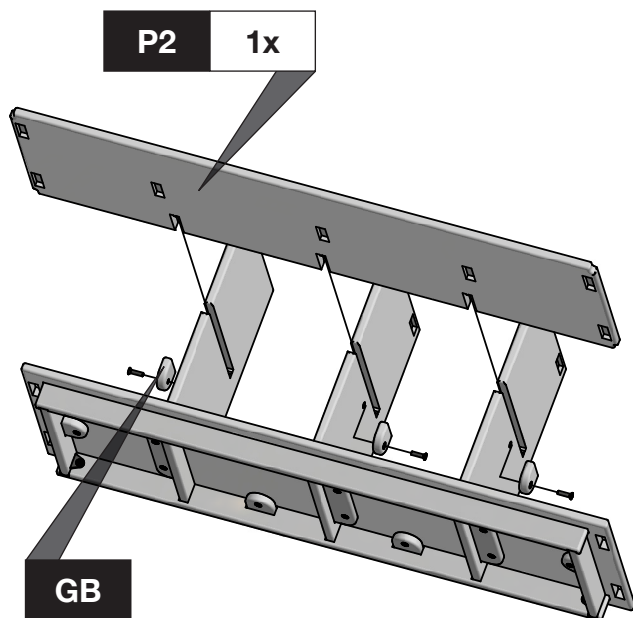
P10L	P10L
2x	3x
BB	BB
2x	3x
	
1"	1"
4x	6x



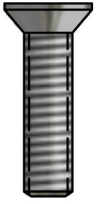
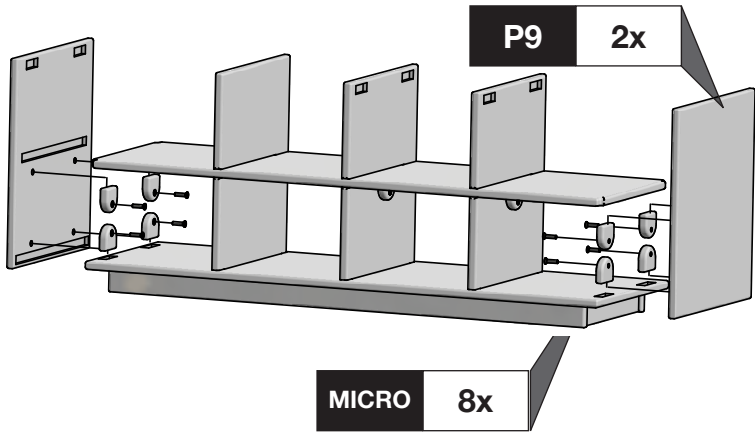
6

Cubby 44 Cubby 65

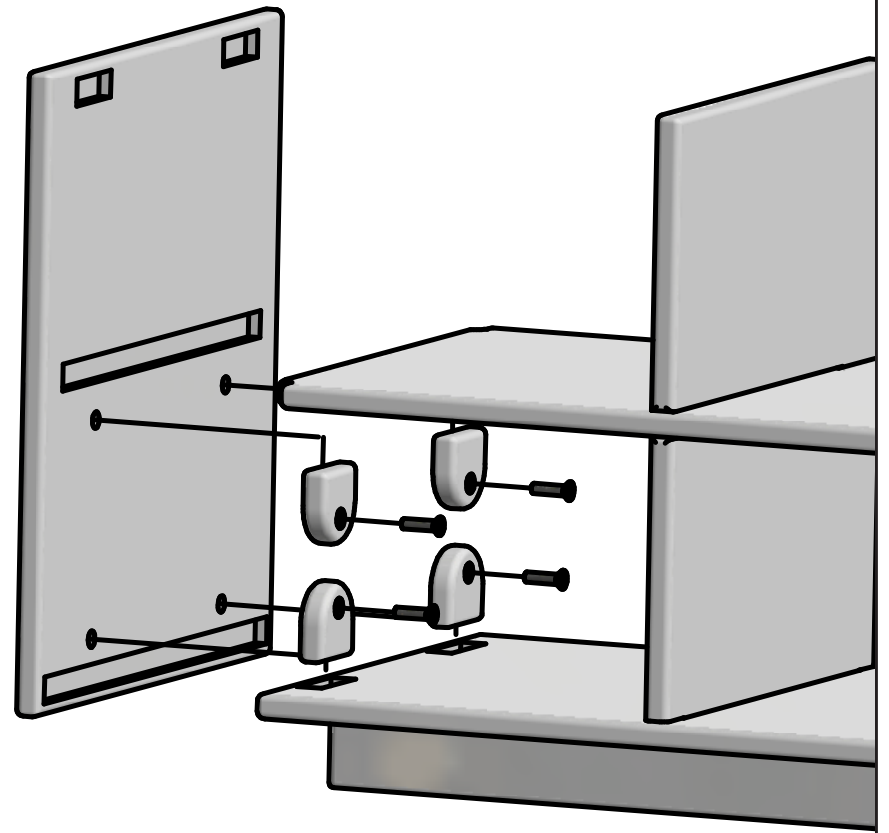
P2	P2
1x	1x
	
GB	GB
3x	5x
	
1"	1"
3x	5x



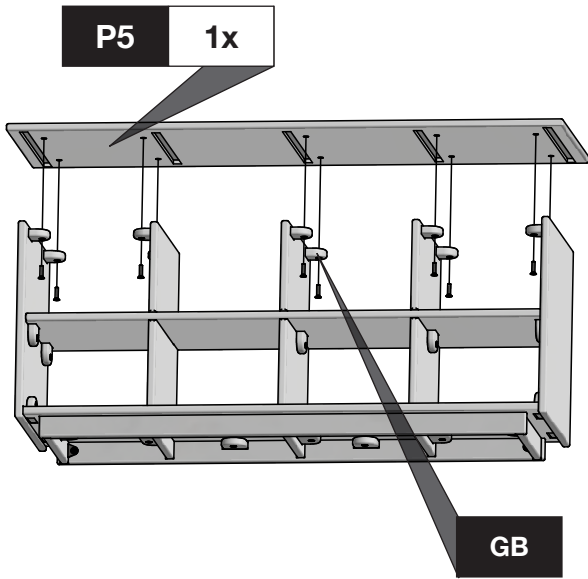
7



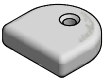
1"
6x



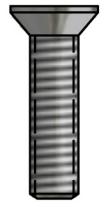
8



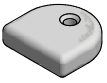
Cubby 44 Cubby 65



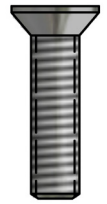
GB
3x



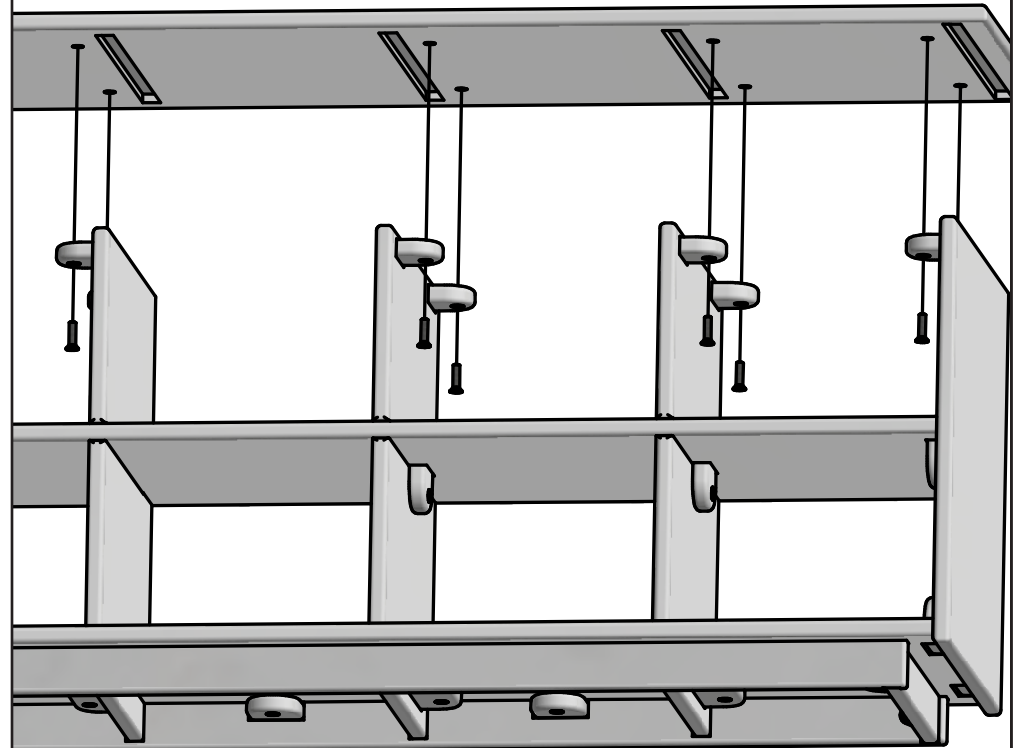
1"
3x



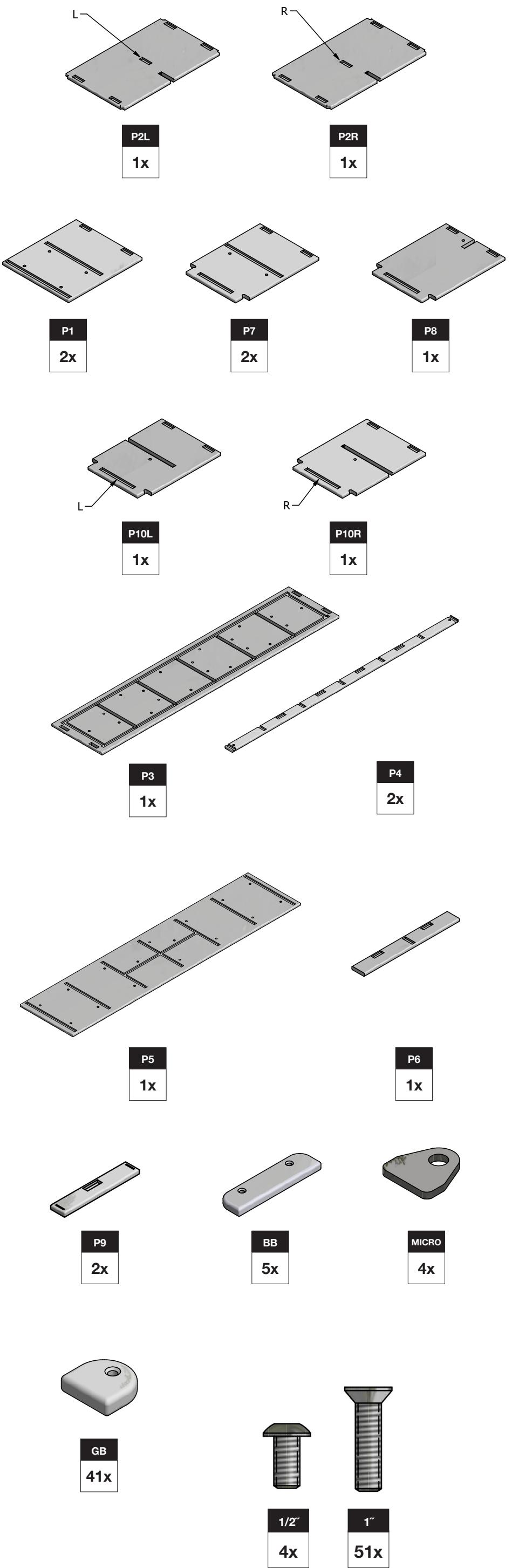
GB
5x



1"
5x



INCLUDED PARTS



*Bolt shown actual size.

ASSEMBLY TIPS: 5 Important Points You NEED to Read

1. Prior to beginning assembly, please inspect and inventory the parts to make sure you have everything and that nothing was damaged during shipping. If damage has occurred, please take photos and go to lollidesigns.com/damage. Rest assured we'll get it taken care of straight away!
2. To avoid scratching furniture, assemble on a clean soft surface like a blanket, carpet, or the flattened cardboard box the furniture was shipped in.
3. **Start all bolts by hand to ensure proper alignment and to prevent cross threading.** Then using the Allen Key or Loll Tool, tighten until you feel resistance.
4. Bolts should not be forced, but some components, particularly the blocks will need a bit of muscle to get them together as they are machined for a snug fit. If parts are still not going together, please send us a photo of the part you are having trouble with.
5. You can use a cordless screw gun if you have one and know how to use it. Set the clutch setting at low to medium torque. **We do not recommend using an electric drill without a clutch** to install bolts as you can easily overtighten and damage the product.

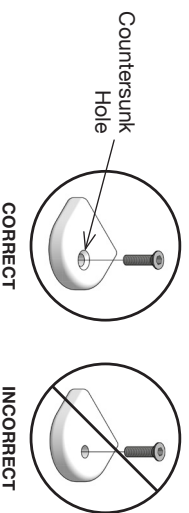
LOLL TOOL

Locate the box marked "Tool Included" before beginning assembly.



BLOCK & BOLT INSTALLATION

Insert bolts through countersunk hole side of blocks as shown below.



"Loll Designs inspires people to appreciate the outdoors."

Greg Benson - Founder/CEO

♻️ RECYCLE THE PACKAGING

We've gone through great lengths to make as much of our packaging as possible recyclable. The cardboard box, paper wrap, filler and paper bags can all go in your recycling bin. The muslin hardware bags replaced plastic bags with the intention of reducing plastic and encouraging reuse. Loll Designs and Planet Earth thank you!

WE WANT YOU TO LOVE YOUR LOLL

For more info and visual aids, watch the assembly videos at www.lollidesigns.com/videos. For product care & maintenance, visit www.lollidesigns.com/care-maintenance. For further lollygagging assistance, please reach out!

+1 877-740-3387

sales@lollidesigns.com

5912 Waseca Street
Duluth, Minnesota 55807

ASSEMBLY INSTRUCTIONS & PRODUCT INFO:

CUBBY BENCH 65 BOOT



MADE IN THE USA



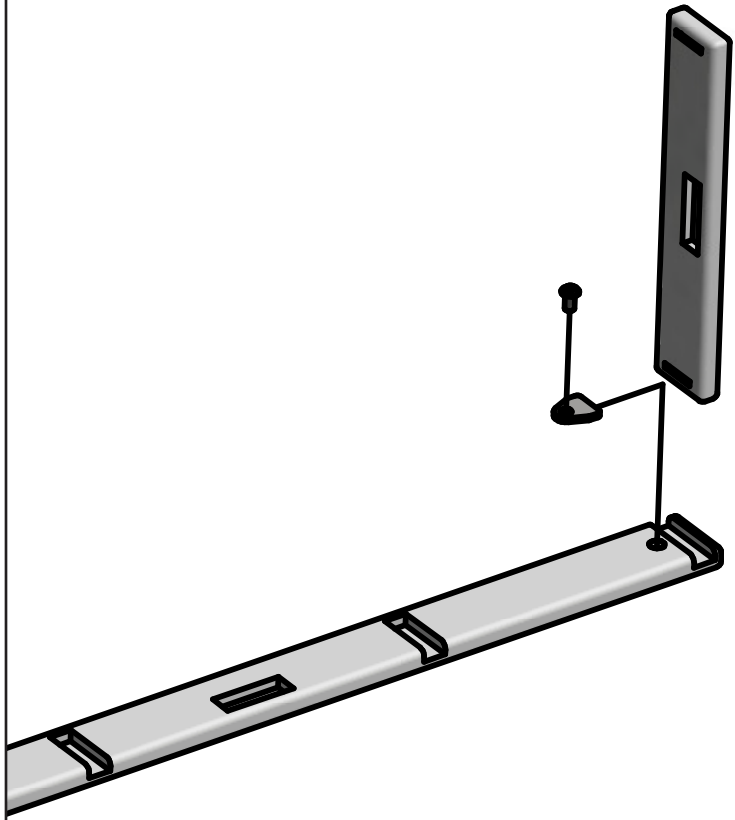
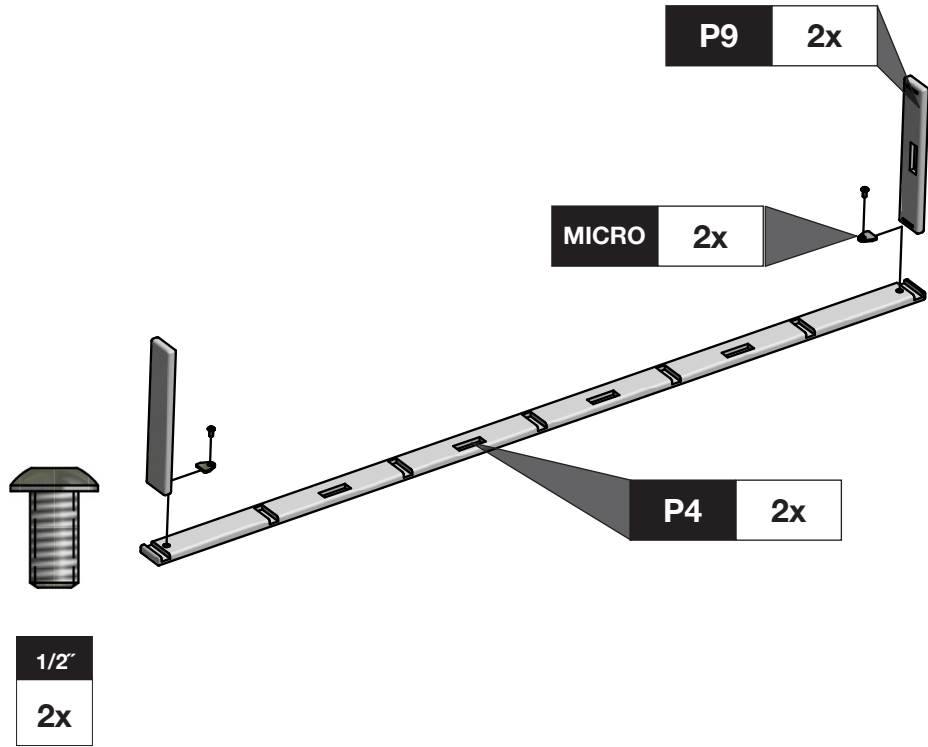
ORIGINAL Member

1% FOR THE PLANET MEMBER #510

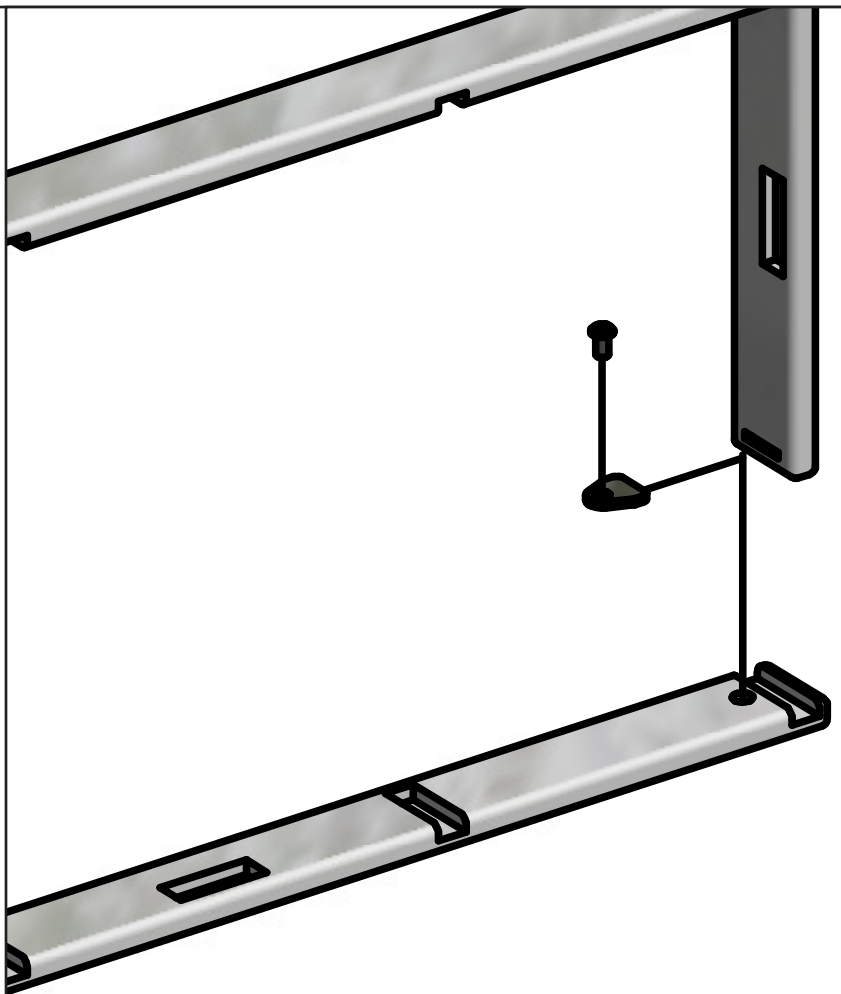
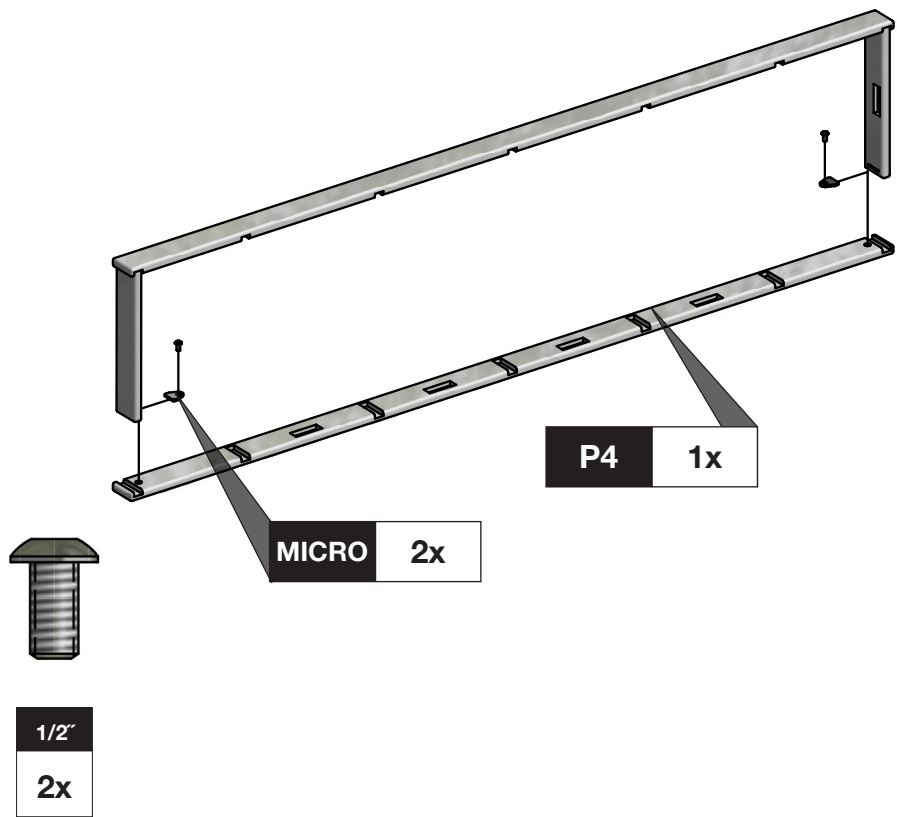
it's good to be recycled

LOLL DESIGNS

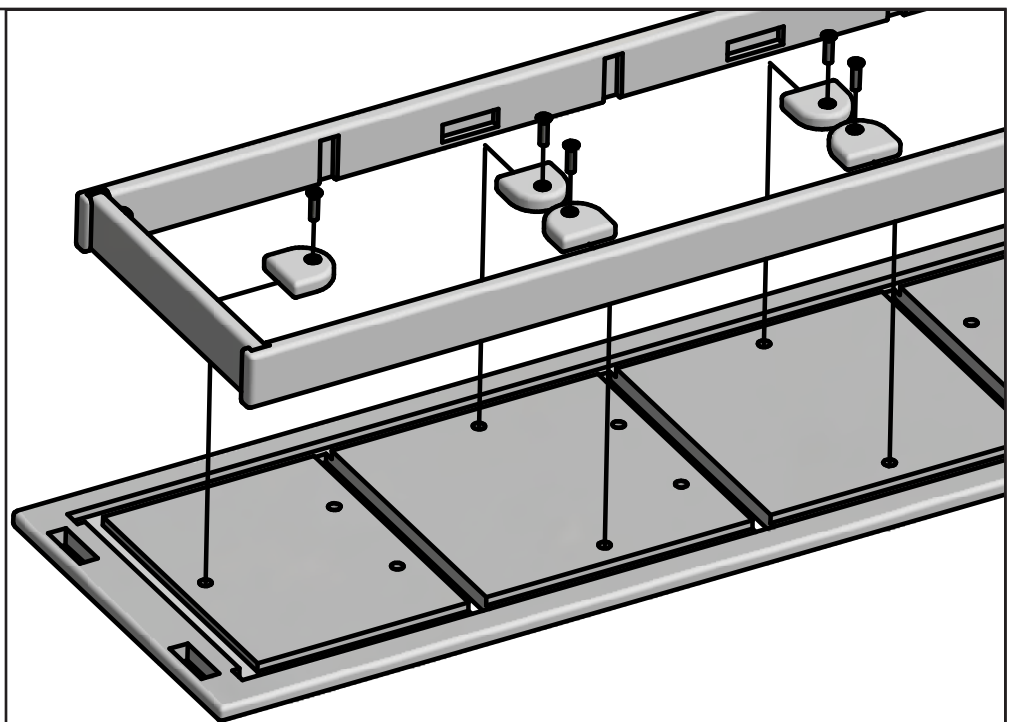
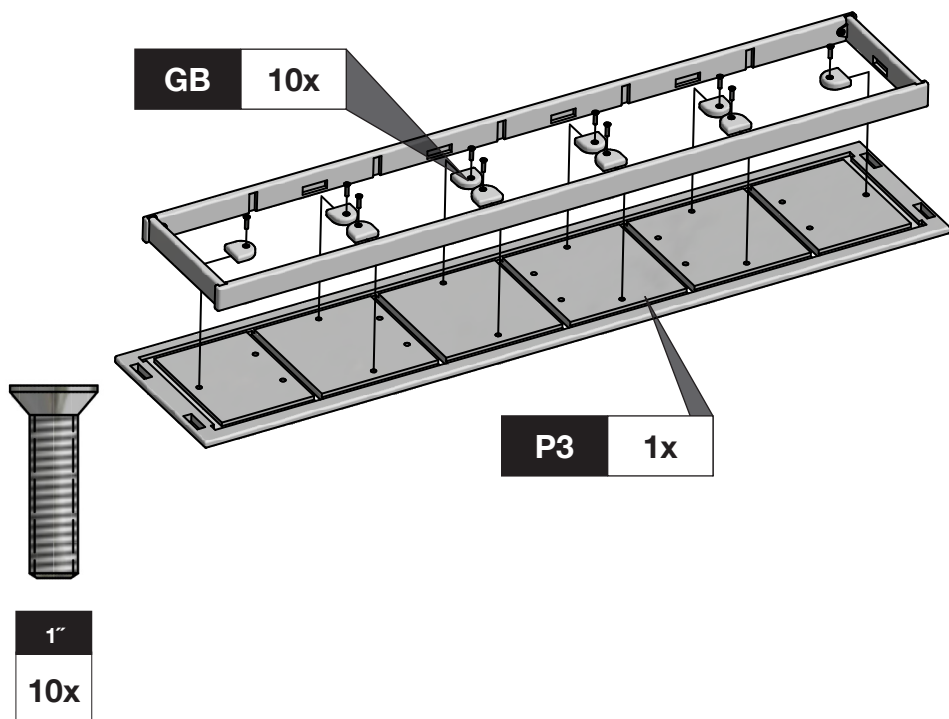
1



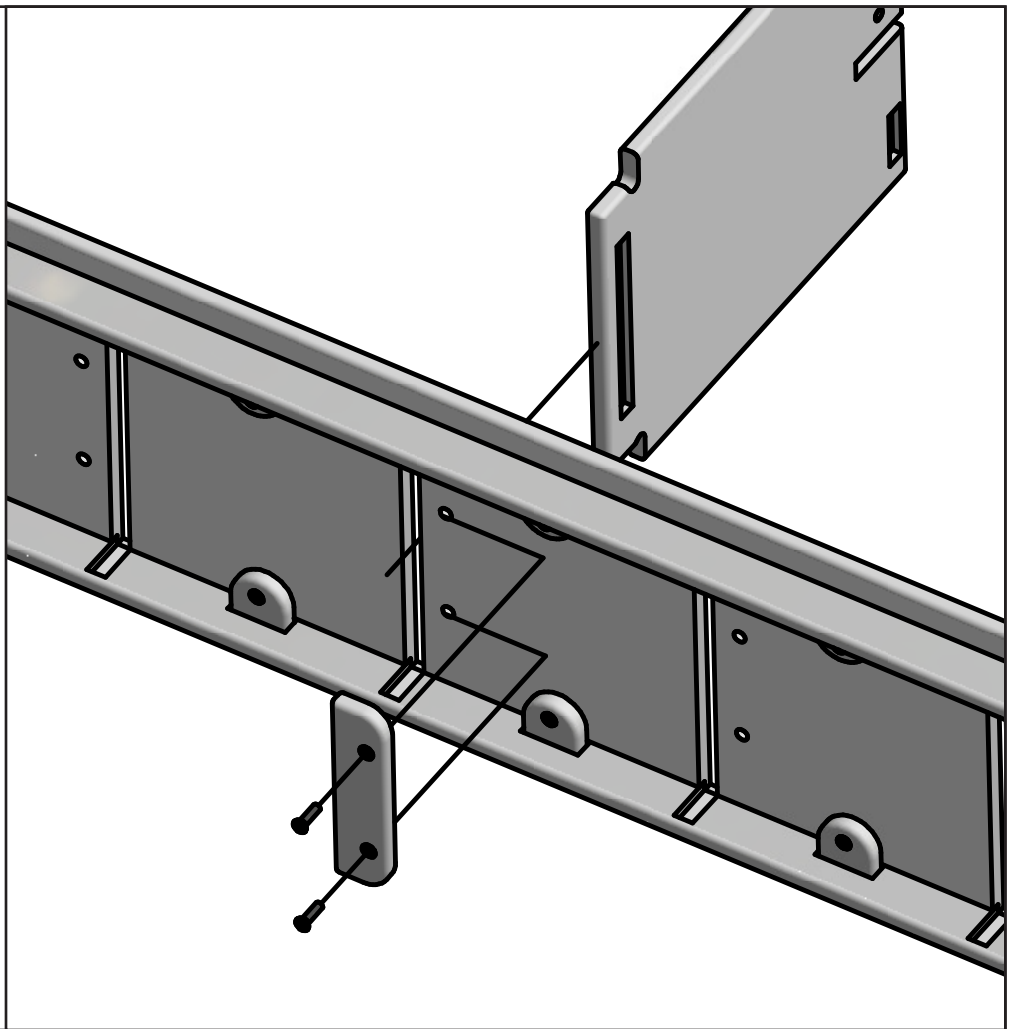
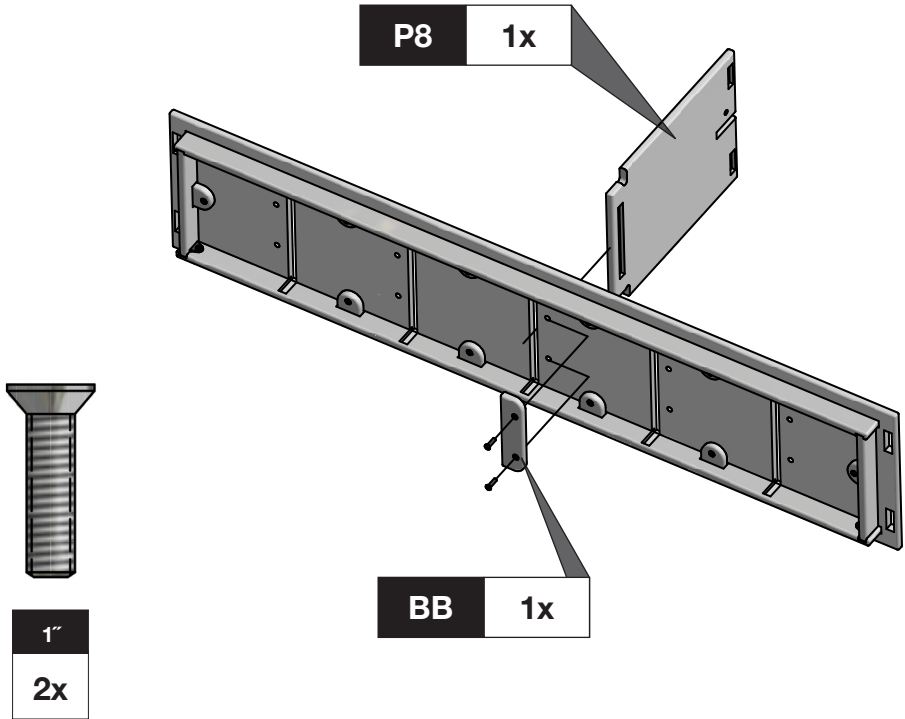
2



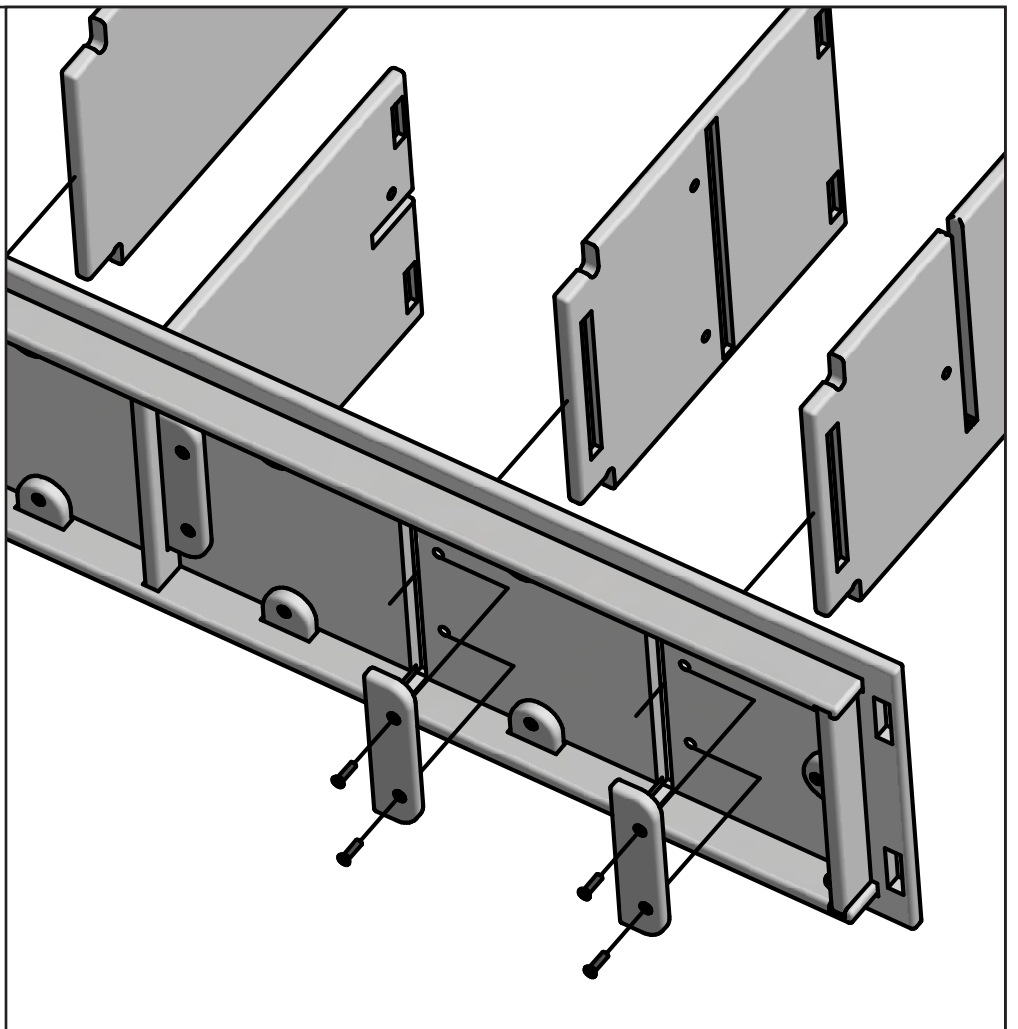
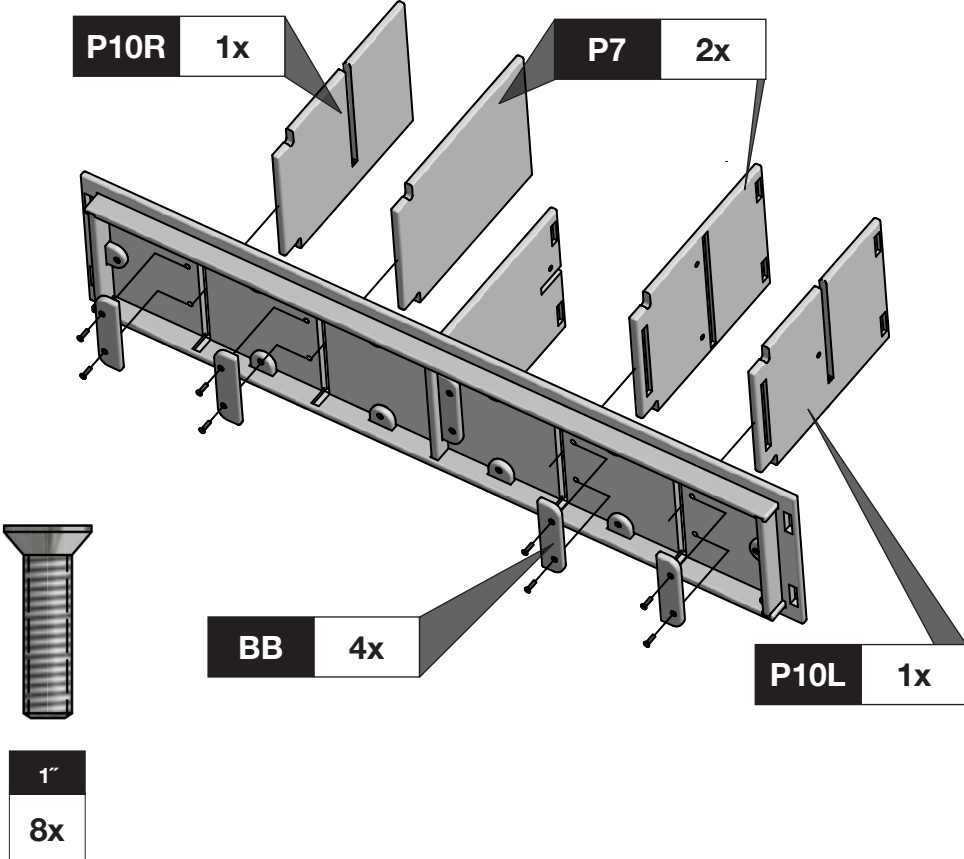
3



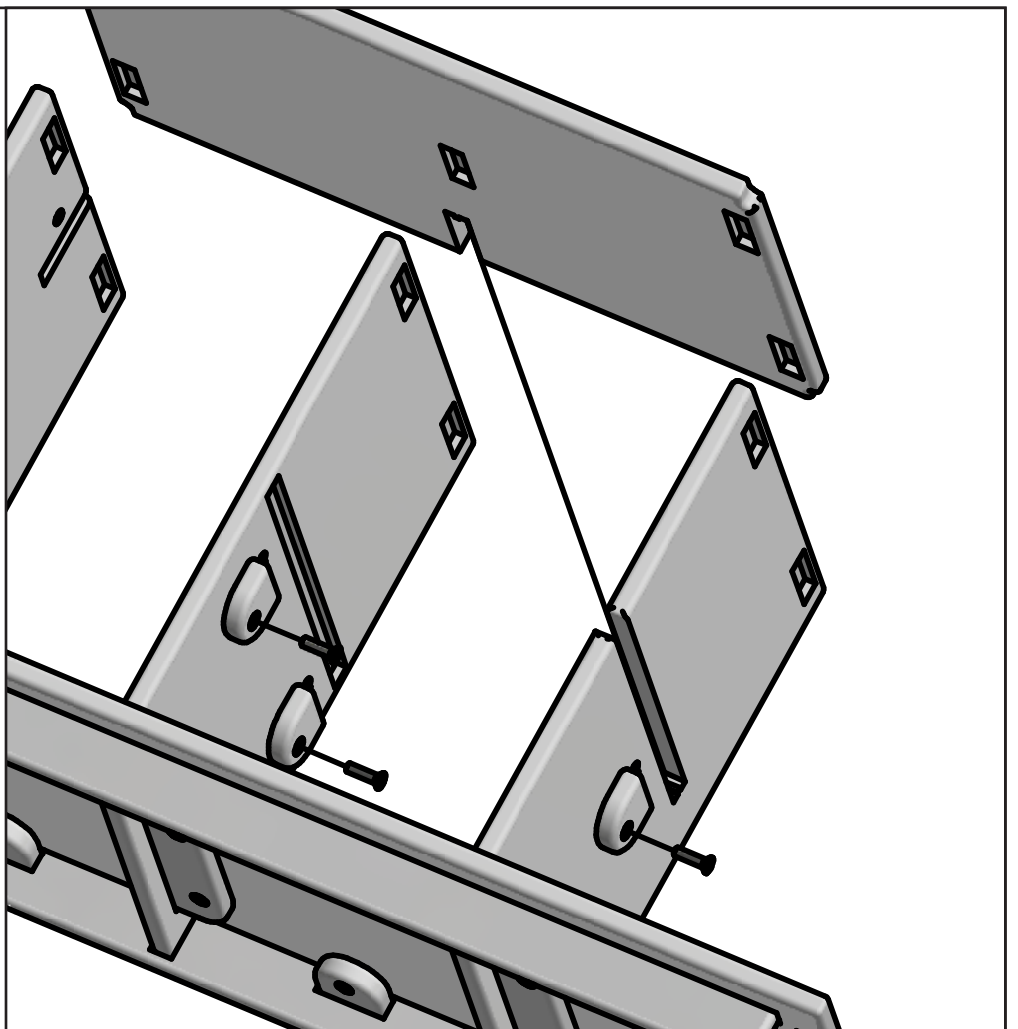
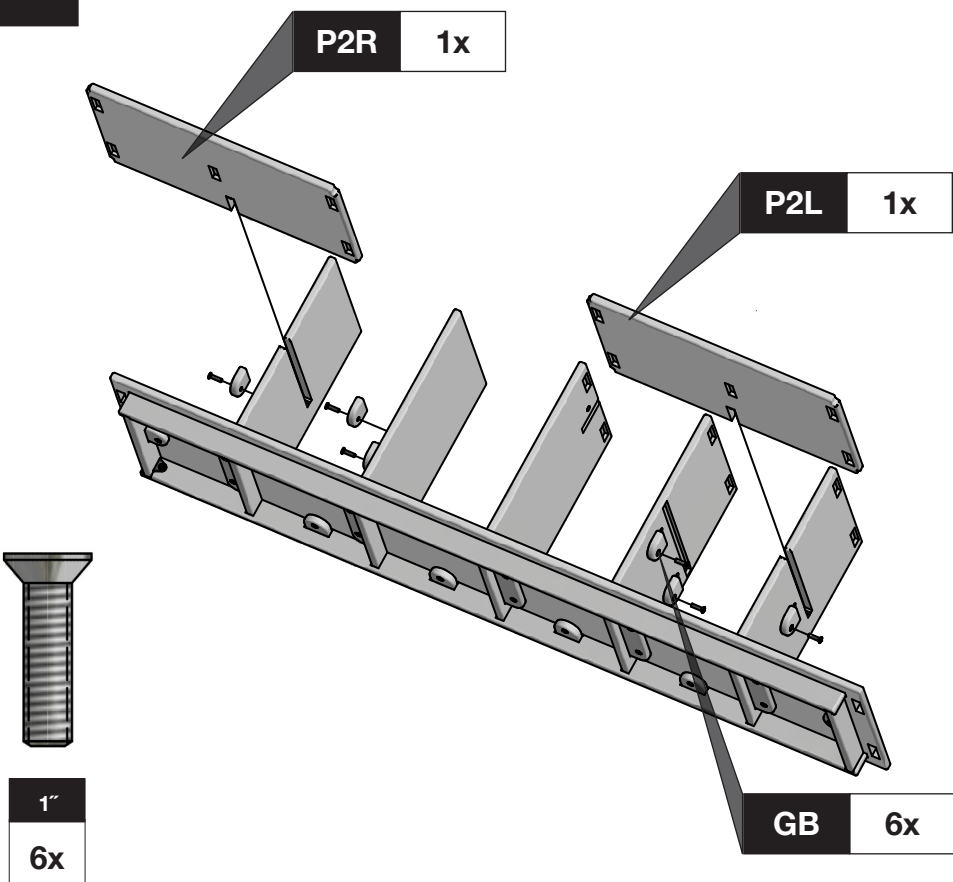
4



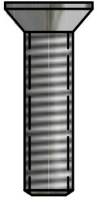
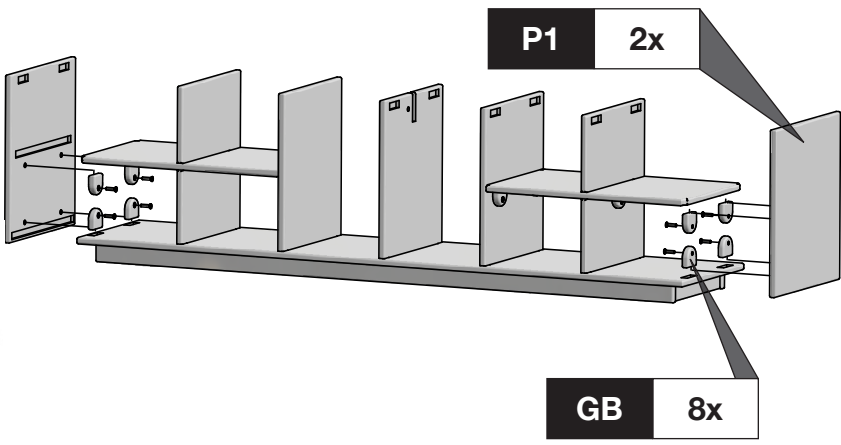
5



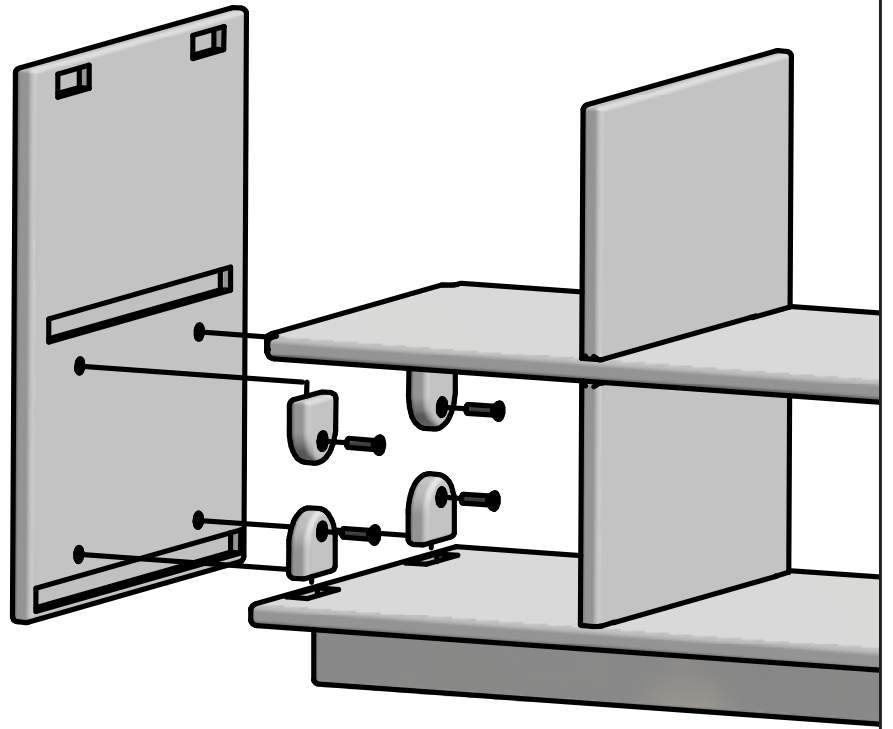
6



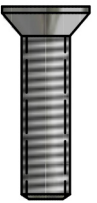
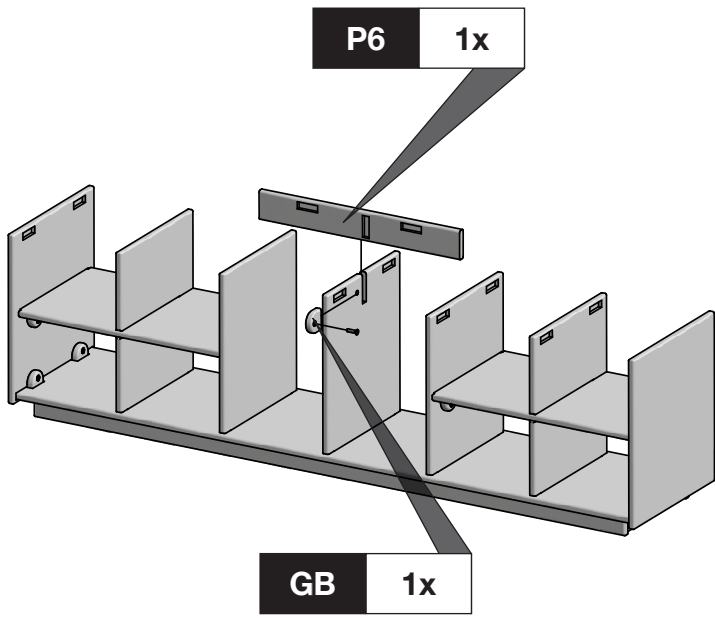
7



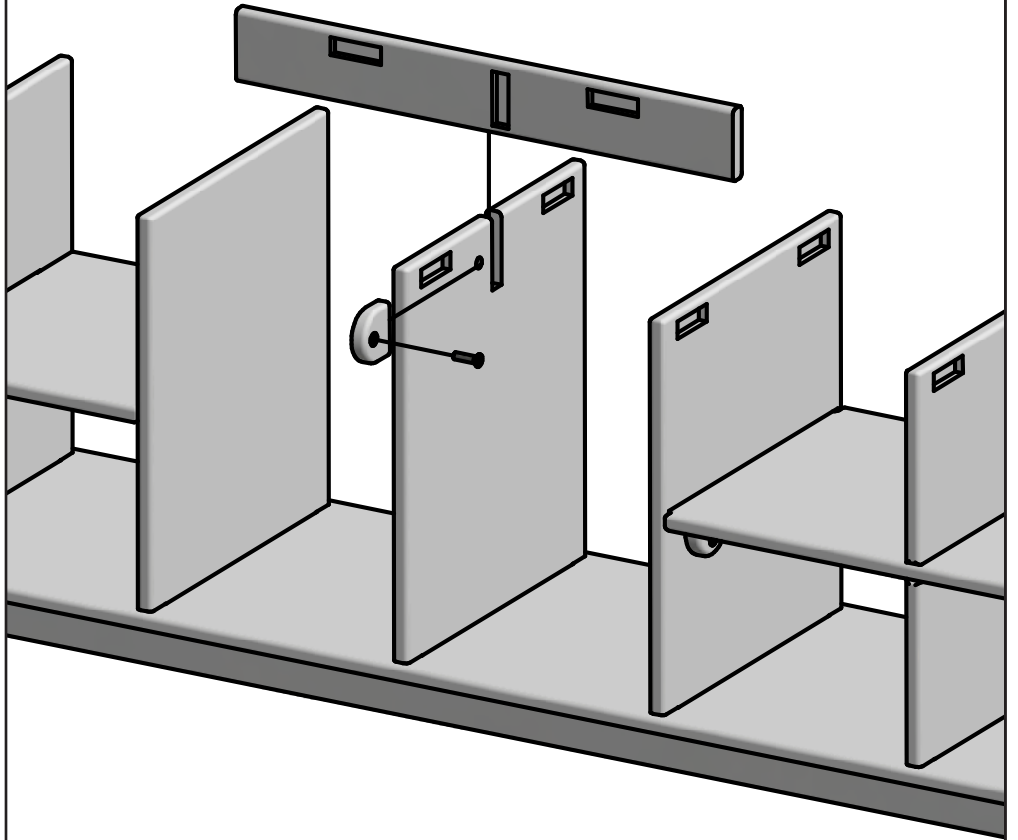
1"
8x



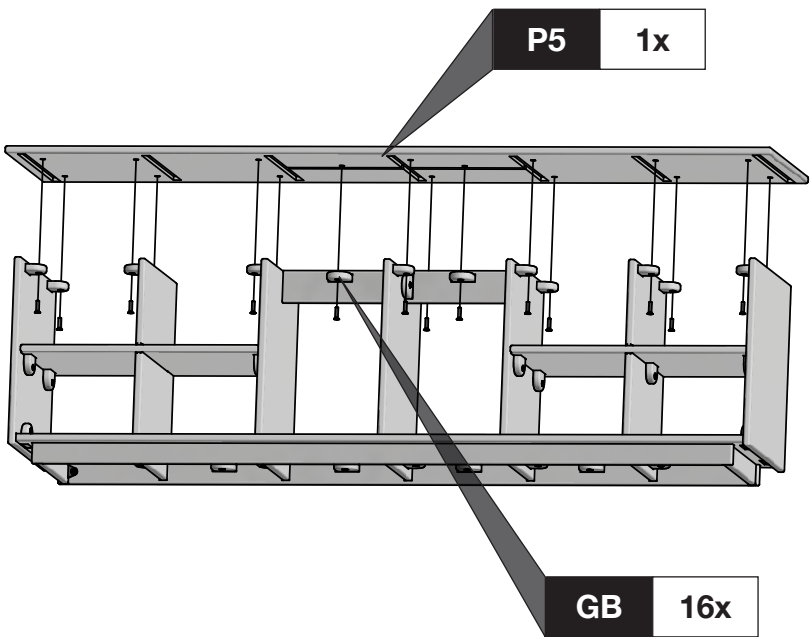
8



1"
1x



9



1"
16x

