



AC-AH-CG-CW



AC-AH-CG-CG



AC-AH-BL-CW



AC-AH-CW-CW



AC-AH-BL-CG



AC-AH-CW-CG

black:

cloud:



AC-AH-LG-CW



AC-AH-AR-CW



AC-AH-LG-CG

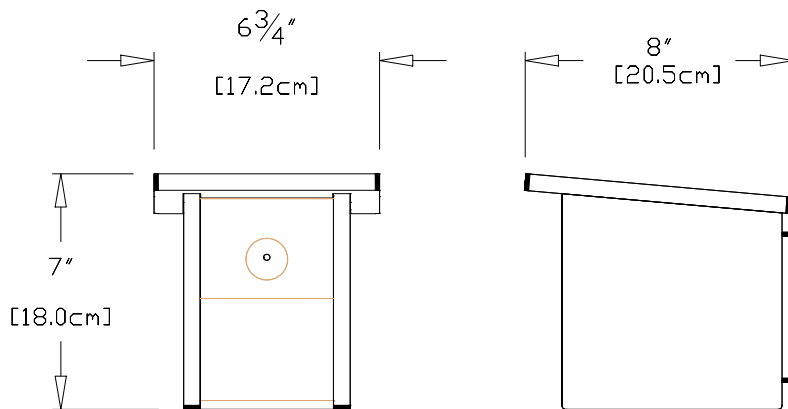


AC-AH-AR-CG

leaf:

apple red:

charcoal:



AC-AH-DW-CW



AC-AH-NB-CW



AC-AH-DW-CG



AC-AH-NB-CG

driftwood:

navy blue:



AC-AH-SB-CW



AC-AH-OR-CW



AC-AH-SB-CG



AC-AH-OR-CG

sky:

sunset:

collection: accessories
material: 100% recycled HDPE
dimensions: width: 6.75" (17.2cm)
 depth: 8" (20.5cm)
 height: 7" (18.0cm)
weight: 3 lbs (1.4kg)



24
 reclaimed
 milk jugs



flat pack shipped
 some assembly required

