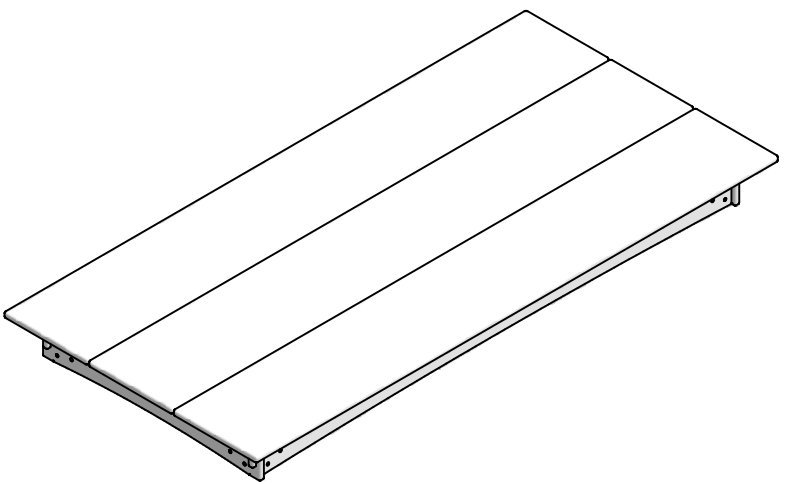
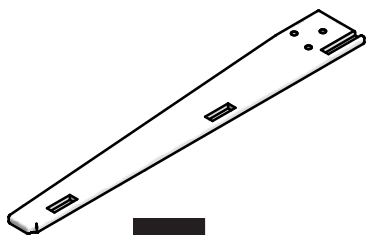


INCLUDED PARTS



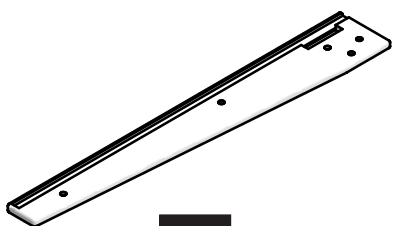
TOP ASSEMBLY

1x



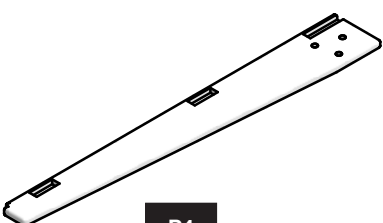
P1

2x



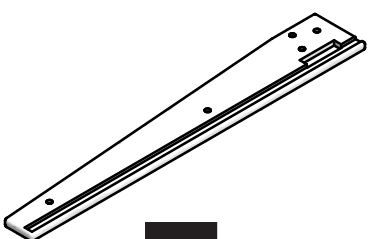
P2

2x



P4

2x



P3

2x



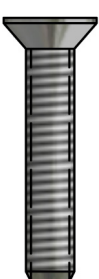
GB

8x



1" BOLT

20x



1.375" BOLT

12x

*Bolts shown actual size

ASSEMBLY TIPS: 5 Important Points You Need to Read

1. Prior to beginning assembly, please inspect and inventory the parts to make sure you have everything and that nothing was damaged during shipping. If damage has occurred please take photos and go to lollidesigns.com/damage. Rest assured we'll get it taken care of straight away!
2. To avoid scratching furniture assemble on a clean soft surface like a blanket, carpet, or the flattened cardboard box the furniture was shipped in.
3. **Start all bolts by hand to ensure proper alignment and to prevent cross threading.** Then using the Allen Key or Loll Tool tighten until you feel resistance.
4. Bolts should not be forced, but some components, particularly the blocks will need a bit of muscle to get them together as they are machined for a snug fit. If parts are still not going together, please send us a photo of the part you are having trouble with.
5. You can use a cordless screw gun if you have one and know how to use it. Set the clutch setting at low to medium torque. We do not recommend using an electric drill without a clutch to install bolts as you can easily overtighten and damage the product.

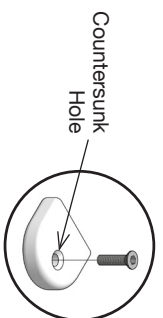
LOLL TOOL

Locate the box marked "Tool Included" before beginning assembly.

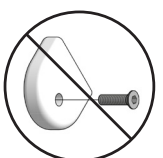


BLOCK & BOLT INSTALLATION

Insert bolts through countersunk hole side of blocks as shown below.



CORRECT



INCORRECT

"Loll Designs inspires people to appreciate the outdoors."

Greg Benson - Founder/CEO

♻️ RECYCLE THE PACKAGING

We've gone through great lengths to make as much our packaging as possible recyclable. The cardboard box, paper wrap, filler and paper bags can all go in your recycling bin. The muslin hardware bags replaced plastic bags with the intention of reducing plastic and encouraging reuse. Loll Designs and Planet Earth thank you!

WE WANT YOU TO LOVE YOUR LOLL

For more info and visual aids, watch the assembly videos at www.lollidesigns.com/videos
For product care & maintenance visit www.lollidesigns.com/care-maintenance
For further lollygagging assistance, please reach out!

+1 877-740-3387

sales@lollidesigns.com

5912 Waseca Street
Duluth, Minnesota 55807

MADE IN THE USA



ASSEMBLY INSTRUCTIONS & PRODUCT INFO:

ALFRESCO TABLE 72 / 82 / 95



LOLL
DESIGNS

1

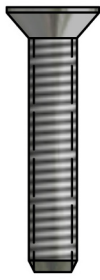
P3

P2

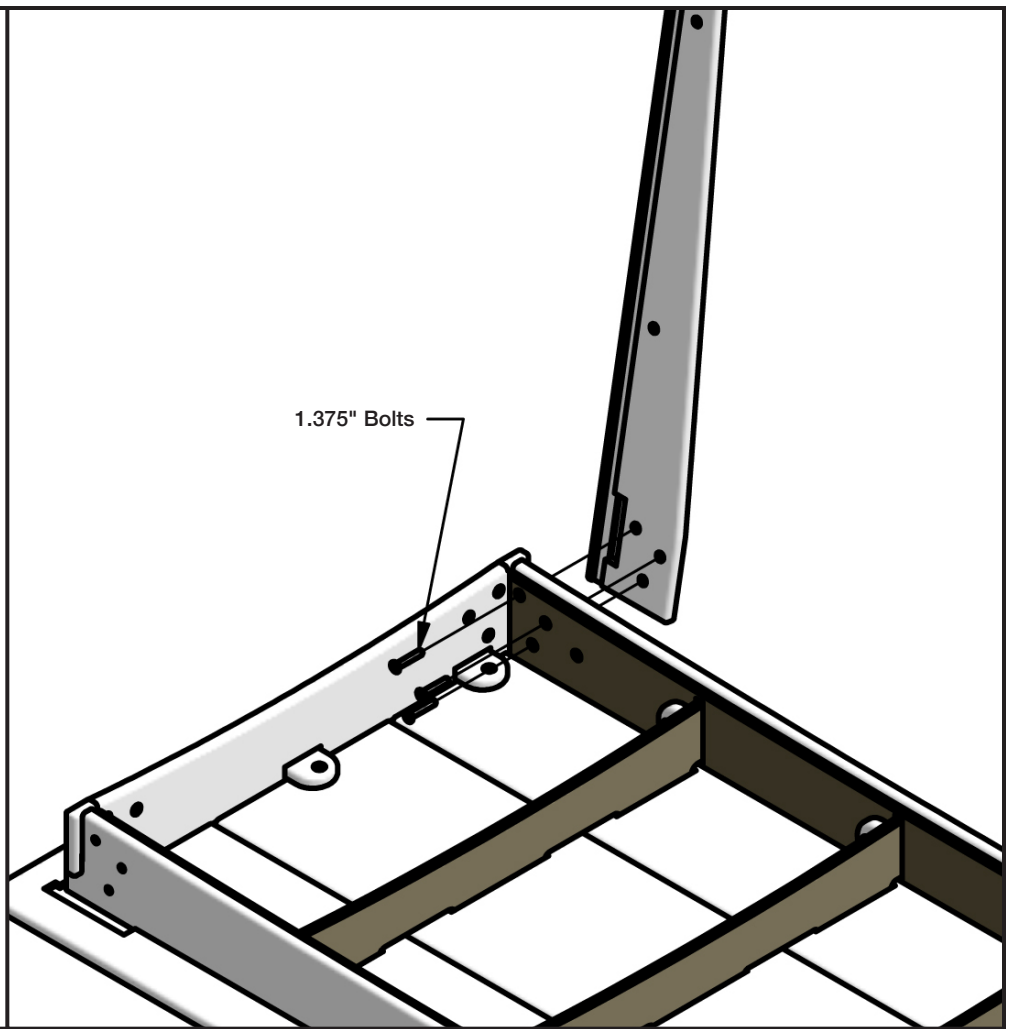
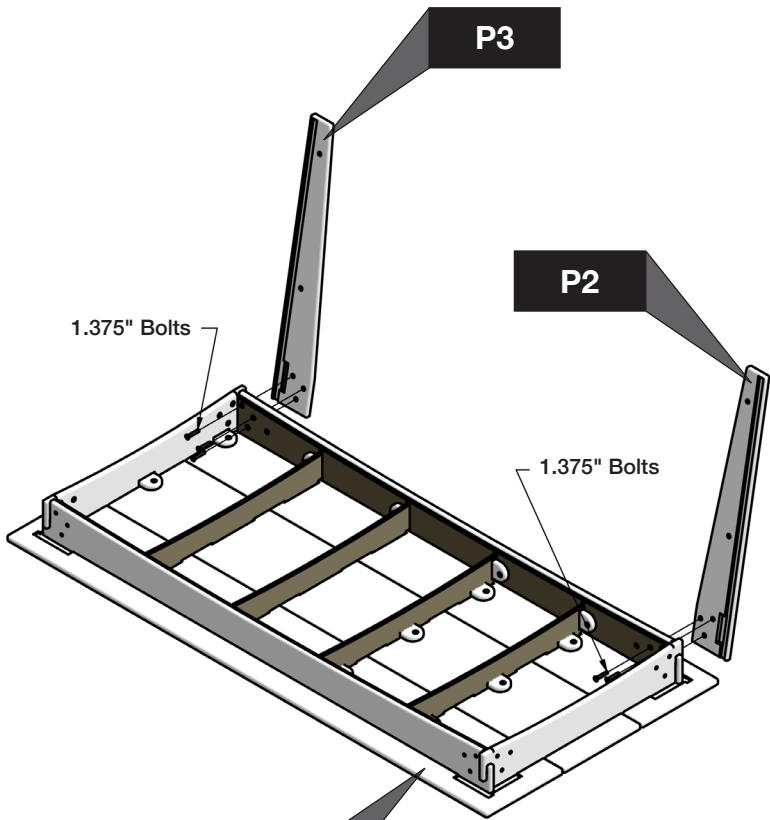
1.375" Bolts

1.375" Bolts

TOP ASSEMBLY



1.375" BOLT
6x

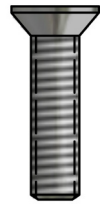


2

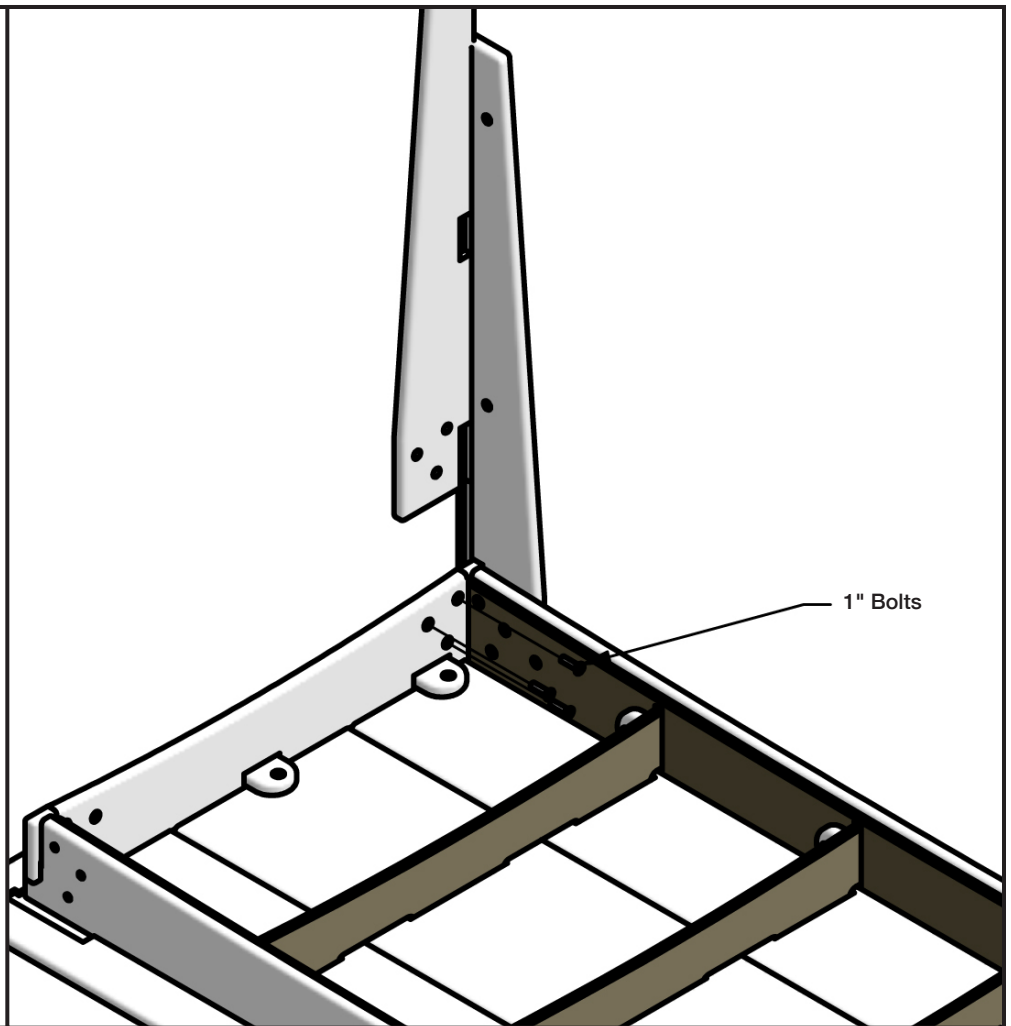
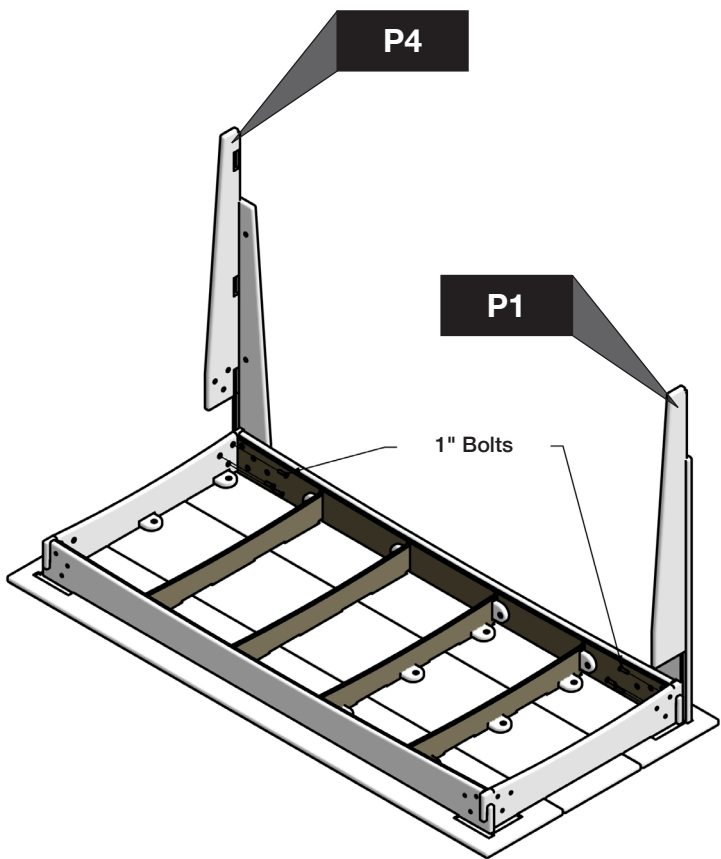
P4

P1

1" Bolts



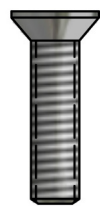
1" BOLT
6x



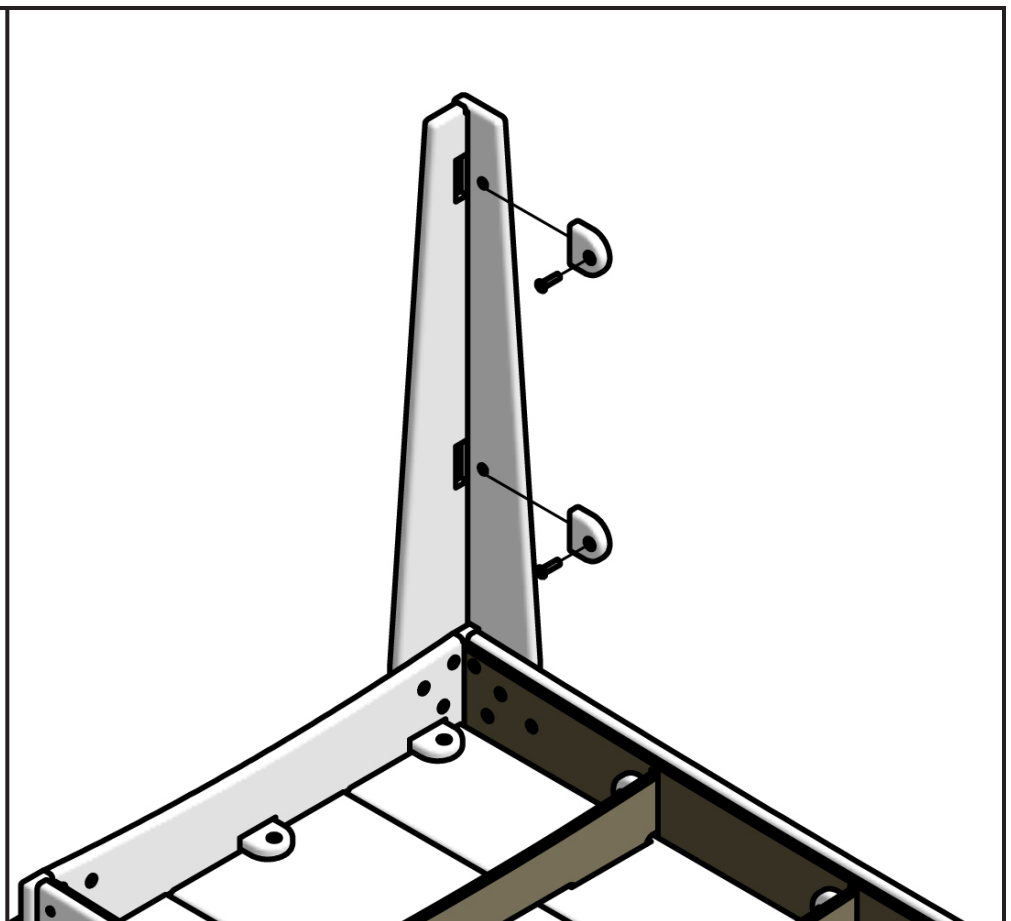
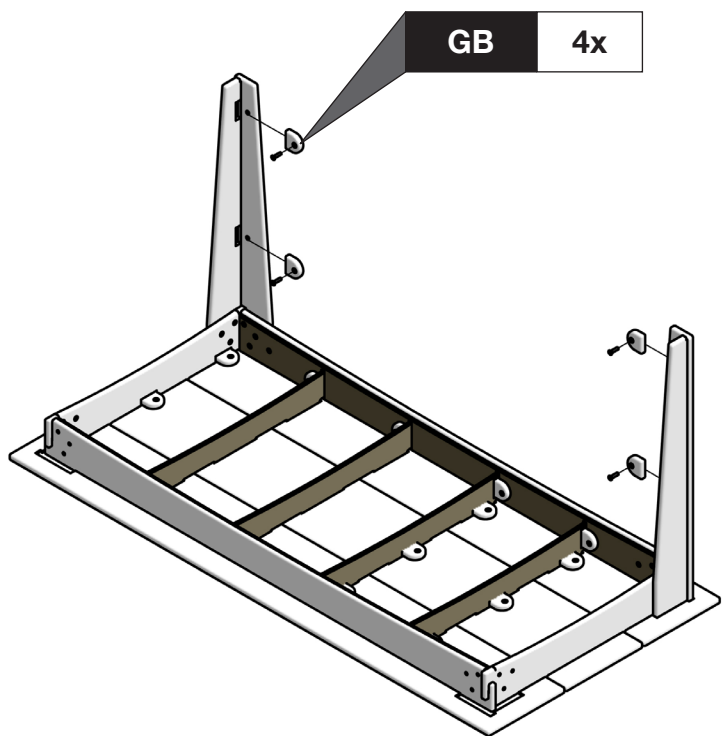
3

GB

4x

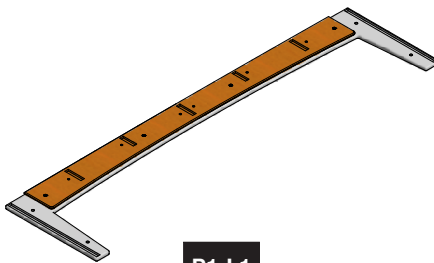
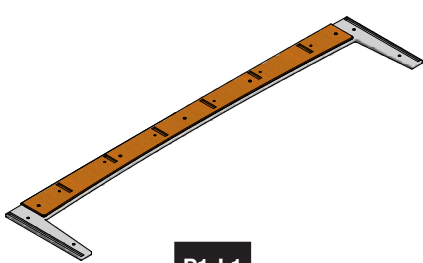
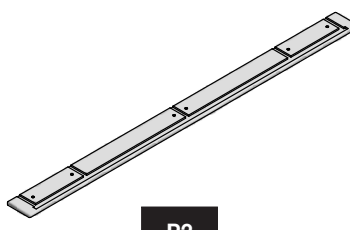
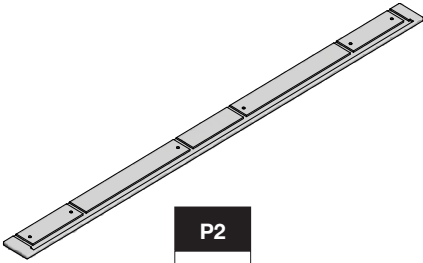
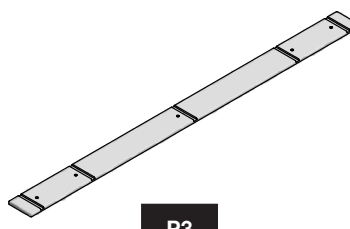
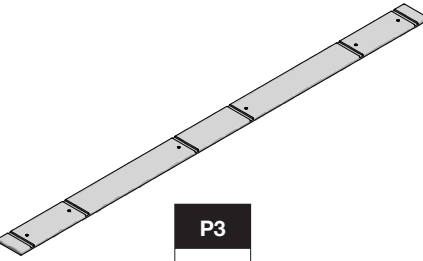
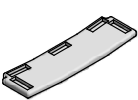
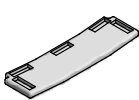
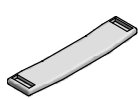
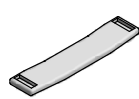
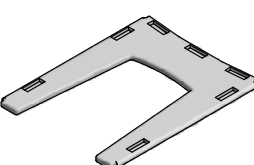
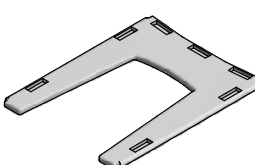




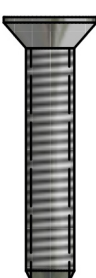
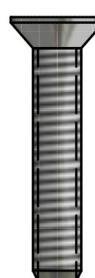


1" BOLT
4x



REPEAT STEPS 1-3 TO ATTACH REMAINING LEGS

INCLUDED PARTS

BENCH 68	BENCH 81
	
P1-L1 2x	P1-L1 2x
	
P2 2x	P2 2x
	
P3 1x	P3 1x
	
P4 3x	P4 4x
	
P5 2x	P5 2x
	
P6 2x	P6 2x
	
GB 33x	GB 38x
	
1" FLAT HEAD 23x	1" FLAT HEAD 26x
	
1.375" FLAT HEAD 10x	1.375" FLAT HEAD 12x

*Bolts shown actual size.

*Bolts shown actual size.

ASSEMBLY TIPS: 5 Important Points You NEED to Read

1. Prior to beginning assembly, please inspect and inventory the parts to make sure you have everything and that nothing was damaged during shipping. If damage has occurred, please take photos and go to lollidesigns.com/damage. Rest assured we'll get it taken care of straight away!
2. To avoid scratching furniture, assemble on a clean soft surface like a blanket, carpet, or the flattened cardboard box the furniture was shipped in.
3. **Start all bolts by hand to ensure proper alignment and to prevent cross threading.** Then using the Allen Key or Loll Tool, tighten until you feel resistance.
4. Bolts should not be forced, but some components, particularly the blocks will need a bit of muscle to get them together as they are machined for a snug fit. If parts are still not going together, please send us a photo of the part you are having trouble with.
5. You can use a cordless screw gun if you have one and know how to use it. Set the clutch setting at low to medium torque. **We do not recommend using an electric drill without a clutch** to install bolts as you can easily overtighten and damage the product.

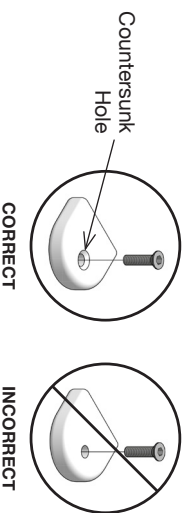
LOLL TOOL

Locate the box marked "Tool Included" before beginning assembly.



BLOCK & BOLT INSTALLATION

Insert bolts through countersunk hole side of blocks as shown below.



"Loll Designs inspires people to appreciate the outdoors."

Greg Benson - Founder/CEO

♻️ RECYCLE THE PACKAGING

We've gone through great lengths to make as much of our packaging as possible recyclable. The cardboard box, paper wrap, filler and paper bags can all go in your recycling bin. The muslin hardware bags replaced plastic bags with the intention of reducing plastic and encouraging reuse. Loll Designs and Planet Earth thank you!

WE WANT YOU TO LOVE YOUR LOLL

For more info and visual aids, watch the assembly videos at www.lollidesigns.com/videos. For product care & maintenance, visit www.lollidesigns.com/care-maintenance. For further lollygagging assistance, please reach out!

+1 877-740-3387
sales@lollidesigns.com

5912 Waseca Street
Duluth, Minnesota 55807

ASSEMBLY INSTRUCTIONS & PRODUCT INFO:

ALFRESCO BENCH 68 / 81



MADE IN THE USA

certified CREDITSOURCE

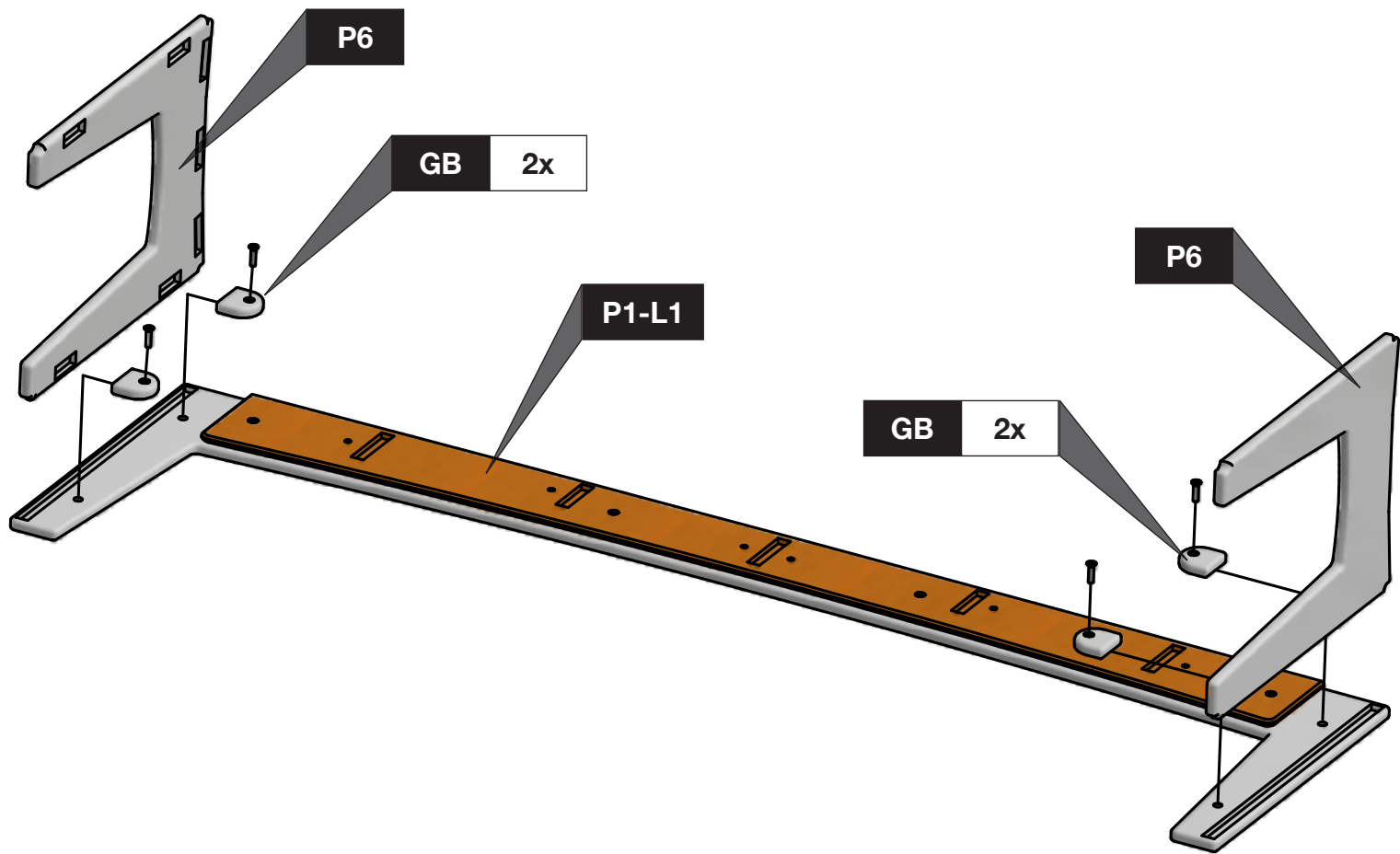
ORIGINAL Member

1% FOR THE PLANET MEMBER #510

it's good to be recycled

LOLL DESIGNS

1

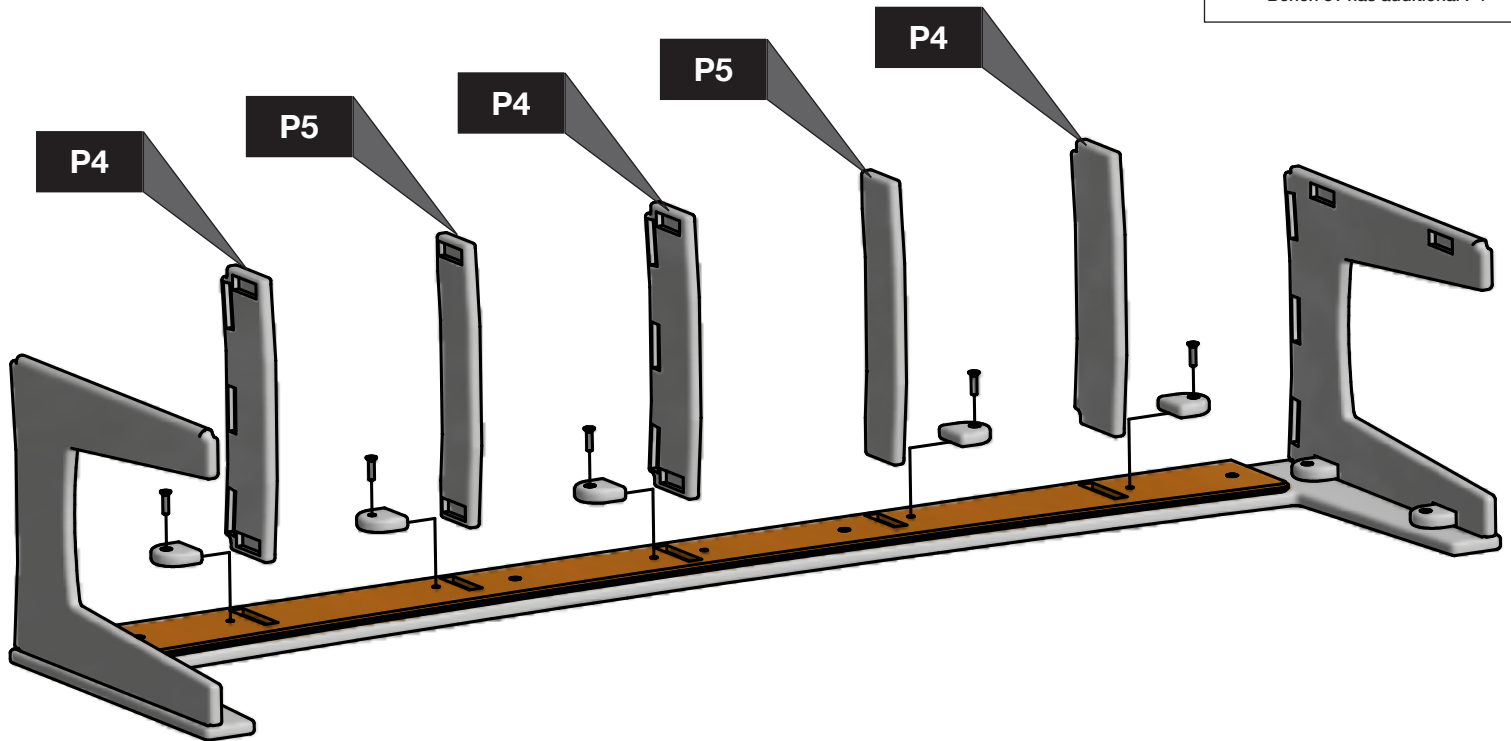


1"
4x

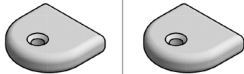
** Bench 68 Shown **

2

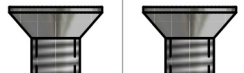
Bench 81 has additional P4



BENCH 68 BENCH 81



GB
5x

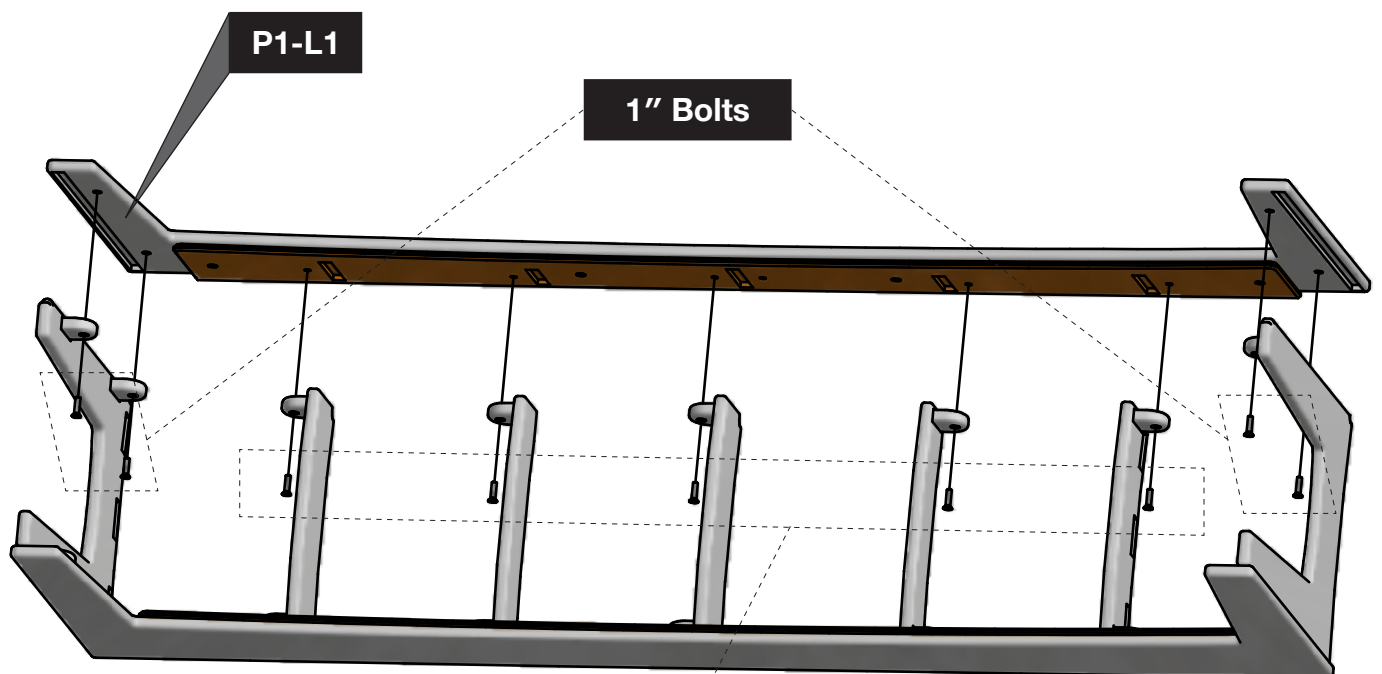


GB
6x

1.375"
5x 1.375"
6x

** Bench 68 Shown **

3



BENCH 68 BENCH 81



GB
9x



GB
10x

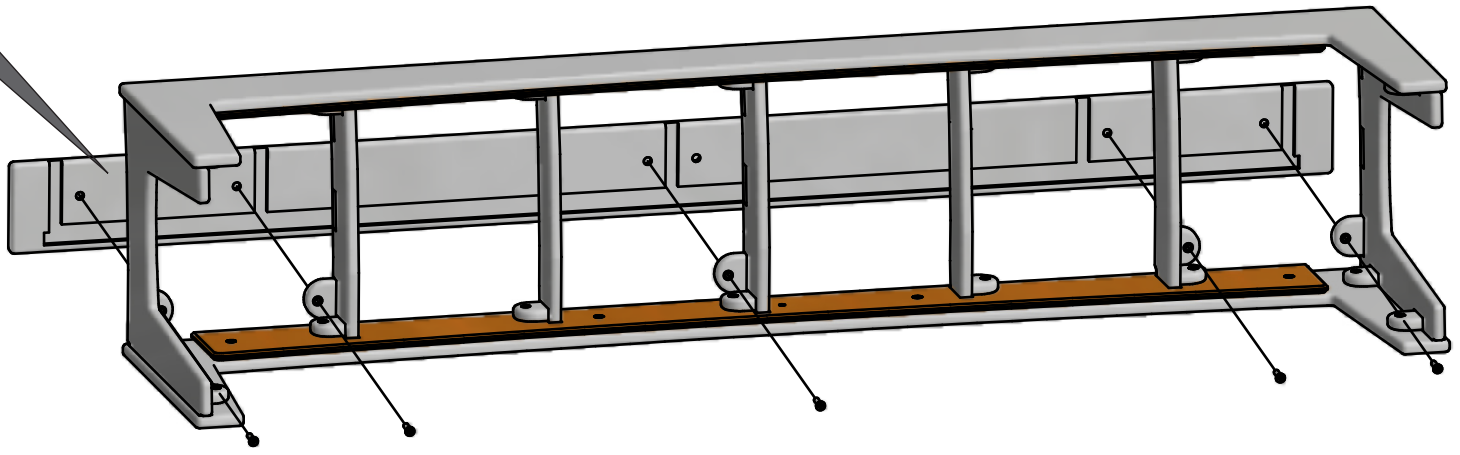
1.375" 1"
5x 4x

1.375" 1"
6x 4x

** Bench 68 Shown **

4

P2



BENCH 68

BENCH 81



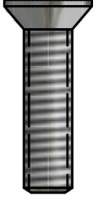
GB

5x



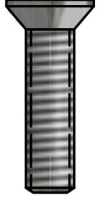
GB

6x



1"

5x



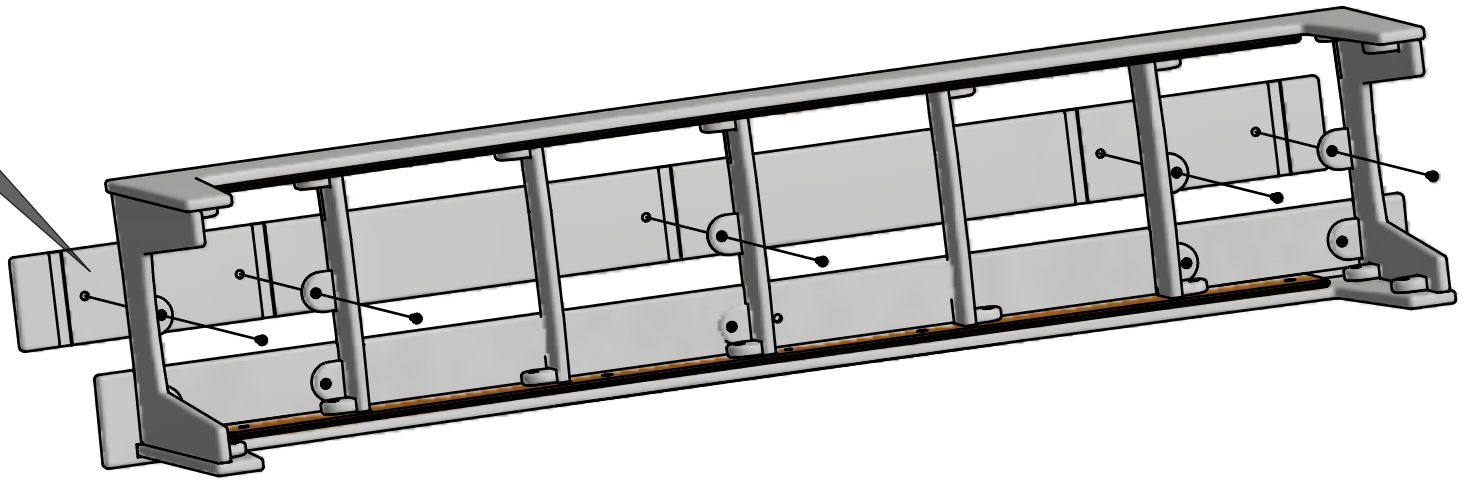
1"

6x

** Bench 68 Shown **

5

P3



BENCH 68

BENCH 81



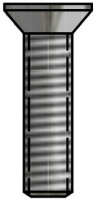
GB

5x



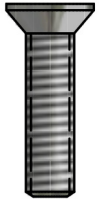
GB

6x



1"

5x



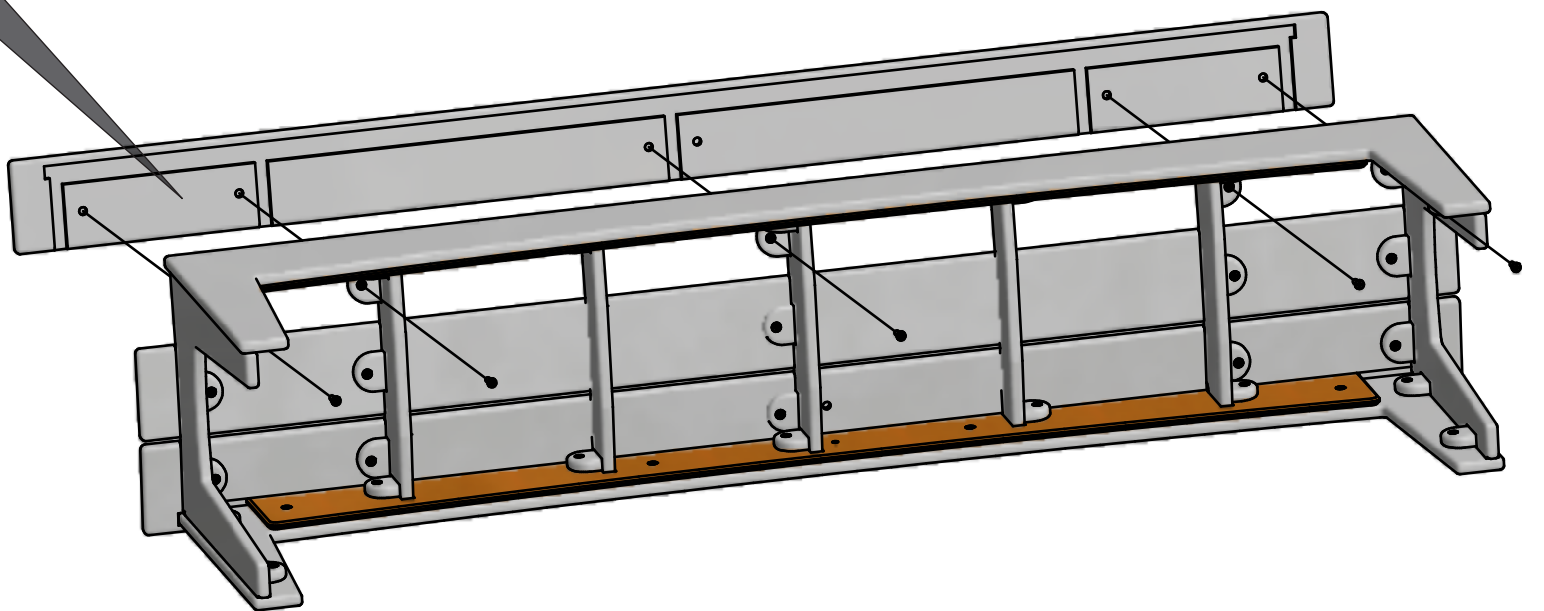
1"

6x

** Bench 68 Shown **

6

P2



BENCH 68

BENCH 81



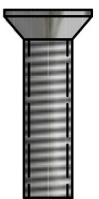
GB

5x



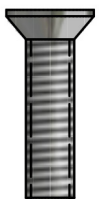
GB

6x



1"

5x



1"

6x

** Bench 68 Shown **