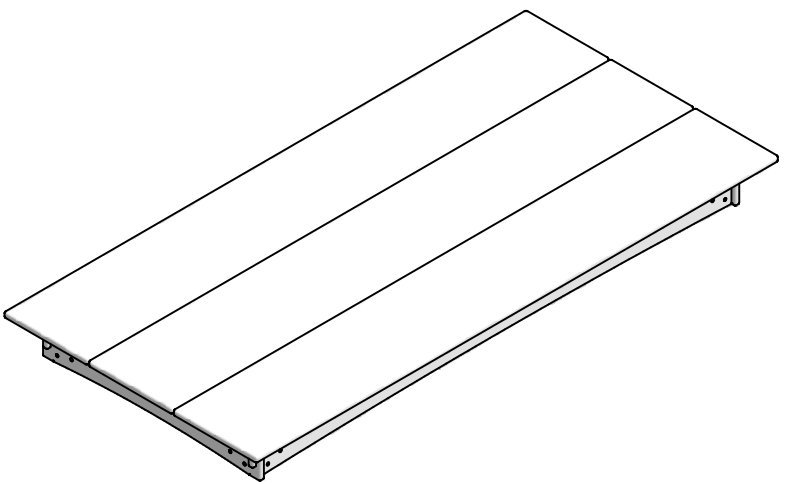
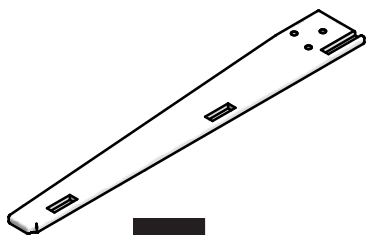


## INCLUDED PARTS



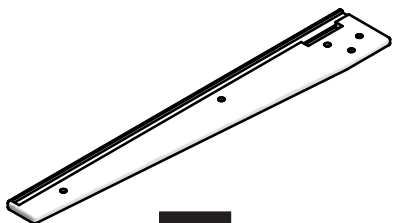
TOP ASSEMBLY

1x



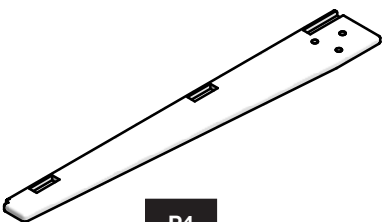
P1

2x



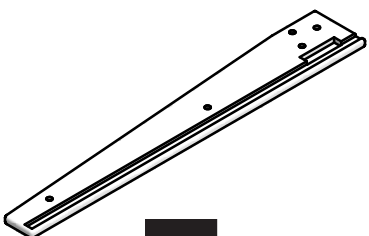
P2

2x



P4

2x



P3

2x



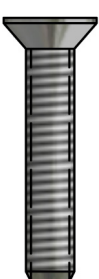
GB

8x



1" BOLT

20x



1.375" BOLT

12x

\*Bolts shown actual size

## ASSEMBLY TIPS: 5 Important Points You Need to Read

1. Prior to beginning assembly, please inspect and inventory the parts to make sure you have everything and that nothing was damaged during shipping. If damage has occurred please take photos and go to [lollidesigns.com/damage](http://lollidesigns.com/damage). Rest assured we'll get it taken care of straight away!
2. To avoid scratching furniture assemble on a clean soft surface like a blanket, carpet, or the flattened cardboard box the furniture was shipped in.
3. **Start all bolts by hand to ensure proper alignment and to prevent cross threading.** Then using the Allen Key or Loll Tool tighten until you feel resistance.
4. Bolts should not be forced, but some components, particularly the blocks will need a bit of muscle to get them together as they are machined for a snug fit. If parts are still not going together, please send us a photo of the part you are having trouble with.
5. You can use a cordless screw gun if you have one and know how to use it. Set the clutch setting at low to medium torque. We do not recommend using an electric drill without a clutch to install bolts as you can easily overtighten and damage the product.

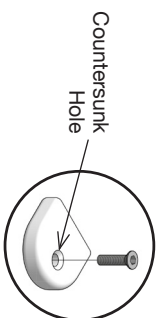
## LOLL TOOL

Locate the box marked "Tool Included" before beginning assembly.

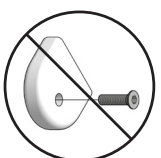


## BLOCK & BOLT INSTALLATION

Insert bolts through countersunk hole side of blocks as shown below.



CORRECT



INCORRECT

*"Loll Designs inspires people to appreciate the outdoors."*

Greg Benson - Founder/CEO

## ♻️ RECYCLE THE PACKAGING

We've gone through great lengths to make as much our packaging as possible recyclable. The cardboard box, paper wrap, filler and paper bags can all go in your recycling bin. The muslin hardware bags replaced plastic bags with the intention of reducing plastic and encouraging reuse. Loll Designs and Planet Earth thank you!

## WE WANT YOU TO LOVE YOUR LOLL

For more info and visual aids, watch the assembly videos at [www.lollidesigns.com/videos](http://www.lollidesigns.com/videos)  
For product care & maintenance visit [www.lollidesigns.com/care-maintenance](http://www.lollidesigns.com/care-maintenance)  
For further lollygagging assistance, please reach out!

+1 877-740-3387

[sales@lollidesigns.com](mailto:sales@lollidesigns.com)

5912 Waseca Street  
Duluth, Minnesota 55807

MADE IN THE USA



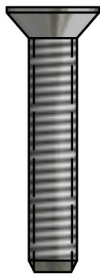
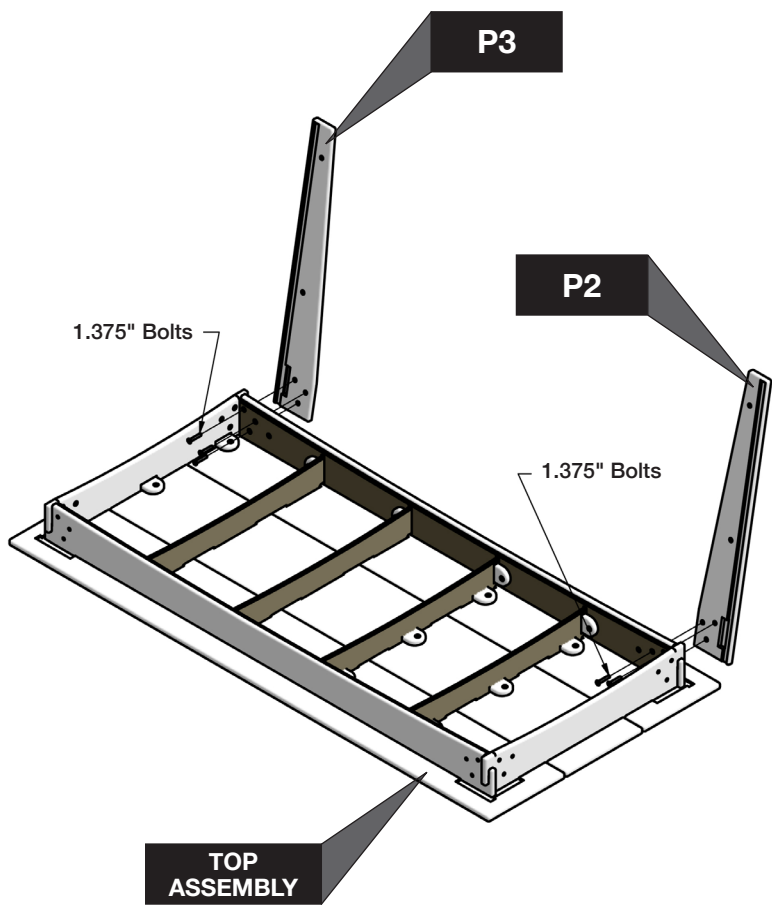
ASSEMBLY INSTRUCTIONS & PRODUCT INFO:

ALFRESCO TABLE 72 / 82 / 95

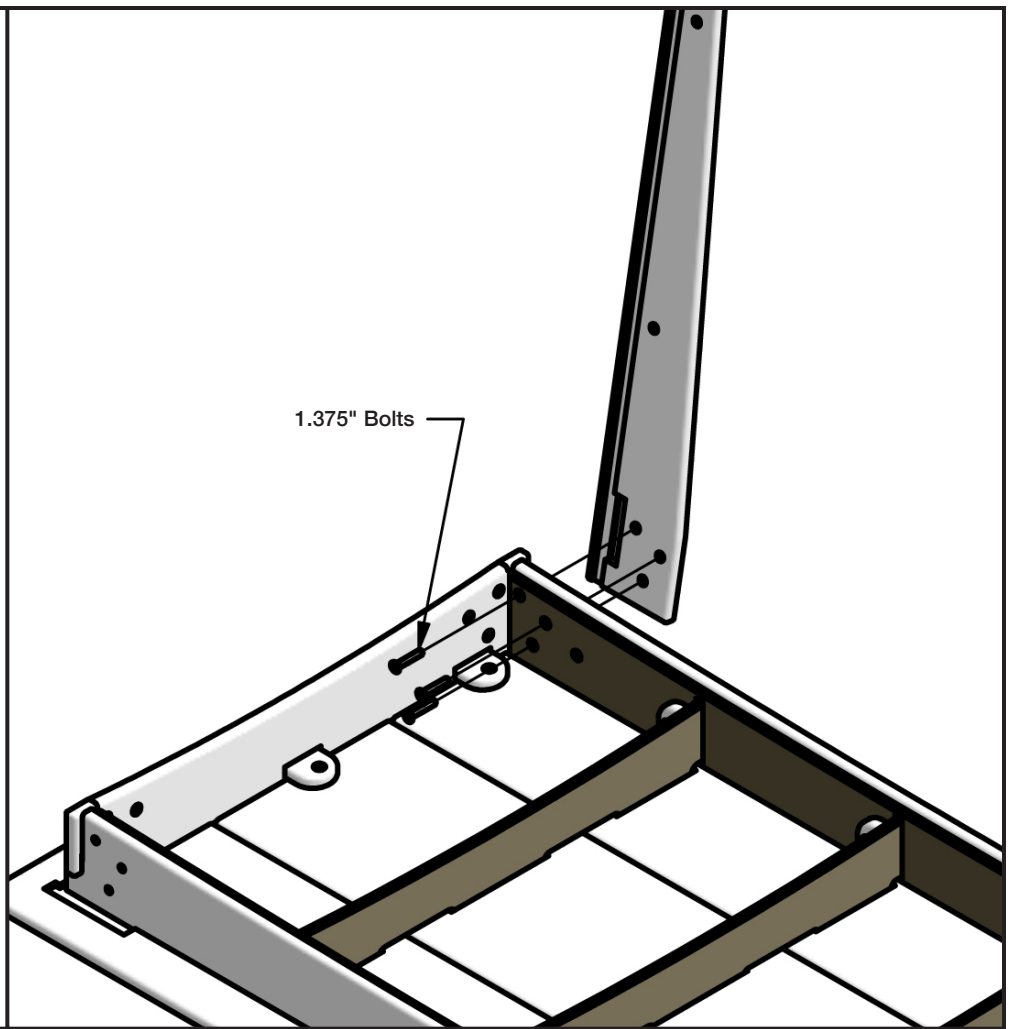


LOLL  
DESIGNS

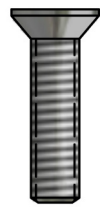
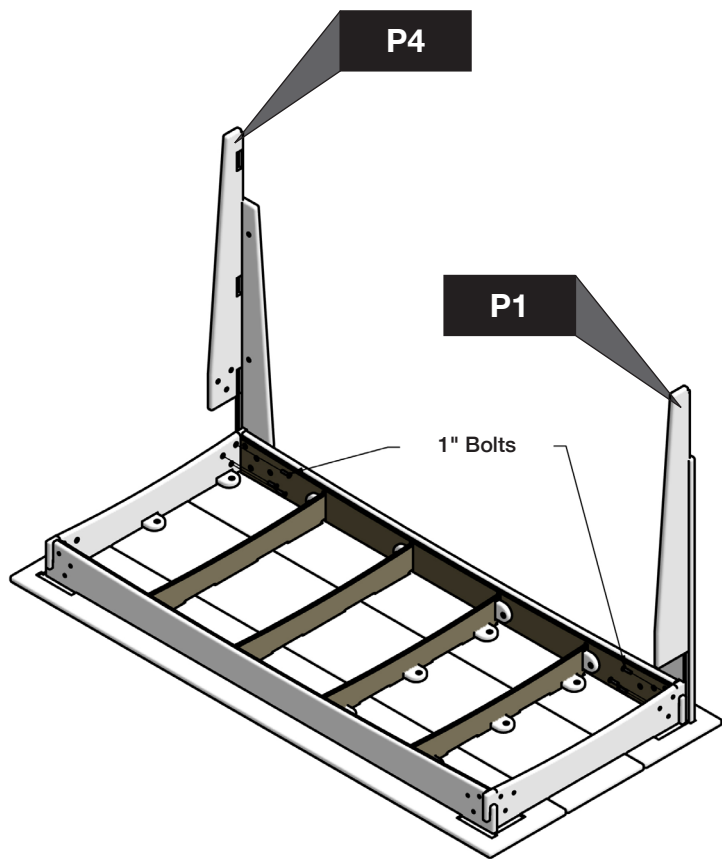
1



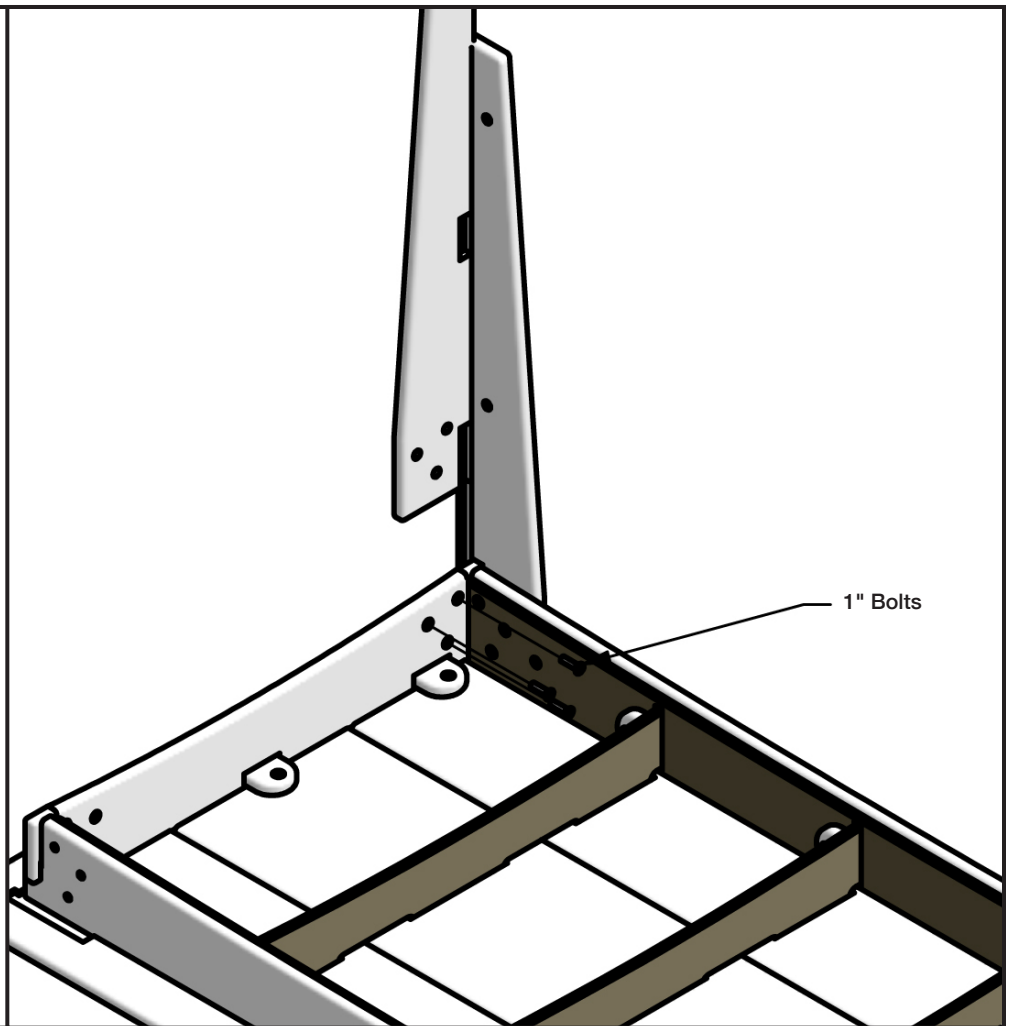
1.375" BOLT  
6x



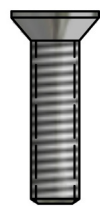
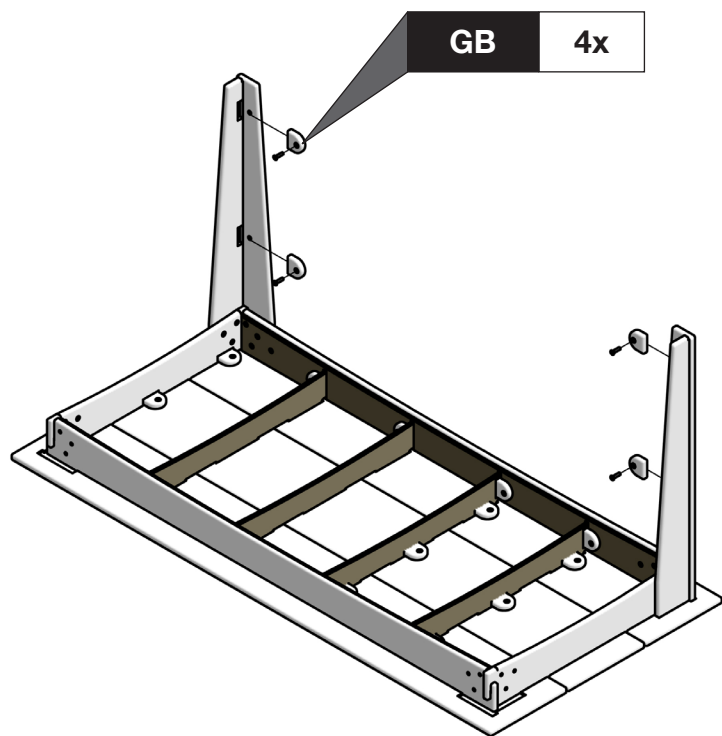
2



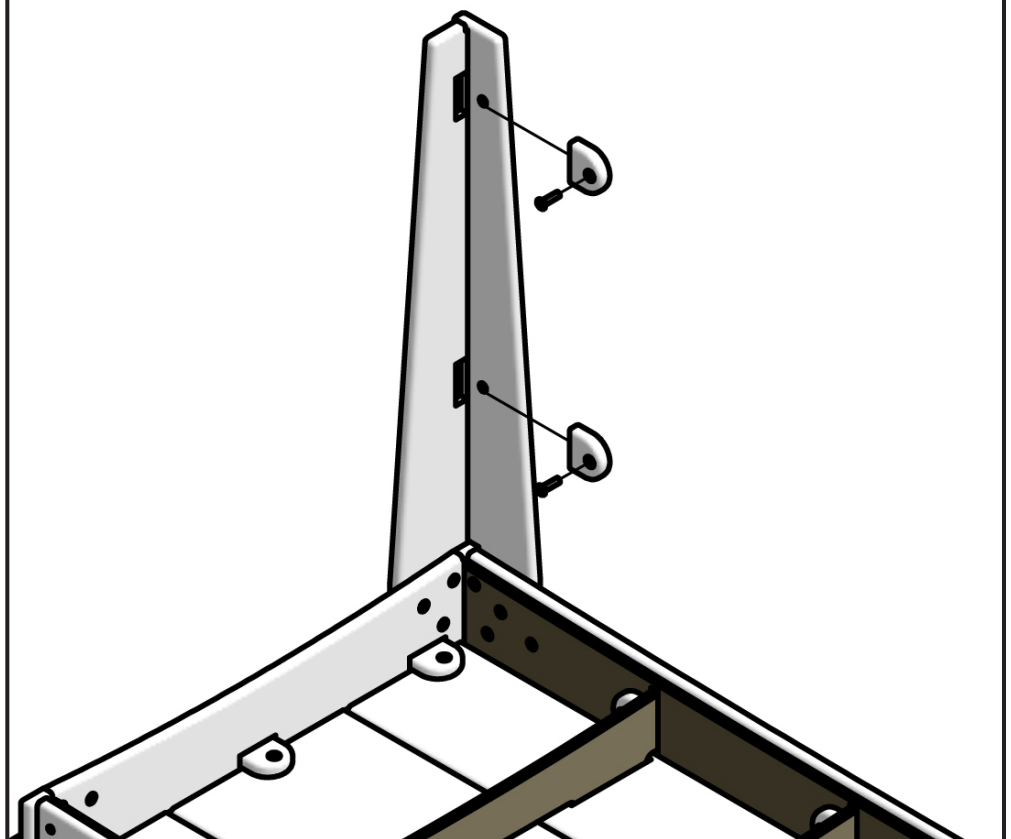
1" BOLT  
6x



3



1" BOLT  
4x



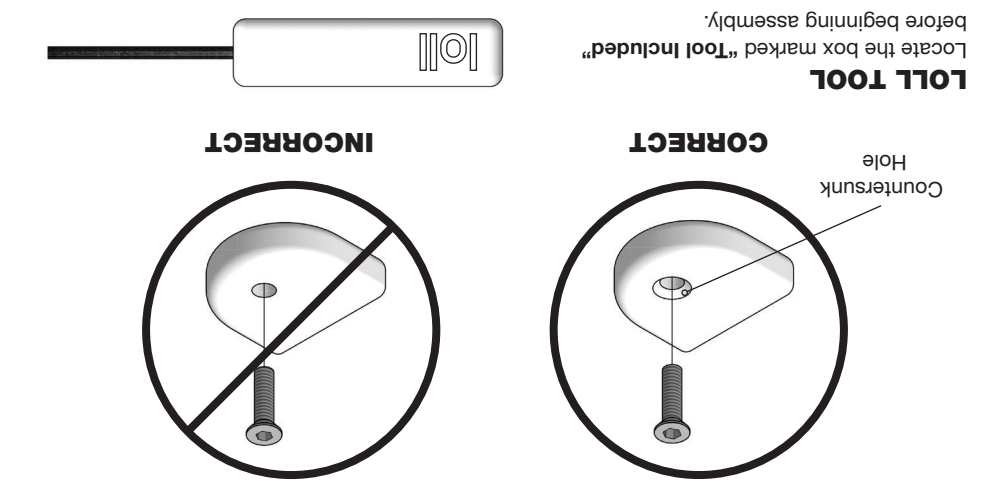
REPEAT STEPS 1-3 TO ATTACH REMAINING LEGS

**5 YR WARRANTY**  
Loll Designs strives to build long-term relationships based on confidence and trust with our customers. We sit beside, on top, and beneath the quality of our fine furniture and will make things right if you are not completely satisfied with your purchase. Loll Designs hereby guarantees that the piece will be of good quality and workmanship, free from faults and defects. Loll warrants that all components will not fail, under normal use, for five years from the year mark on the piece or the date of purchase. For commercial orders the warranty is three years.

**PRODUCT CARE**  
Your new Loll furniture is a no maintenance product. You'll never need to paint or stain it and it can be left outside all year regardless of the season. It will not rot, even if left standing in water. Nonetheless, we're pretty sure your Loll furniture will get a lot of use and will at some point need cleaning. We recommend a garden hose and incorporating a soft bristle brush. Adding a tablespoon or two of your favorite eco-friendly soap to the wash will get everything squeaky clean. Mineral deposits left over from hard water can be removed with a solution of vinegar and water. Loll offers a cleaning kit that has everything you need for great results. Also see our cleaning video at lollidesigns.com/videos.

Loll Designs inspires people to appreciate the outdoors.

**ASSEMBLY INSTRUCTIONS & PRODUCT INFO: ALFRESCO BENCH 47 & 58**



**BLOCK & BOLT INSTALLATION**  
Insert bolts through countersunk hole side of blocks as shown below.

**ASSEMBLY TIPS**  
To avoid damaging furniture perform the assembly of your Loll furniture on a clean soft surface like a blanket, carpet, or the flattened cardboard box the furniture was shipped in. Components should not be unnecessarily forced together! If it seems parts aren't fitting together you likely have something wrong and you should read the instructions to ensure you are aligning the proper components. If your piece of furniture requires "Blocks" for assembly one side may have protective film on it. This surface is hidden after assembly so the film can remain on the block or it can be removed. Use a Cordless Screw Gun if you have one and know how to use it. Set the clutch setting at medium torque. We do not recommend using an electric drill with a cord and without a clutch to install bolts in inserts as you can easily overtighten and damage the product. All bolts come standard with a thread coating to reduce bolts loosening after assembly while still allowing removal and reuse of the bolt. Start all bolts by hand, with the Allen Key, or the Loll Tool and tighten firmly until parts are drawn tight together and you can't muscle the bolt any tighter. It's virtually impossible to over tighten by hand. Watch the assembly videos at www.lollidesigns.com/videos for even more information and visual aids. If you have more questions please contact your Loll Sales Associate or Customer Service for support at 877.740.3387. **A Pro Tool Kit!** can also be purchased from Loll for multi piece assembly jobs.  
\*\* Please Recycle the BOX and paper packaging. The green plastic stretch wrap we use is compostable.

**DAMAGED PRODUCT**  
Sometimes accidents occur. Please inspect your Loll furniture when you receive it to make sure that it has not been damaged during shipping. If damage has occurred please take digital pictures of the damaged furniture and the box it was shipped in, and email them to sales@lollidesigns.com or call Customer Service using our toll free number: 877.740.3387, ext. 1. The damage will be assessed and you will be contacted with a solution to the problem. It may be helpful to save all of your packaging material in case a return is necessary.



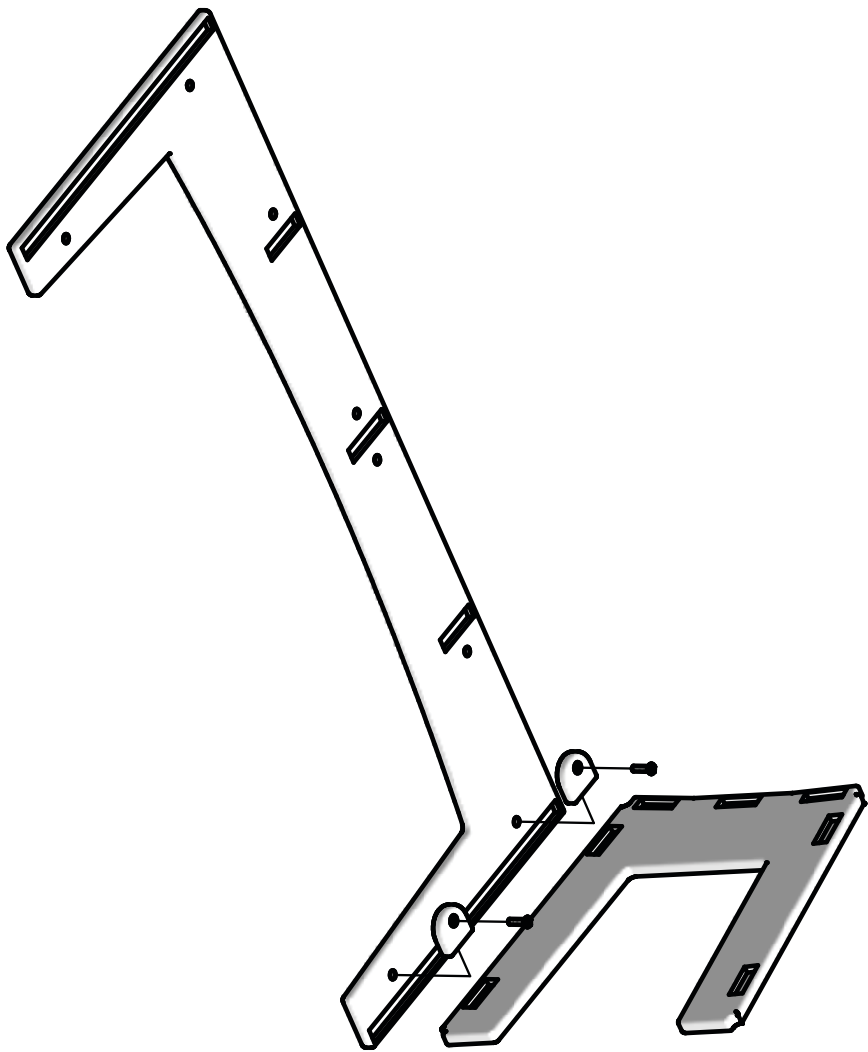
INCLUDED PARTS		COUNT	COUNT	COUNT
SIDES	<p>47" Sides (X2)</p>	2	LARGE RIB	1
				2
SEAT SLATS	<p>47" Slats</p>	3	SMALL RIB	2
END		2	BLOCK G	23
				28
			1" BOLT	23
				28



# ASSEMBLY INSTRUCTIONS

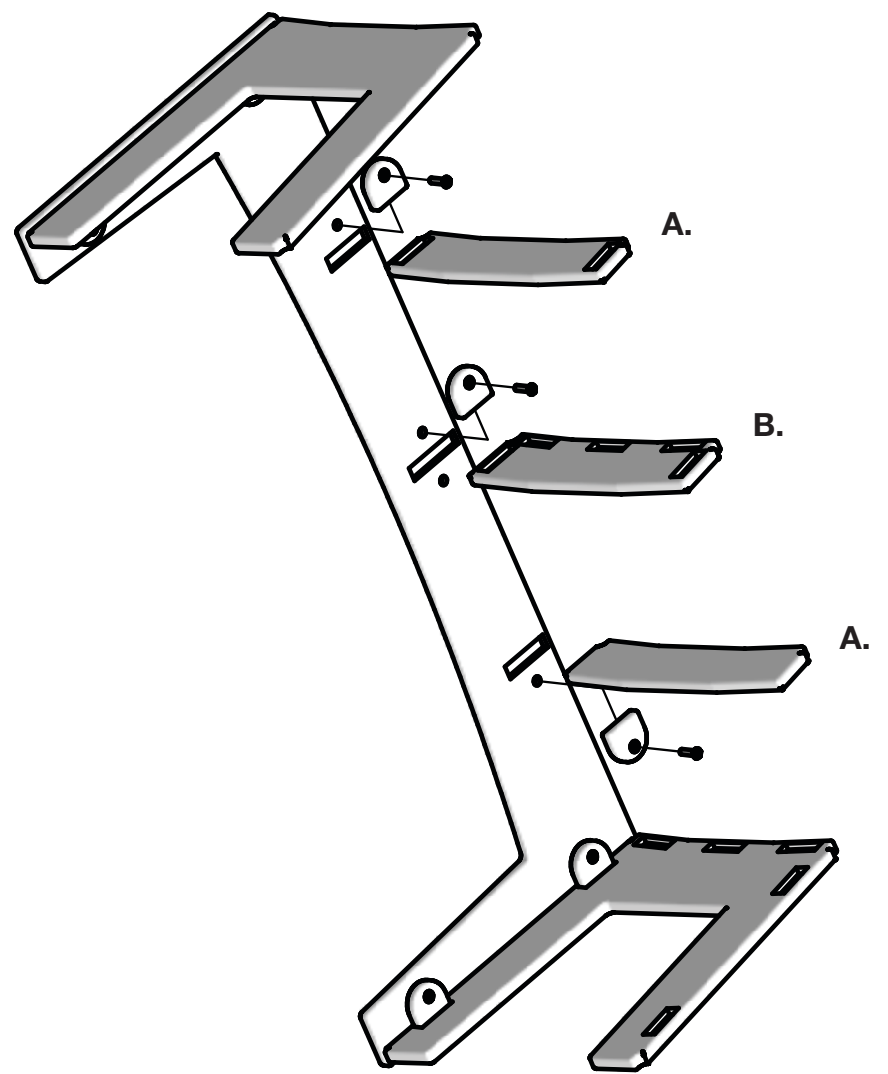
\* It is very important that you finger tighten all bolts into inserts to ensure that you do not cross-thread bolts and inserts before tightening. It will also be easier if you wait to tighten bolts until you have all bolts installed and the piece completely assembled. This will allow for more movement of individual pieces and help in aligning holes with inserts. Use the Allen Tool provided to finish tighten bolt until snug.

## 1 ATTACH ENDS



**\*Please read Assembly Tips before beginning assembly.**  
Fit End into the Side's groove track cut out. Place Blocks G into the Ends pocket cut outs, insert bolts through the blocks into the Side's threaded holes, and finger tighten. Repeat for opposite End.

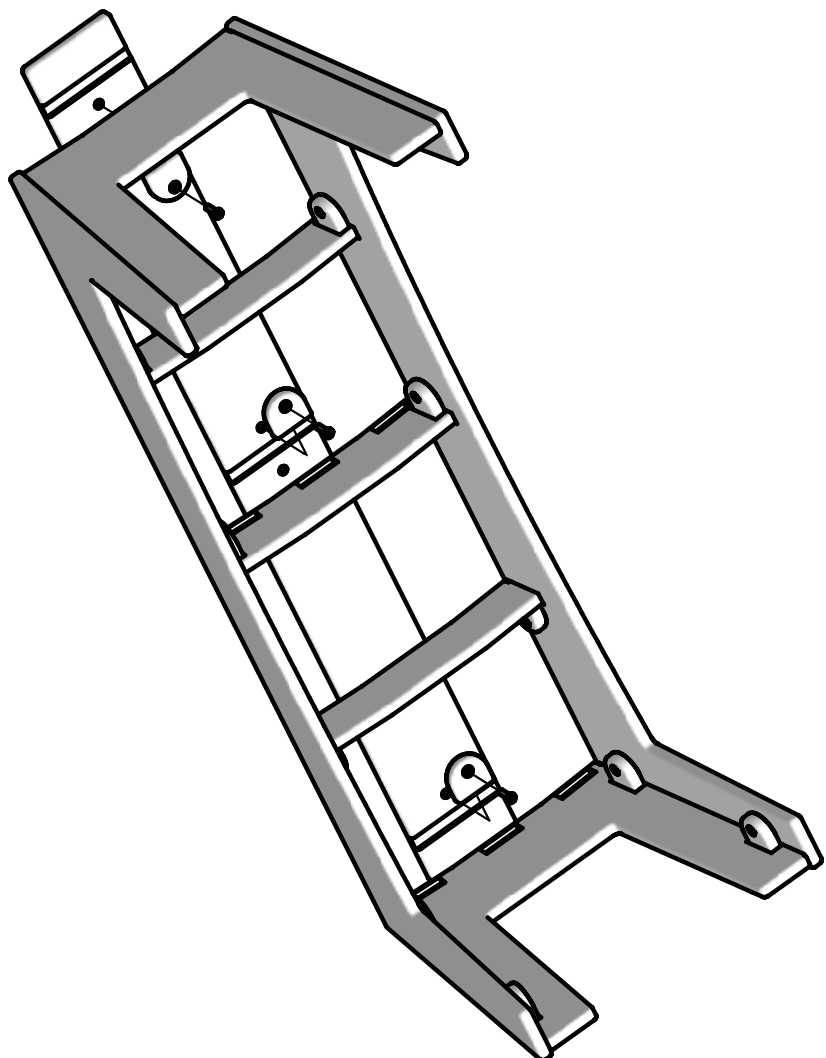
## 2 ATTACH RIBS



**A.** Fit short edge of the Small Ribs into the Side's outer pocket cut outs with the Ribs pocket cut out facing the threaded hole in the Side. Place Blocks G into the Rib's pocket cut outs, insert bolts through the blocks into the Side's threaded holes, and finger tighten.

**B.** Fit short edge of the Large Ribs into the Side's center pocket cut outs with the Ribs pocket cut out facing the threaded hole in the Side (for 47" an additional hole is provided making Rib direction universal). Place Blocks G into the Rib's pocket cut outs, insert bolts through the blocks into the Side's threaded holes, and finger tighten. (2 Large Ribs for 58" Bench.)

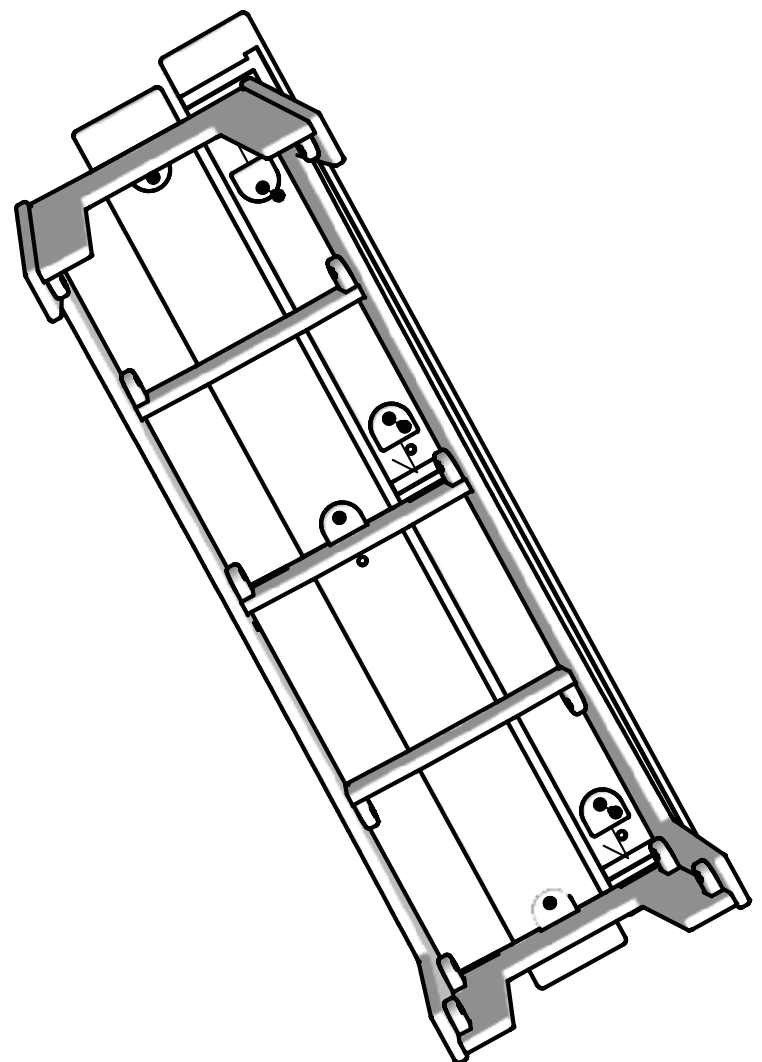
## 3 ATTACH ATTACH CENTER SEAT SLAT



Attach opposite Side using steps 1-2.

Fit center Seat Slat (B) groove track cut outs over Ends, Small Ribs, and Large Rib(s) and align to center of bench. Place Blocks G into the Rib's and End's pocket cut outs, insert bolts through the blocks into the Seat Slat's threaded holes, and finger tighten.

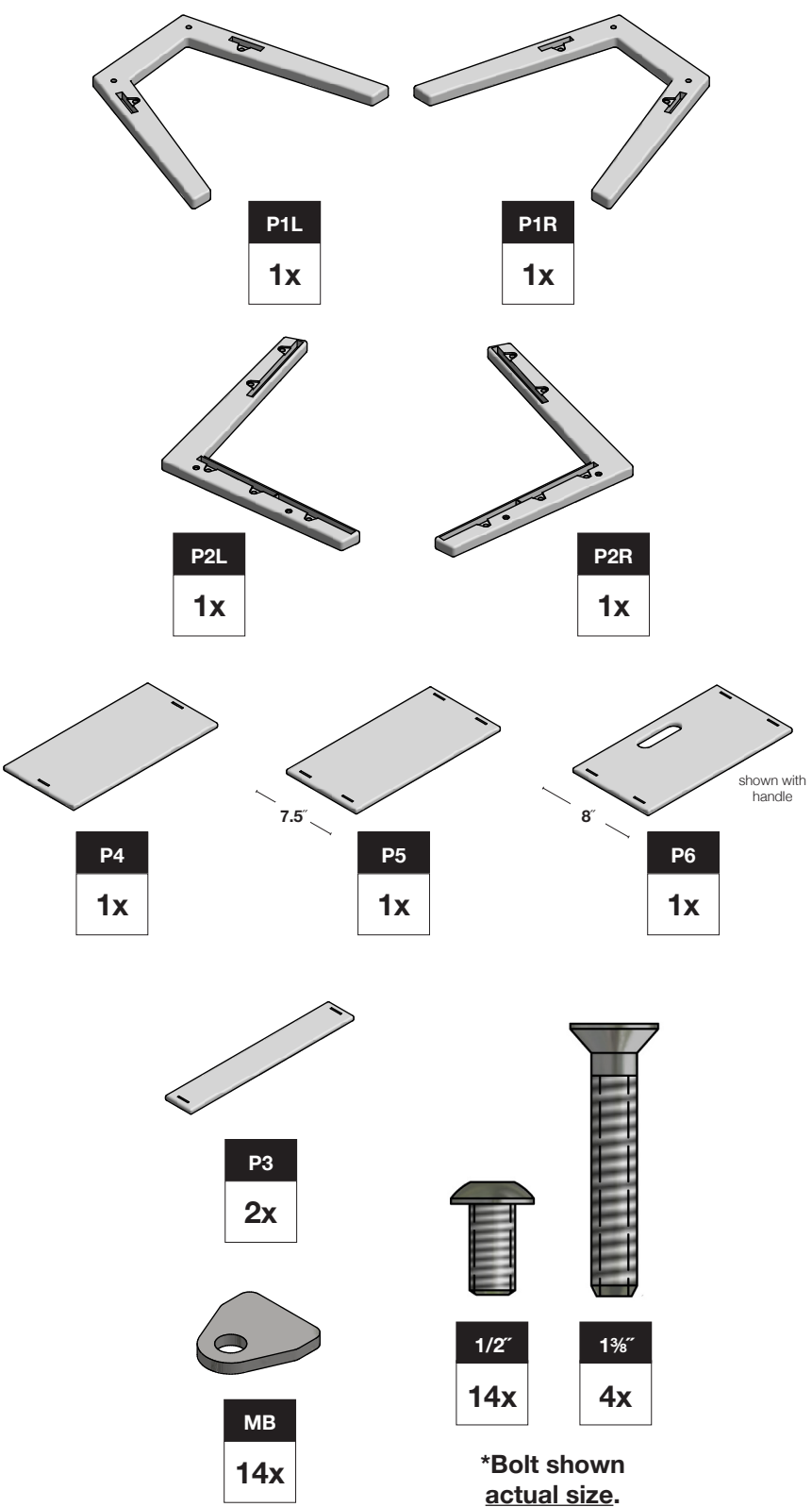
## 4 ATTACH OUTER SEAT SLATS



Fit end Seat Slats (A) groove track cut outs over Ends, Small Ribs, and Large Rib(s). Place Blocks G into the Rib's and End's pocket cut outs, insert bolts through the blocks into the Seat Slat's threaded holes, and finger tighten.

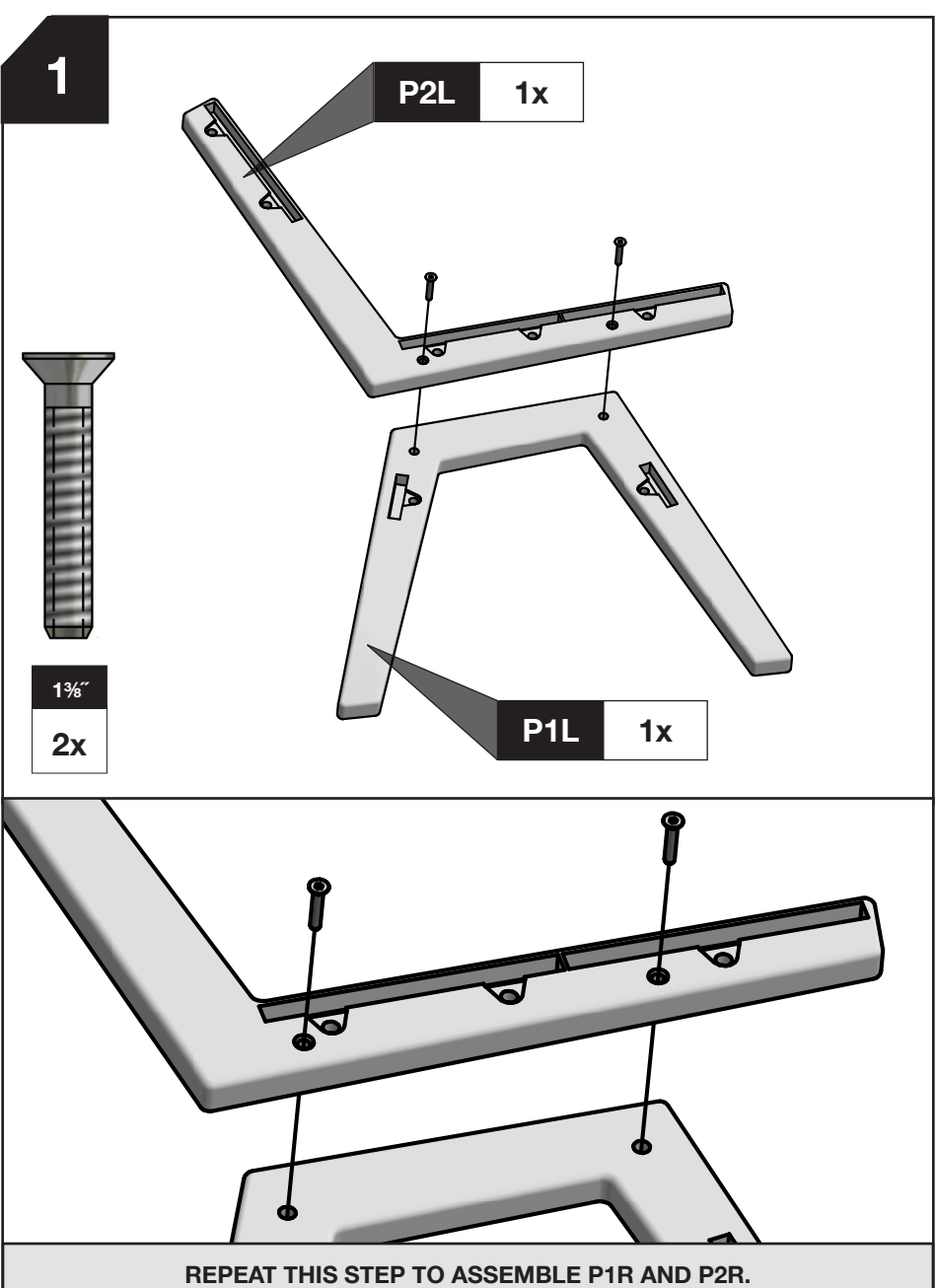
\*Using provided wrench securely tighten all bolts.

## INCLUDED PARTS



\*Bolt shown actual size.

## ASSEMBLY INSTRUCTIONS



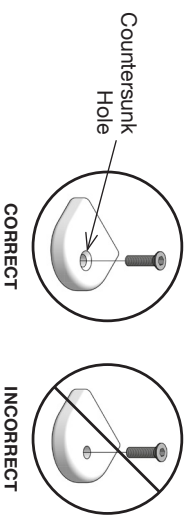
REPEAT THIS STEP TO ASSEMBLE P1R AND P2R.

### ASSEMBLY TIPS: 5 Important Points You NEED to Read

1. Prior to beginning assembly, please inspect and inventory the parts to make sure you have everything and that nothing was damaged during shipping. If damage has occurred, please take photos and go to [lollidesigns.com/damage](http://lollidesigns.com/damage). Rest assured we'll get it taken care of straight away!
2. To avoid scratching furniture, assemble on a clean, soft surface like a blanket, carpet, or the flattened cardboard box the furniture was shipped in.
3. **Start all bolts by hand to ensure proper alignment and to prevent cross threading.** Then using the provided tool, tighten until you feel resistance. Do not overtighten.
4. Bolts should not be forced, but some components, particularly blocks, fit snug but can still be installed without tools or excess force.
5. If parts are still not going together, please send us a photo of the part you are having trouble with.

### BLOCK & BOLT INSTALLATION

Insert bolts through countersunk hole side of blocks as shown below.



*"Loll Designs inspires people to appreciate the outdoors."*

Greg Benson - Founder

### ♻️ RECYCLE THE PACKAGING

We've gone through great lengths to make as much of our packaging as possible recyclable. The cardboard box, paper wrap, filler and paper bags can all go in your recycling bin. The muslin hardware bags replaced plastic bags with the intention of reducing plastic and encouraging reuse. Loll Designs and Planet Earth thank you!

### WE WANT YOU TO LOVE YOUR LOLL

For more info and visual aids, watch the assembly videos at [www.lollidesigns.com/videos](http://www.lollidesigns.com/videos). For product care & maintenance, visit [www.lollidesigns.com/care-maintenance](http://www.lollidesigns.com/care-maintenance). For further lollygagging assistance, please reach out!

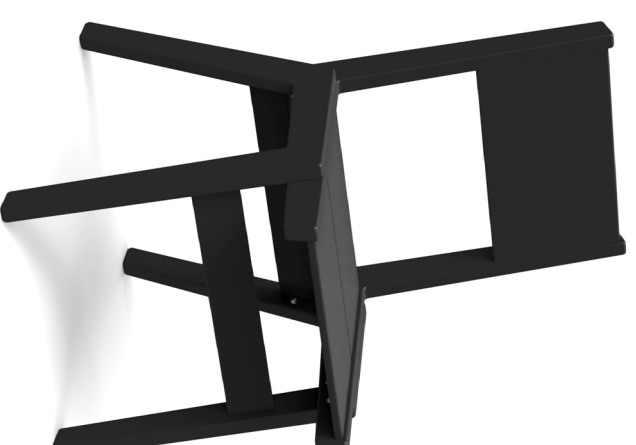
+1 877-740-3387

[sales@lollidesigns.com](mailto:sales@lollidesigns.com)

5912 Waseca Street  
Duluth, Minnesota 55807

ASSEMBLY INSTRUCTIONS & PRODUCT INFO:

ALFRESCO DINING CHAIR



MADE IN THE USA



LOLL  
DESIGNS

