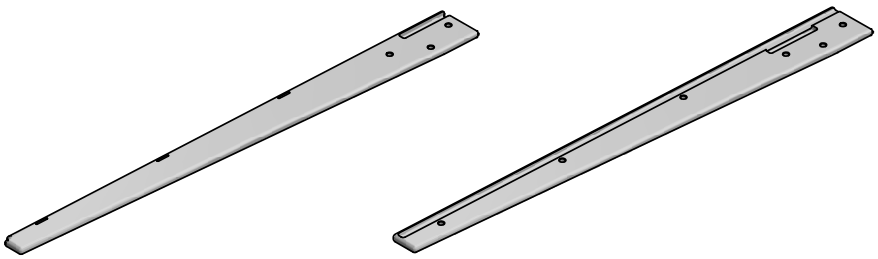
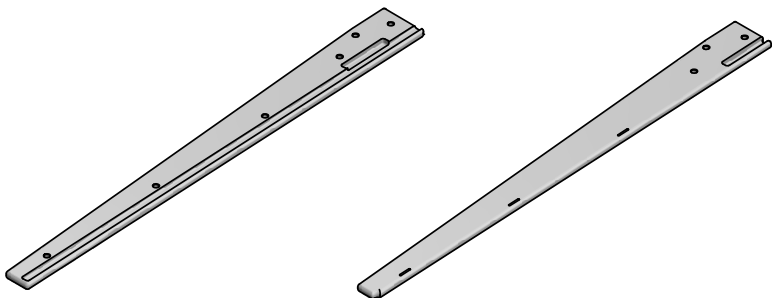


INCLUDED PARTS



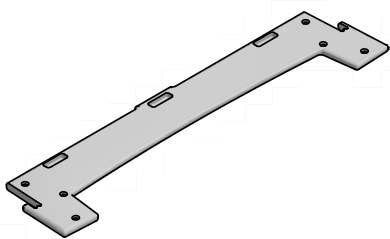
P1
2x

P2
2x

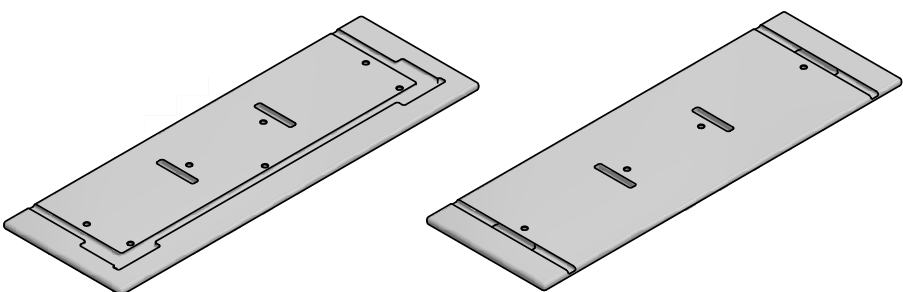


P3
2x

P4
2x

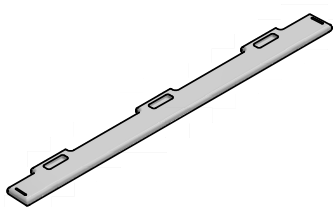


P5
2x

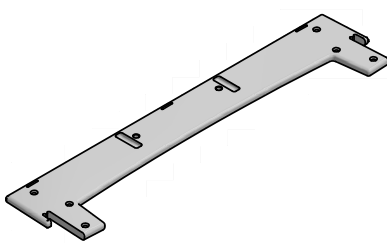


P6
2x

P7
1x



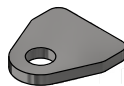
P8
2x



P9
2x



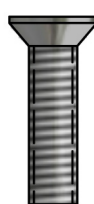
GB
12x



MB
22x



1/2"
22x



1"
36x

Bolts shown actual size.

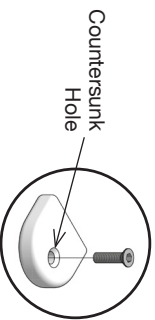
*** Please double check the bolt size required on each step. Use of wrong bolts will result in damage of product.***

ASSEMBLY TIPS: 5 Important Points You **NEED** to Read

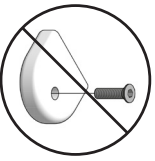
1. Prior to beginning assembly, please inspect and inventory the parts to make sure you have everything and that nothing was damaged during shipping. If damage has occurred, please take photos and go to lollidesigns.com/damage. Rest assured we'll get it taken care of straight away!
2. To avoid scratching furniture, assemble on a clean, soft surface like a blanket, carpet, or the flattened cardboard box the furniture was shipped in.
3. **Start all bolts by hand to ensure proper alignment and to prevent cross threading.** Then using the provided tool, tighten until you feel resistance. Do not overtighten.
4. Bolts should not be forced, but some components, particularly blocks, fit snug but can still be installed without tools or excess force.
5. If parts are still not going together, please send us a photo of the part you are having trouble with.

BLOCK & BOLT INSTALLATION

Insert bolts through countersunk hole side of blocks as shown below.



CORRECT



INCORRECT

"Loll Designs inspires people to appreciate the outdoors."

Greg Benson - Founder

♻️ RECYCLE THE PACKAGING

We've gone through great lengths to make as much of our packaging as possible recyclable. The cardboard box, paper wrap, filler and paper bags can all go in your recycling bin. The muslin hardware bags replaced plastic bags with the intention of reducing plastic and encouraging reuse. Loll Designs and Planet Earth thank you!

WE WANT YOU TO LOVE YOUR LOLL

For more info and visual aids, watch the assembly videos at www.lollidesigns.com/videos. For product care & maintenance, visit www.lollidesigns.com/care-maintenance. For further lollygagging assistance, please reach out!

+1 877-740-3387

sales@lollidesigns.com

5912 Waseca Street
Duluth, Minnesota 55807

ASSEMBLY INSTRUCTIONS & PRODUCT INFO:

ALFRESCO BAR + COUNTER
TABLE 36SQ



loLL
DESIGNS

MADE IN THE USA



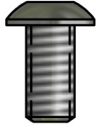
1

P9 1x

MB 4x

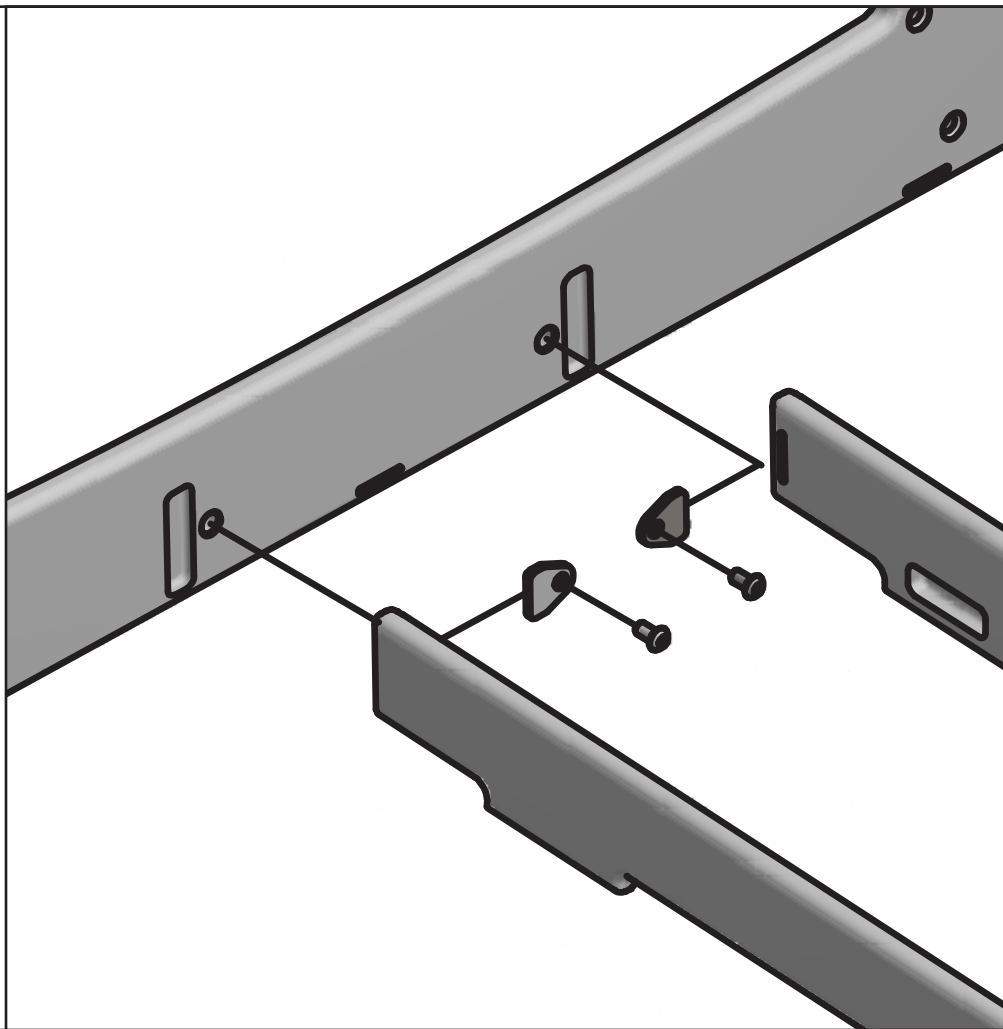
P8 2x

P9 1x



1/2"

4x



2

MB 6x

P6 1x

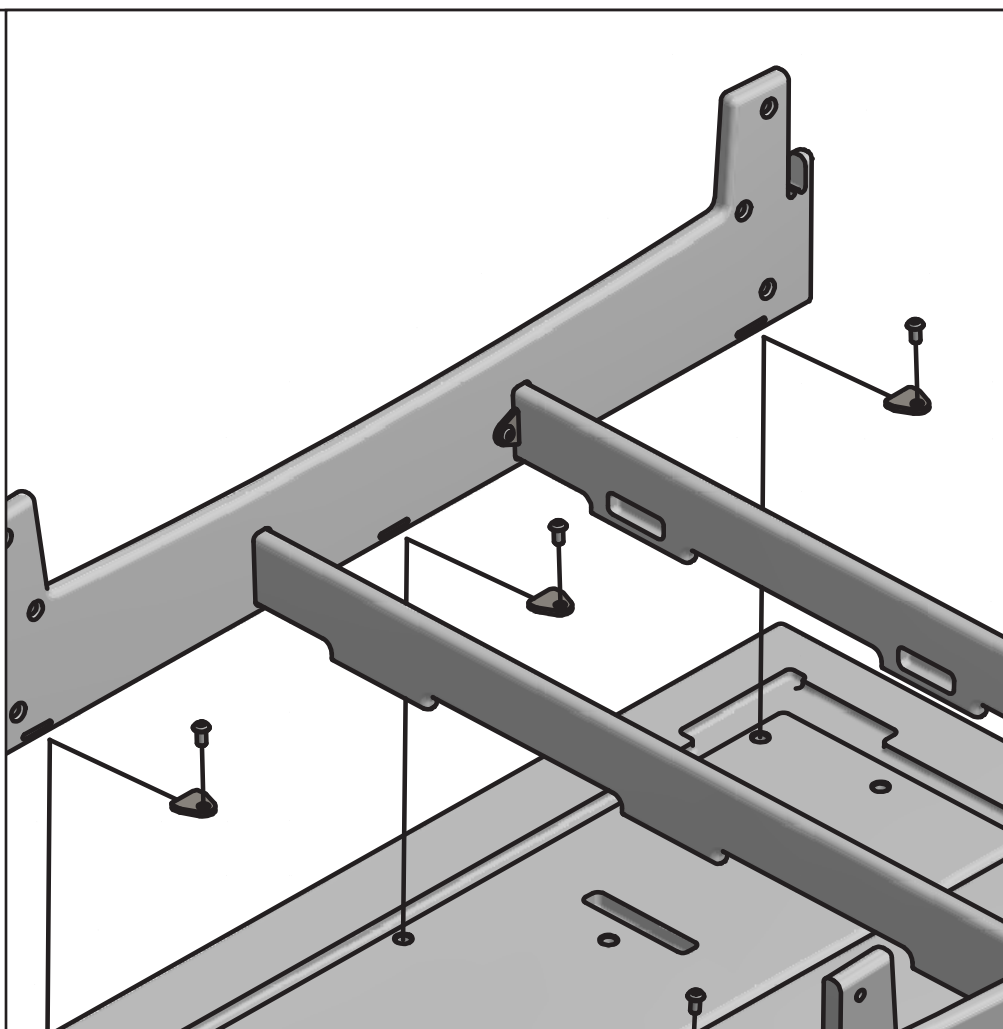
P6 1x

P7 1x



1/2"

6x



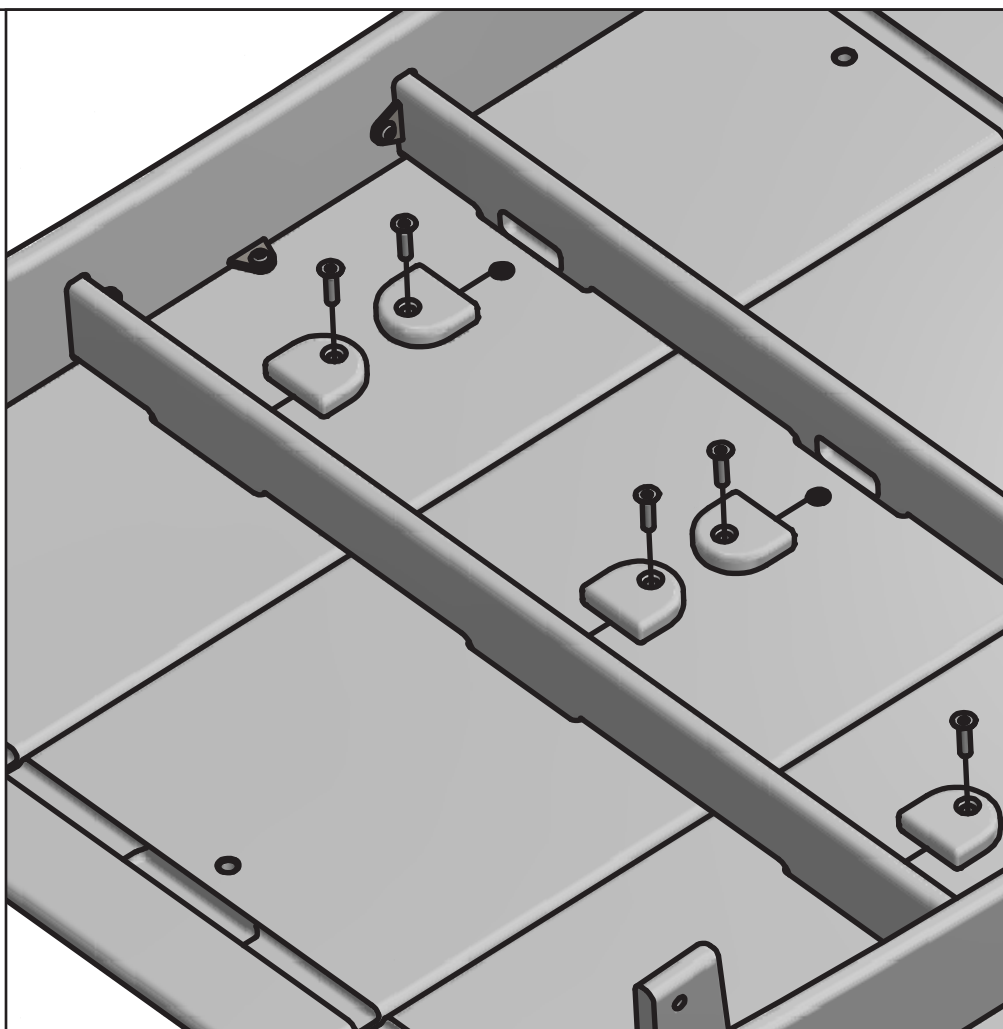
3

GB 6x



1"

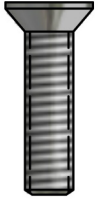
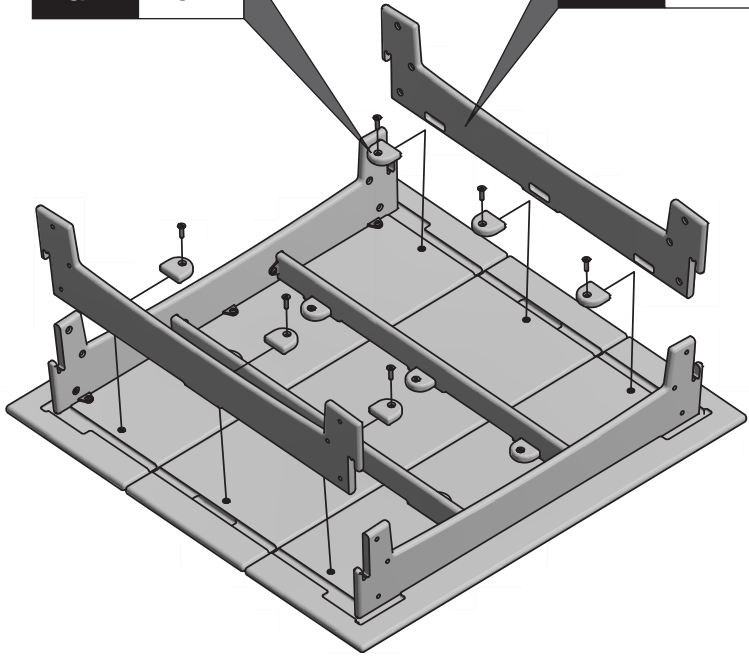
6x



4

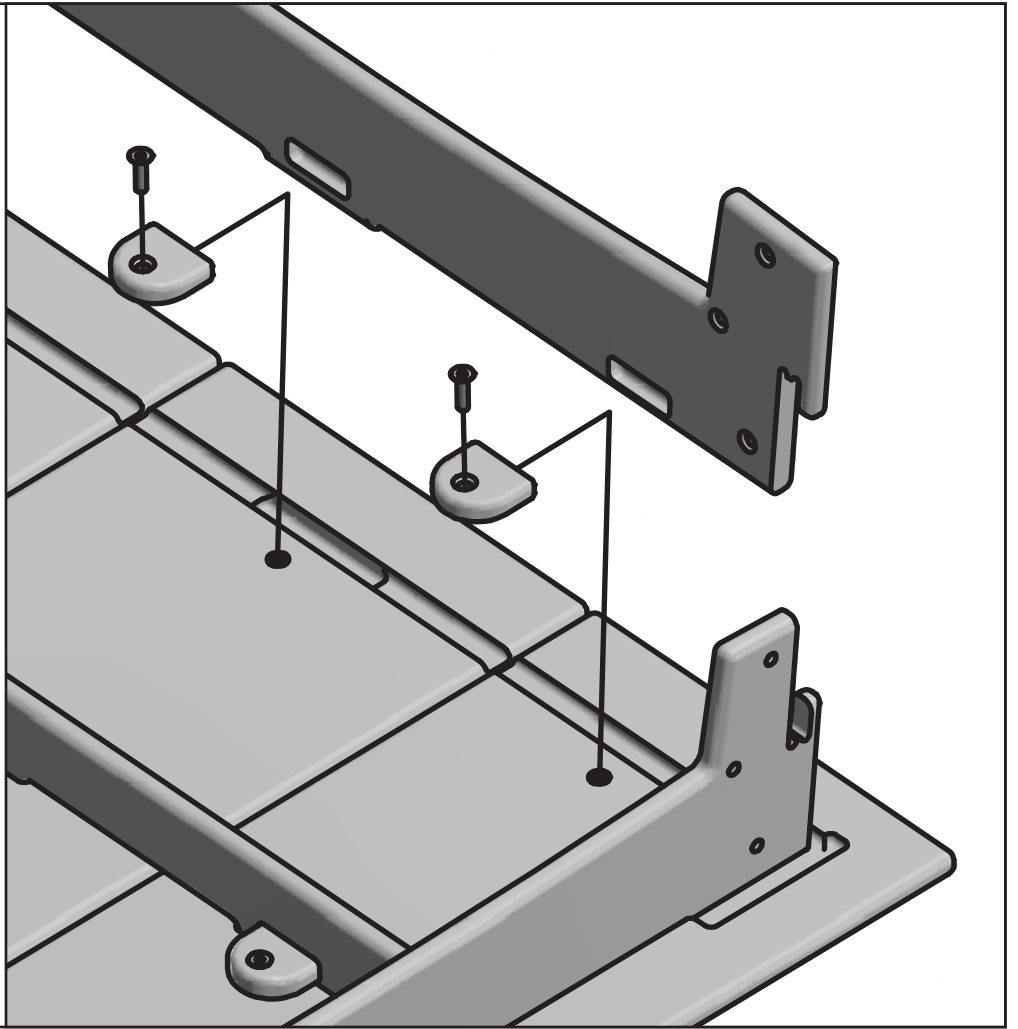
GB 6x

P5 2x



1"

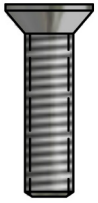
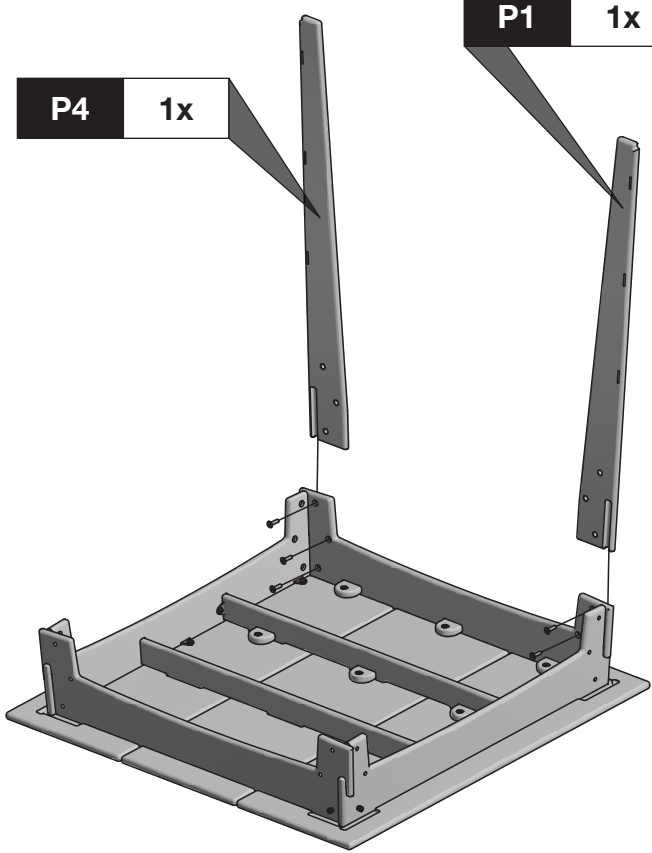
6x



5

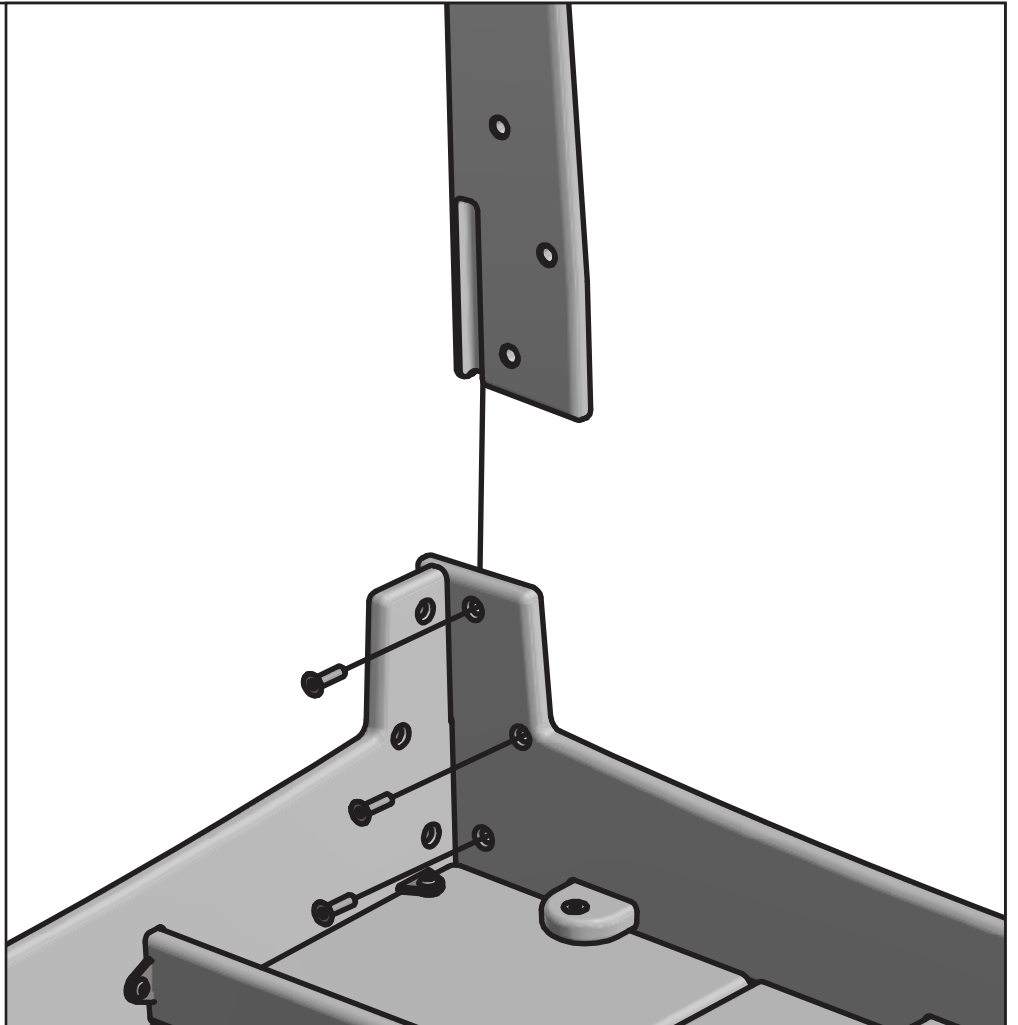
P4 1x

P1 1x



1"

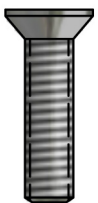
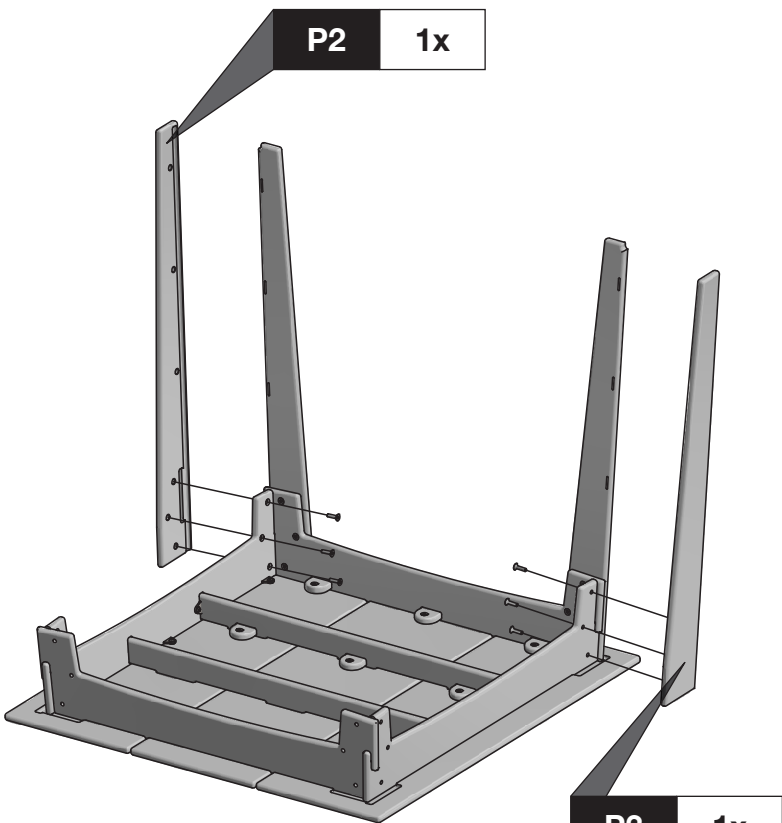
6x



6

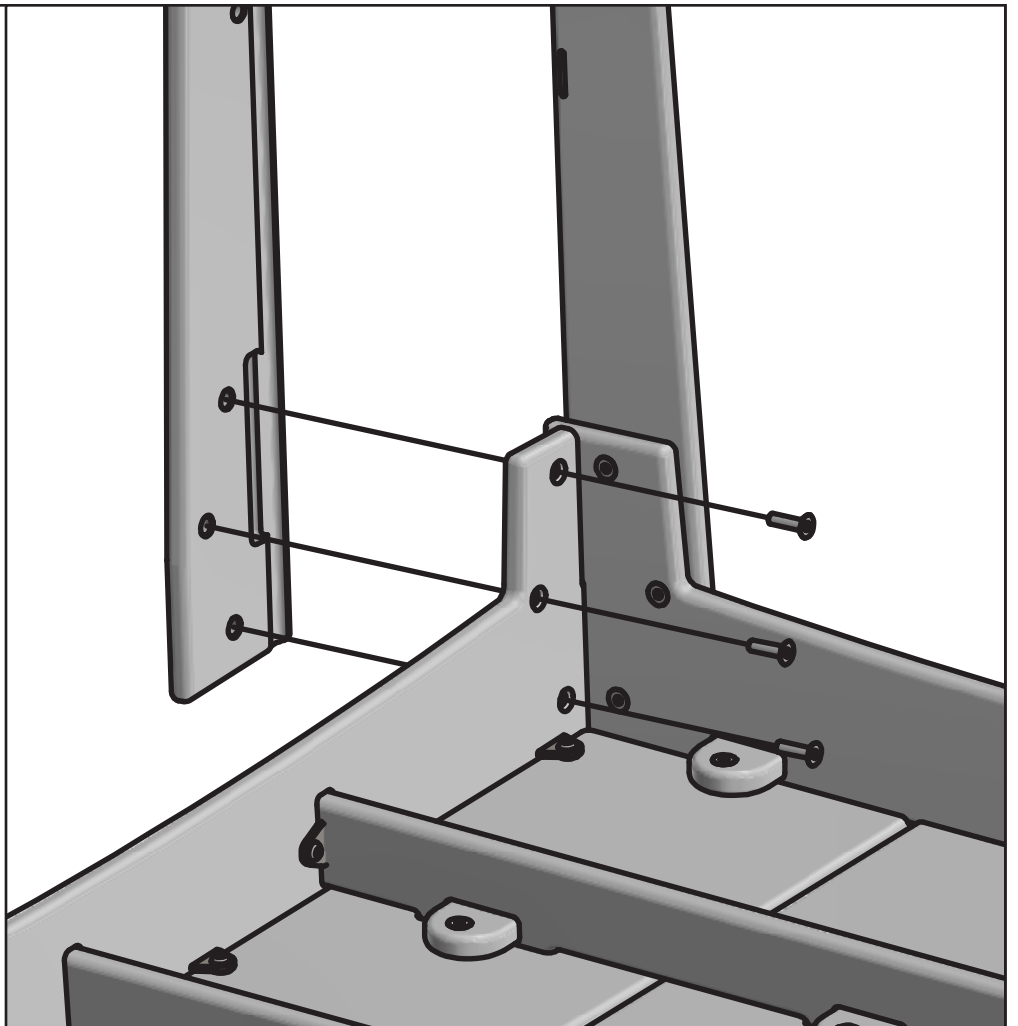
P2 1x

P3 1x



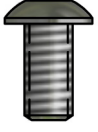
1"

6x



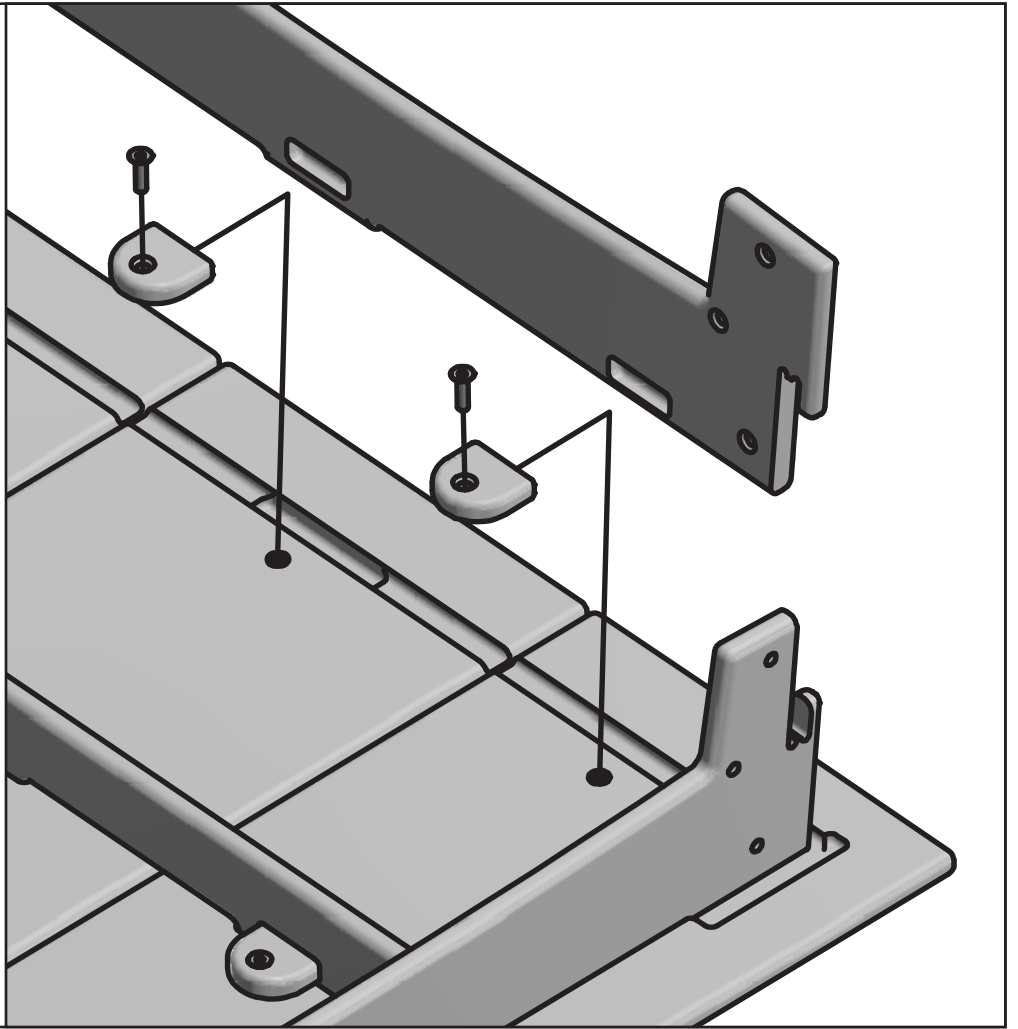
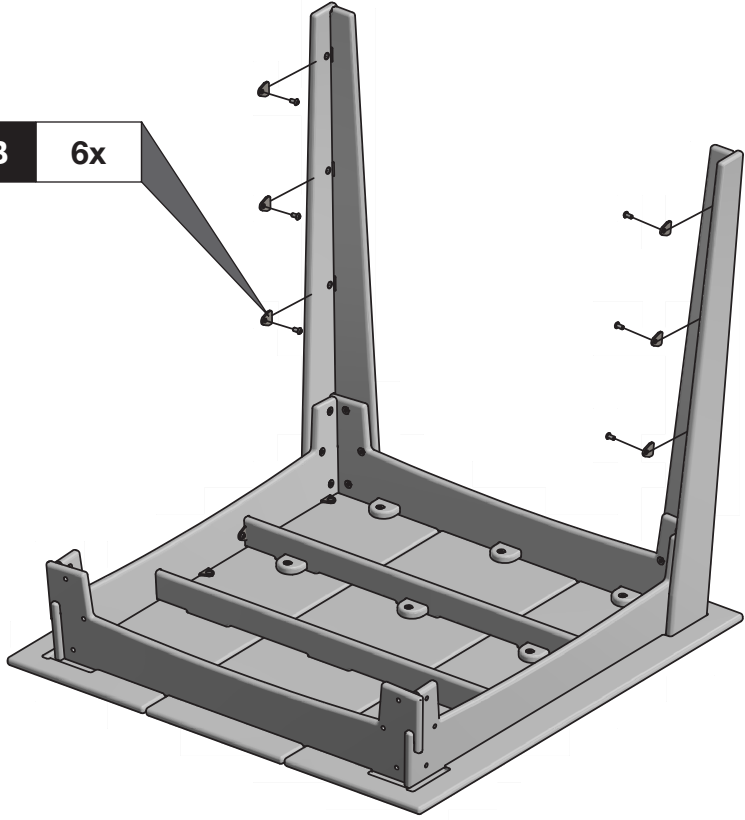
7

MB 6x



1/2"

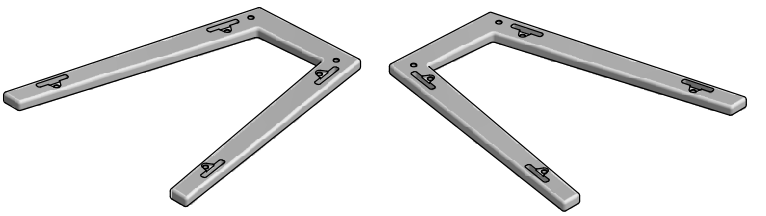
6x



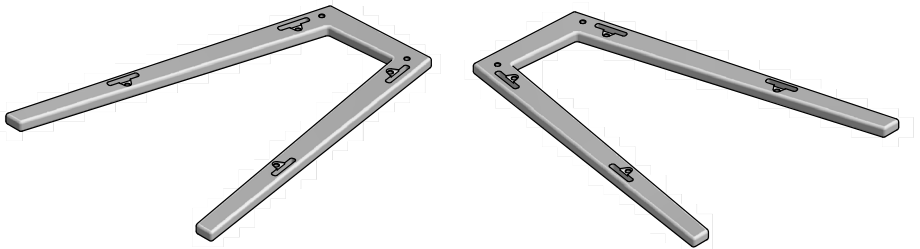
REPEAT STEPS 5-7 TO ATTACHED REMAINING P1, P2, P3, AND P4 LEG PARTS.

INCLUDED PARTS

Legs for Counter Stool



Legs for Bar Stool

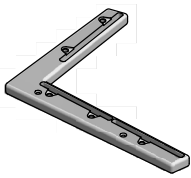


P1L

1x

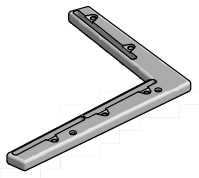
P1R

1x



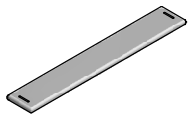
P2L

1x



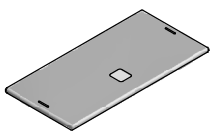
P2R

1x



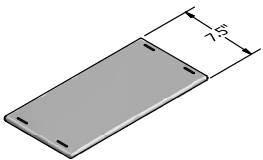
P3

4x



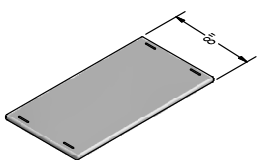
P4

1x



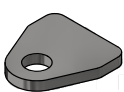
P5

1x



P6

1x



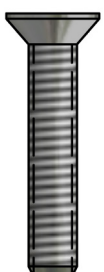
P2

18x



1/2"

18x



1 3/8"

4x

Bolts & Tools shown actual size.

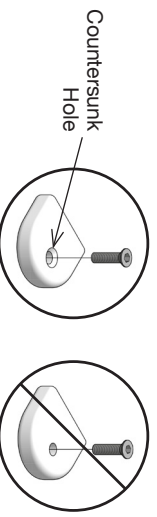
*** Please double check the bolt size required on each step. Use of wrong bolts will result in damage of product.***

ASSEMBLY TIPS: 5 Important Points You **NEED** to Read

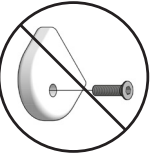
1. Prior to beginning assembly, please inspect and inventory the parts to make sure you have everything and that nothing was damaged during shipping. If damage has occurred, please take photos and go to lollidesigns.com/damage. Rest assured we'll get it taken care of straight away!
2. To avoid scratching furniture, assemble on a clean, soft surface like a blanket, carpet, or the flattened cardboard box the furniture was shipped in.
3. **Start all bolts by hand to ensure proper alignment and to prevent cross threading.** Then using the provided tool, tighten until you feel resistance. Do not overtighten.
4. Bolts should not be forced, but some components, particularly blocks, fit snug but can still be installed without tools or excess force.
5. If parts are still not going together, please send us a photo of the part you are having trouble with.

BLOCK & BOLT INSTALLATION

Insert bolts through countersunk hole side of blocks as shown below.



CORRECT



INCORRECT

"Loll Designs inspires people to appreciate the outdoors."

Greg Benson - Founder

♻️ RECYCLE THE PACKAGING

We've gone through great lengths to make as much of our packaging as possible recyclable. The cardboard box, paper wrap, filler and paper bags can all go in your recycling bin. The muslin hardware bags replaced plastic bags with the intention of reducing plastic and encouraging reuse. Loll Designs and Planet Earth thank you!

WE WANT YOU TO LOVE YOUR LOLL

For more info and visual aids, watch the assembly videos at www.lollidesigns.com/videos. For product care & maintenance, visit www.lollidesigns.com/care-maintenance. For further lollygagging assistance, please reach out!

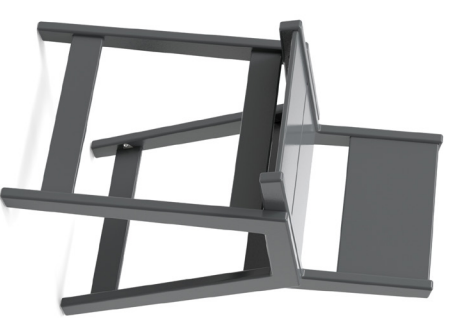
+1 877-740-3387

sales@lollidesigns.com

5912 Waseca Street
Duluth, Minnesota 55807

ASSEMBLY INSTRUCTIONS & PRODUCT INFO:

ALFRESCO BAR+COUNTER STOOL

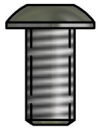
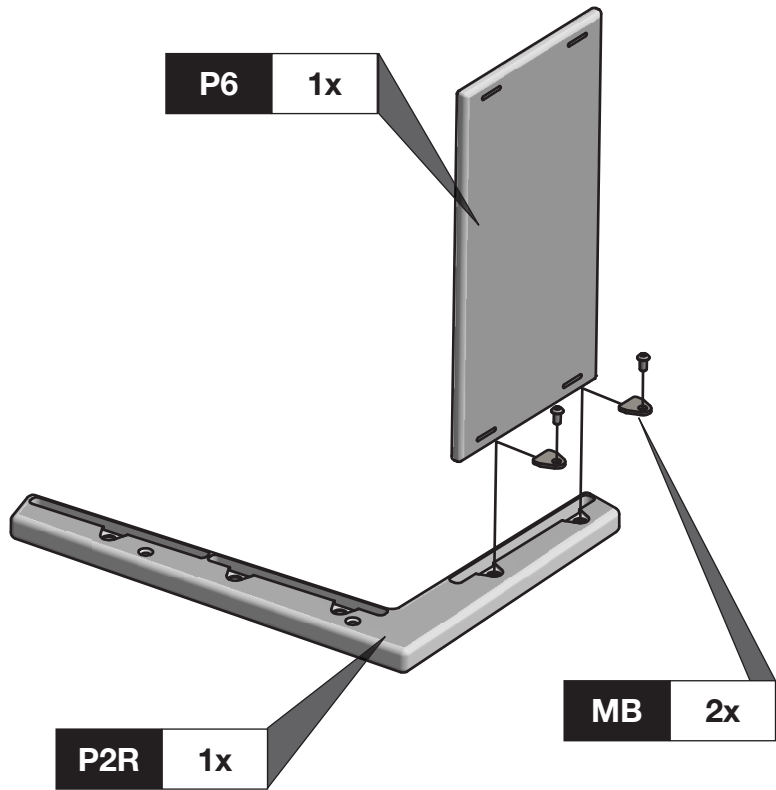


LOLL
DESIGNS

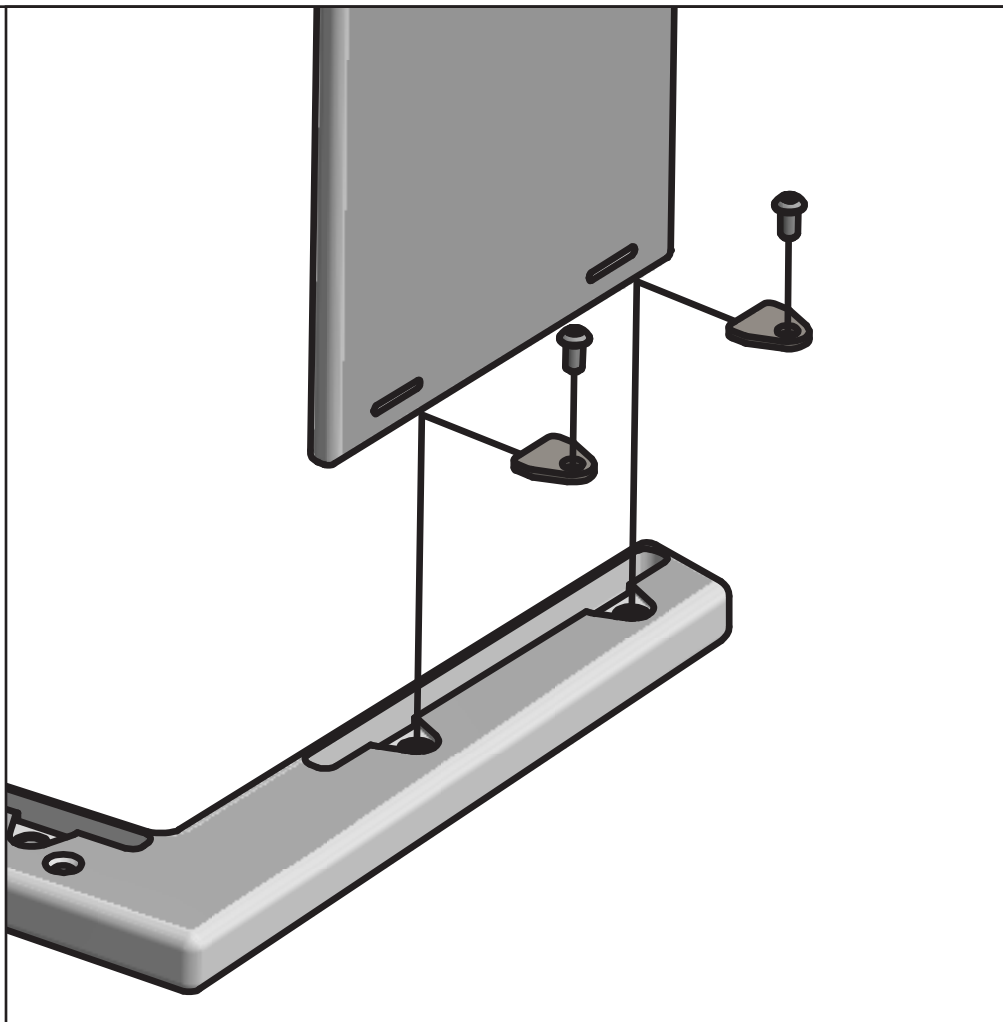
MADE IN THE USA



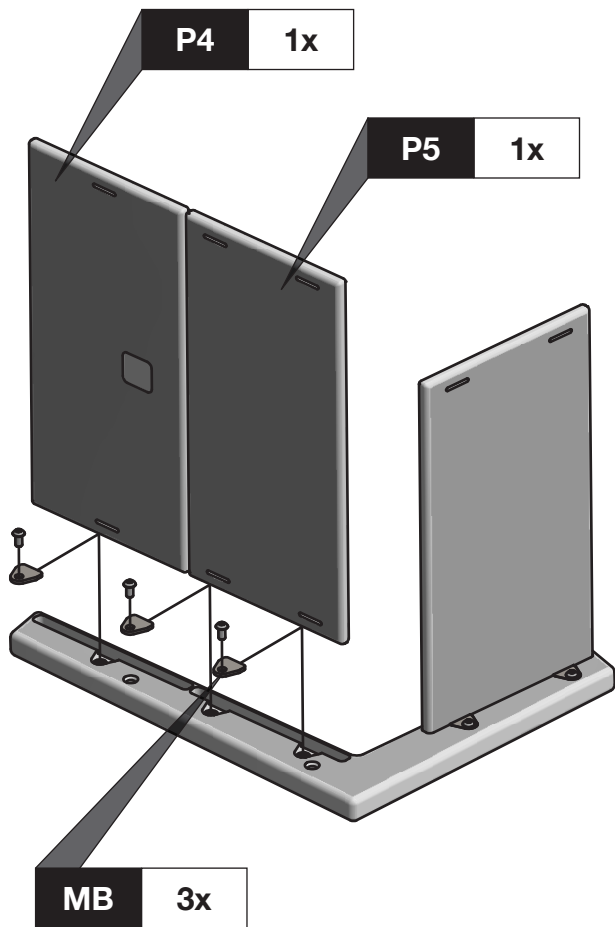
1



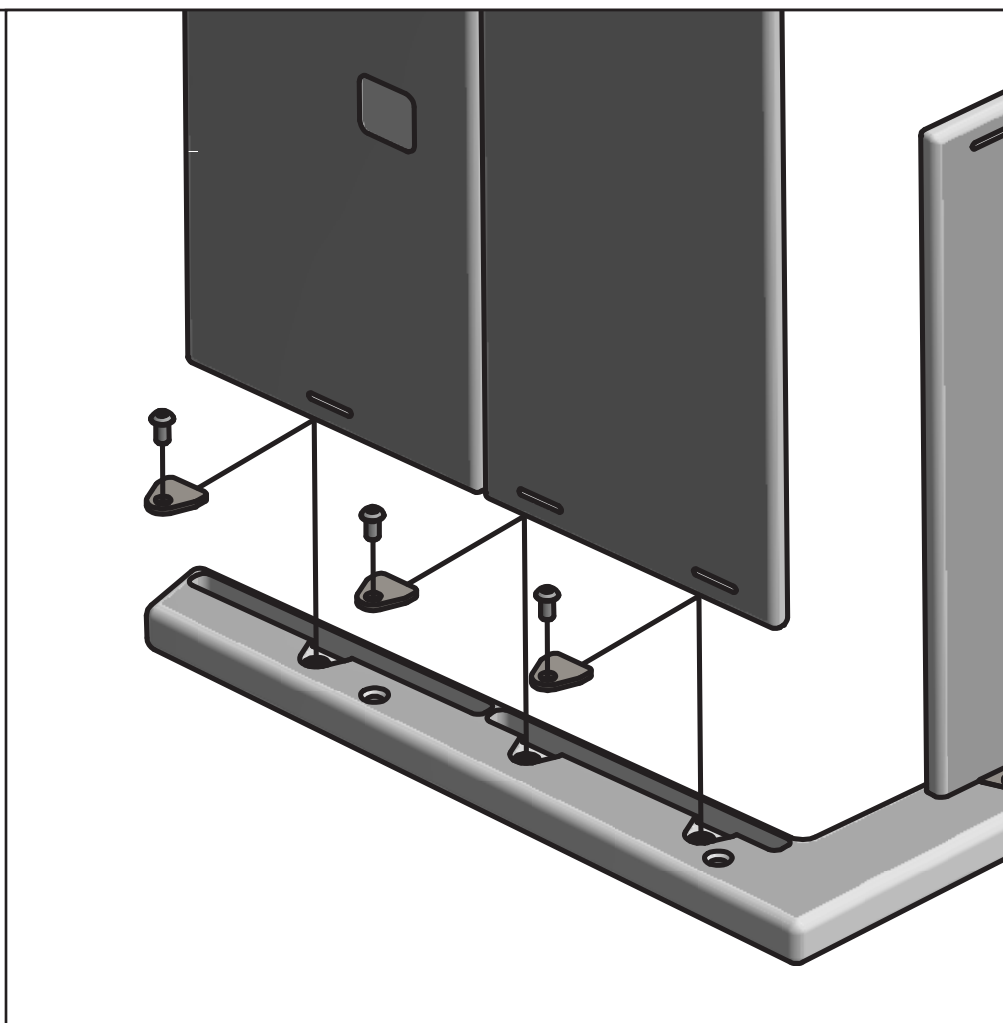
1/2"
2x



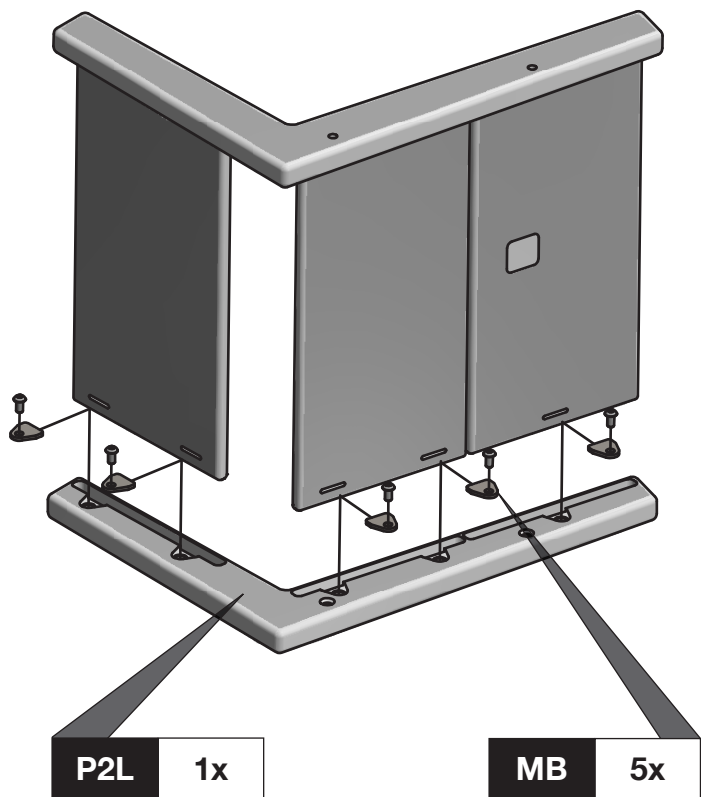
2



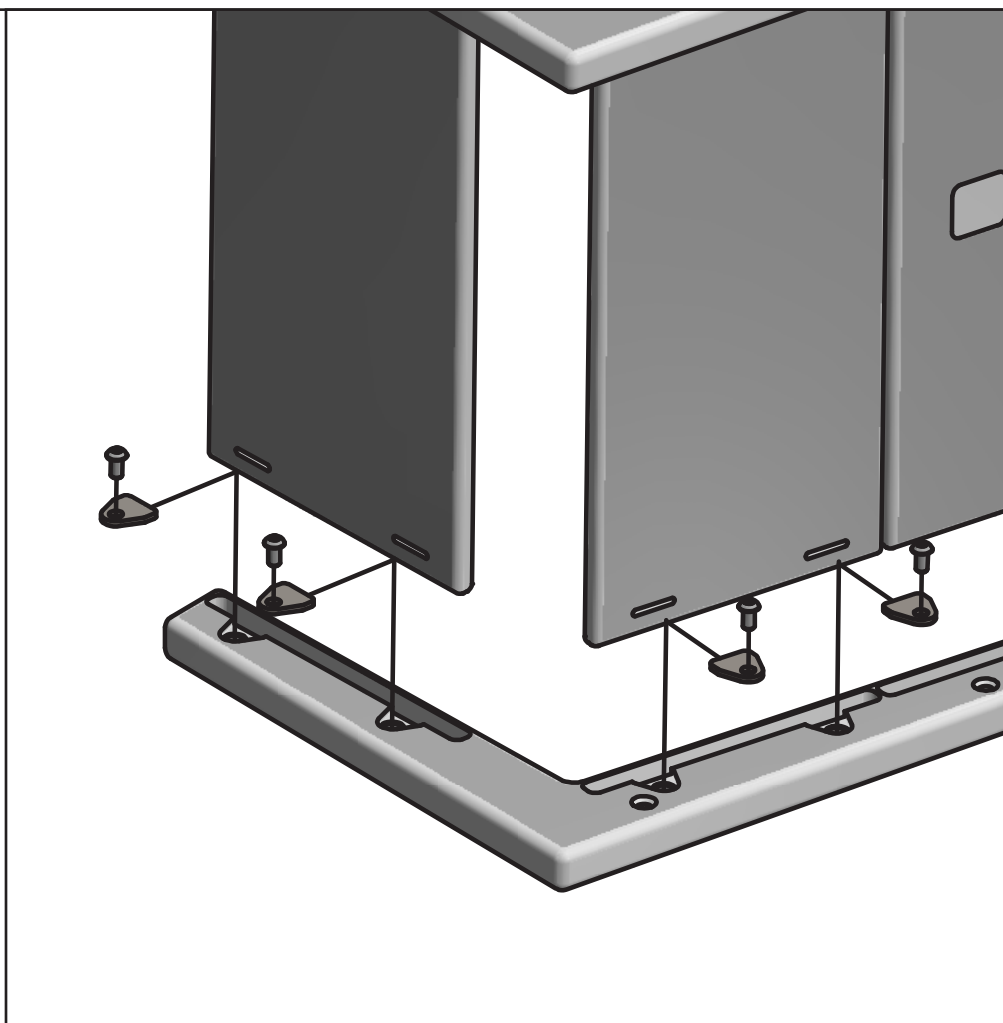
1/2"
3x



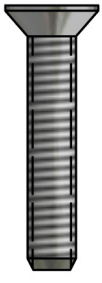
3



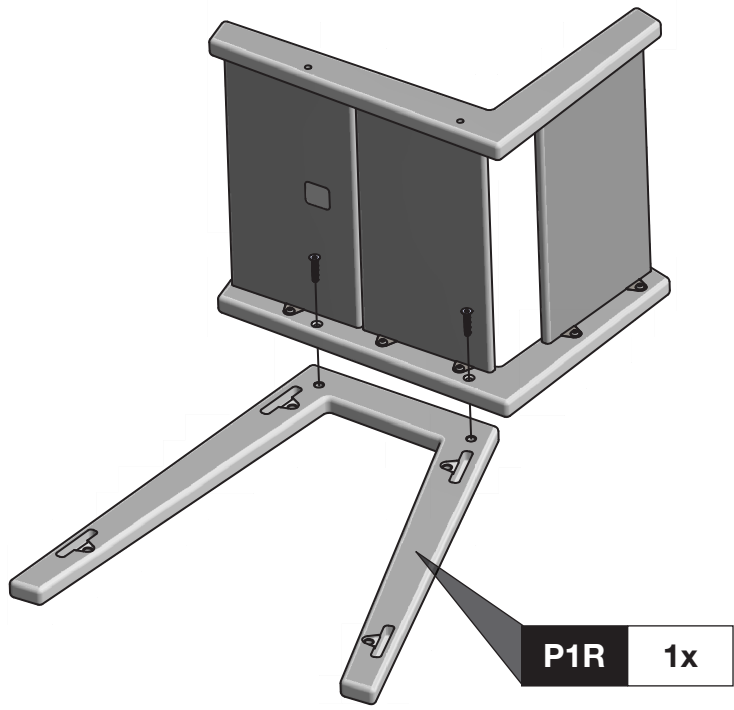
1/2"
5x



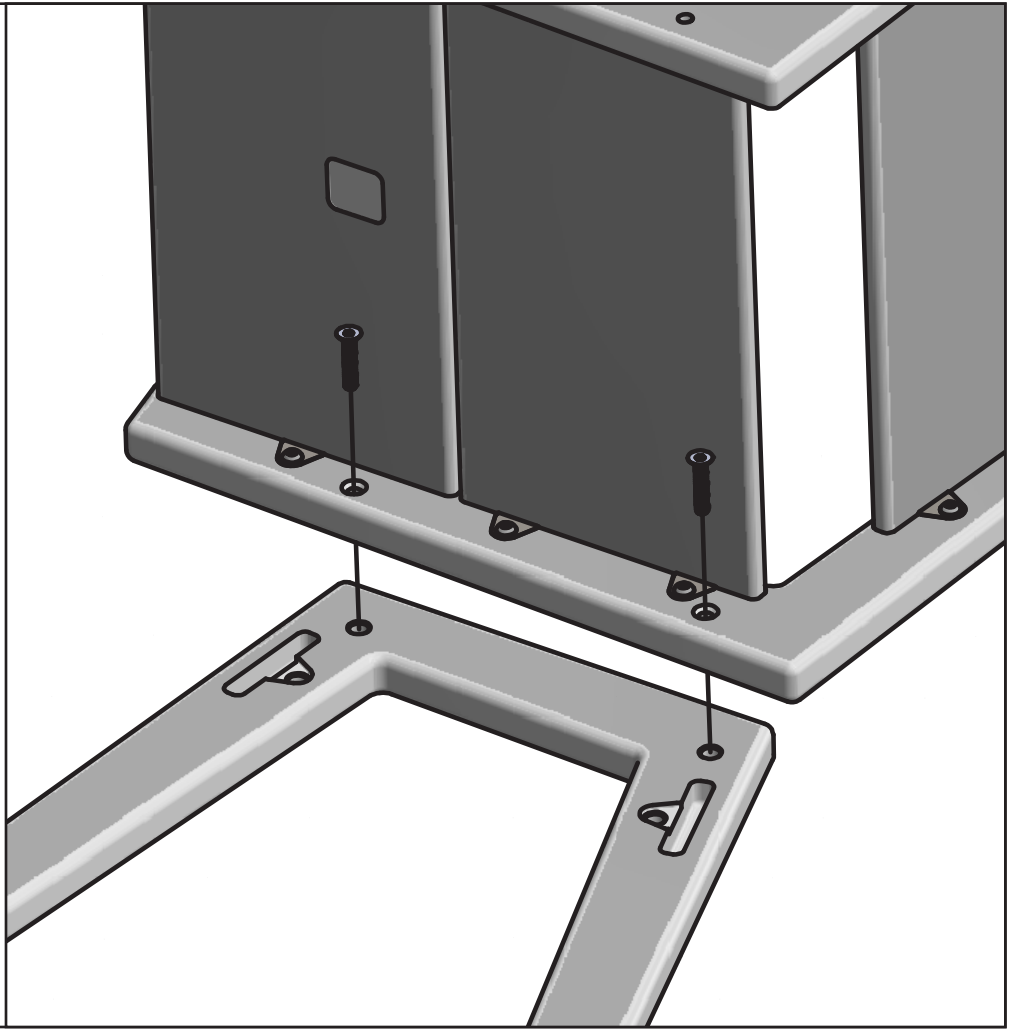
4



1 1/2"
2x



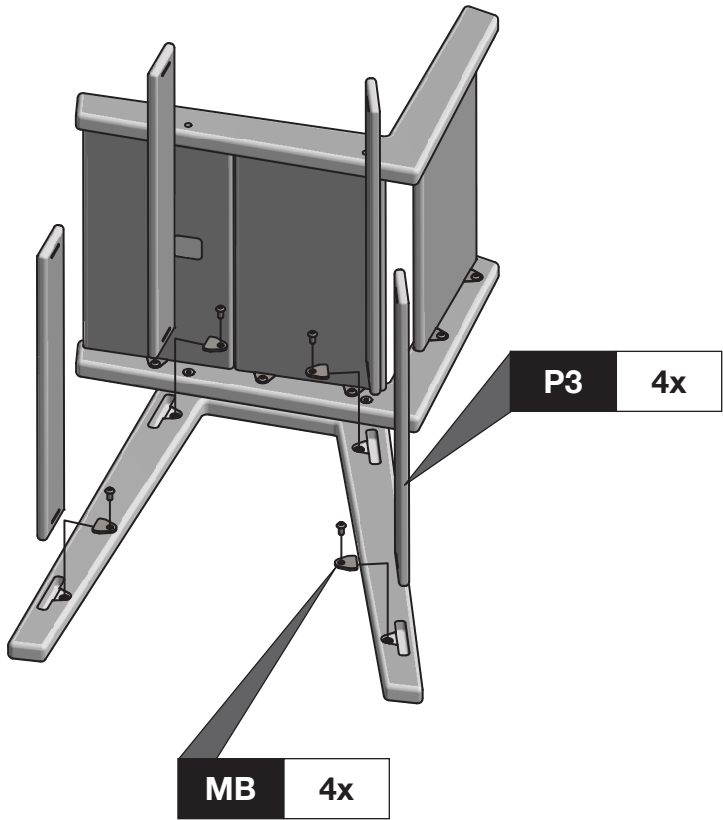
P1R 1x



5

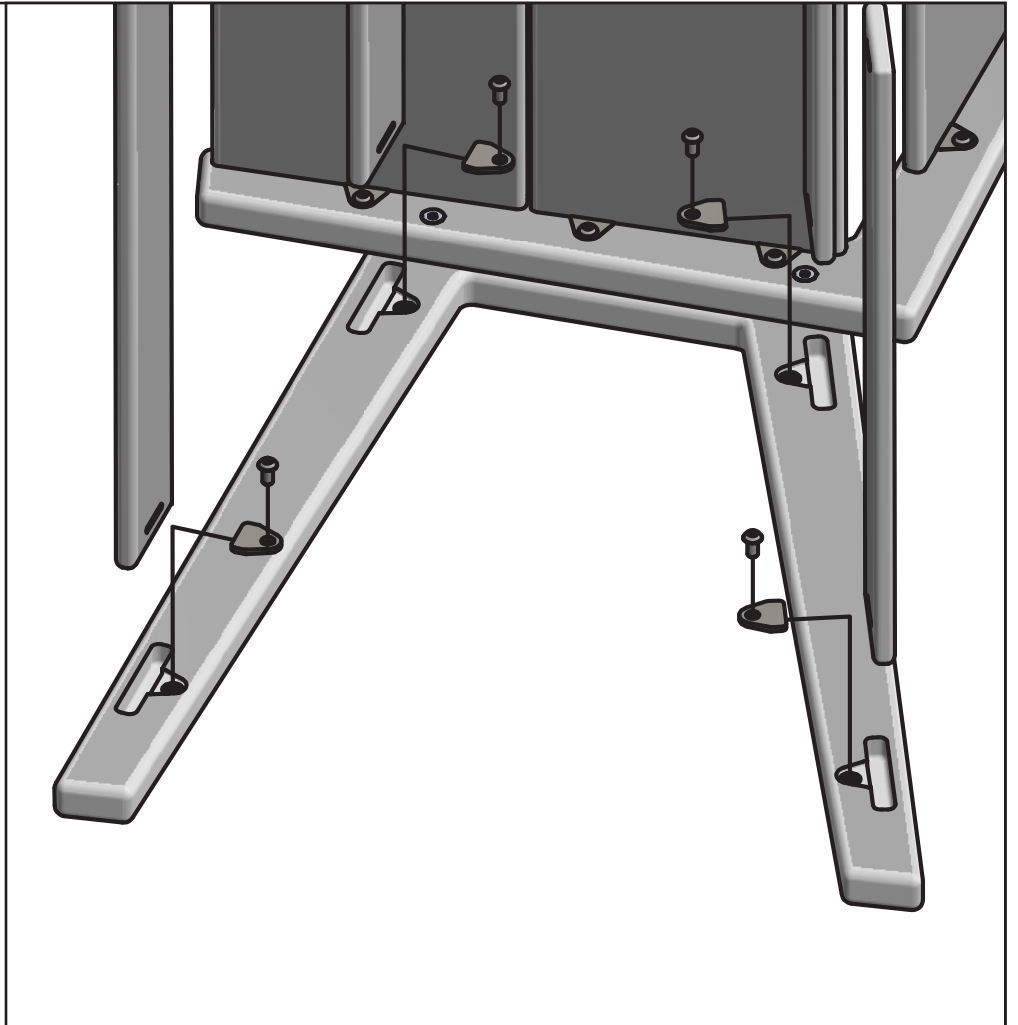


1/2"
4x

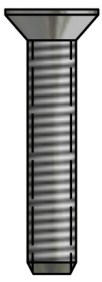


P3 4x

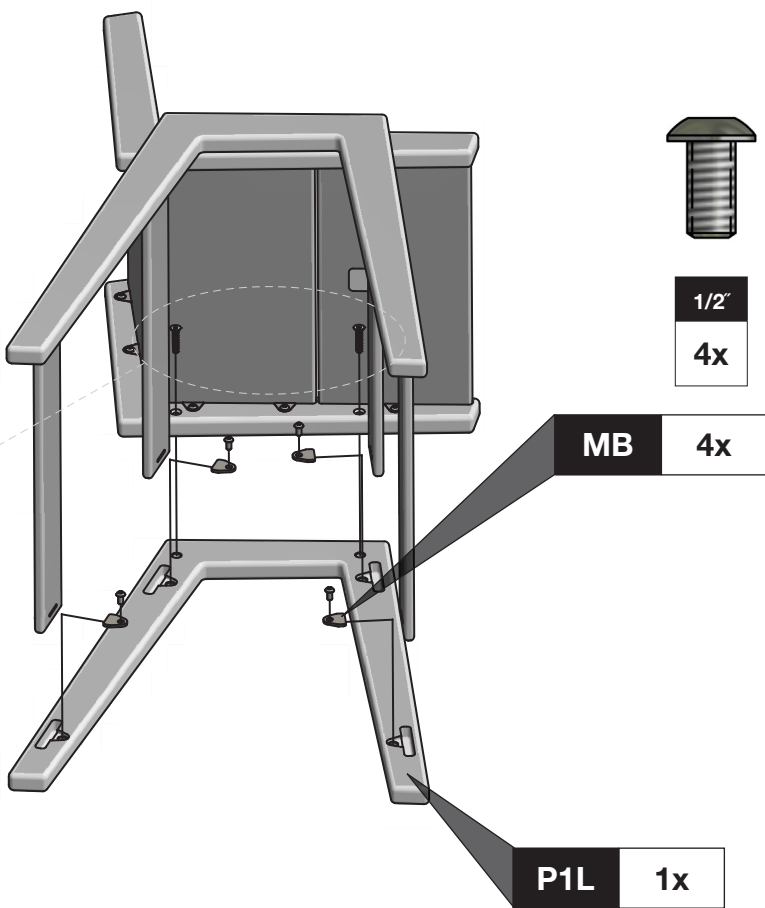
MB 4x



6



1 1/2"
2x



MB 4x

P1L 1x

