

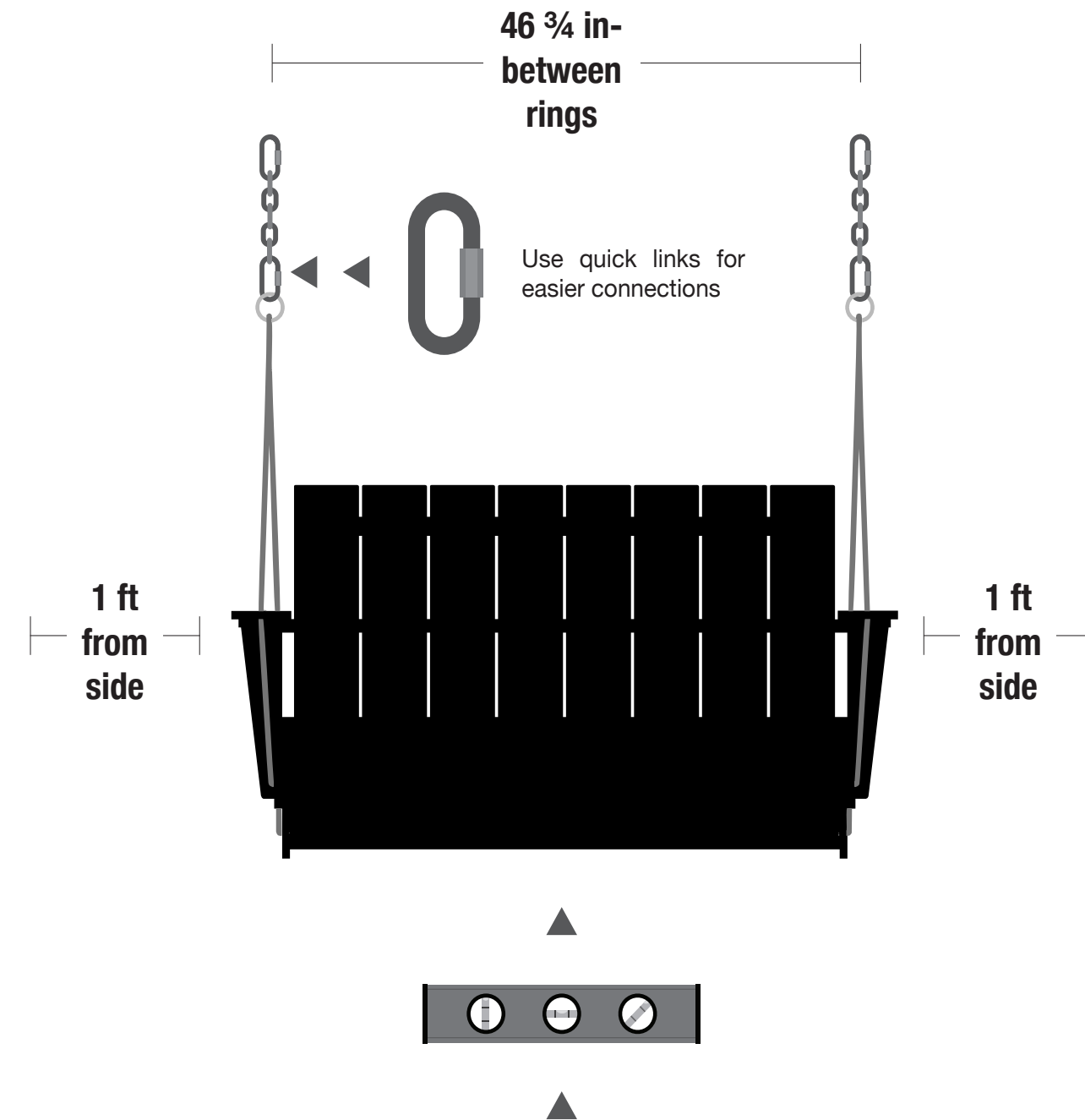
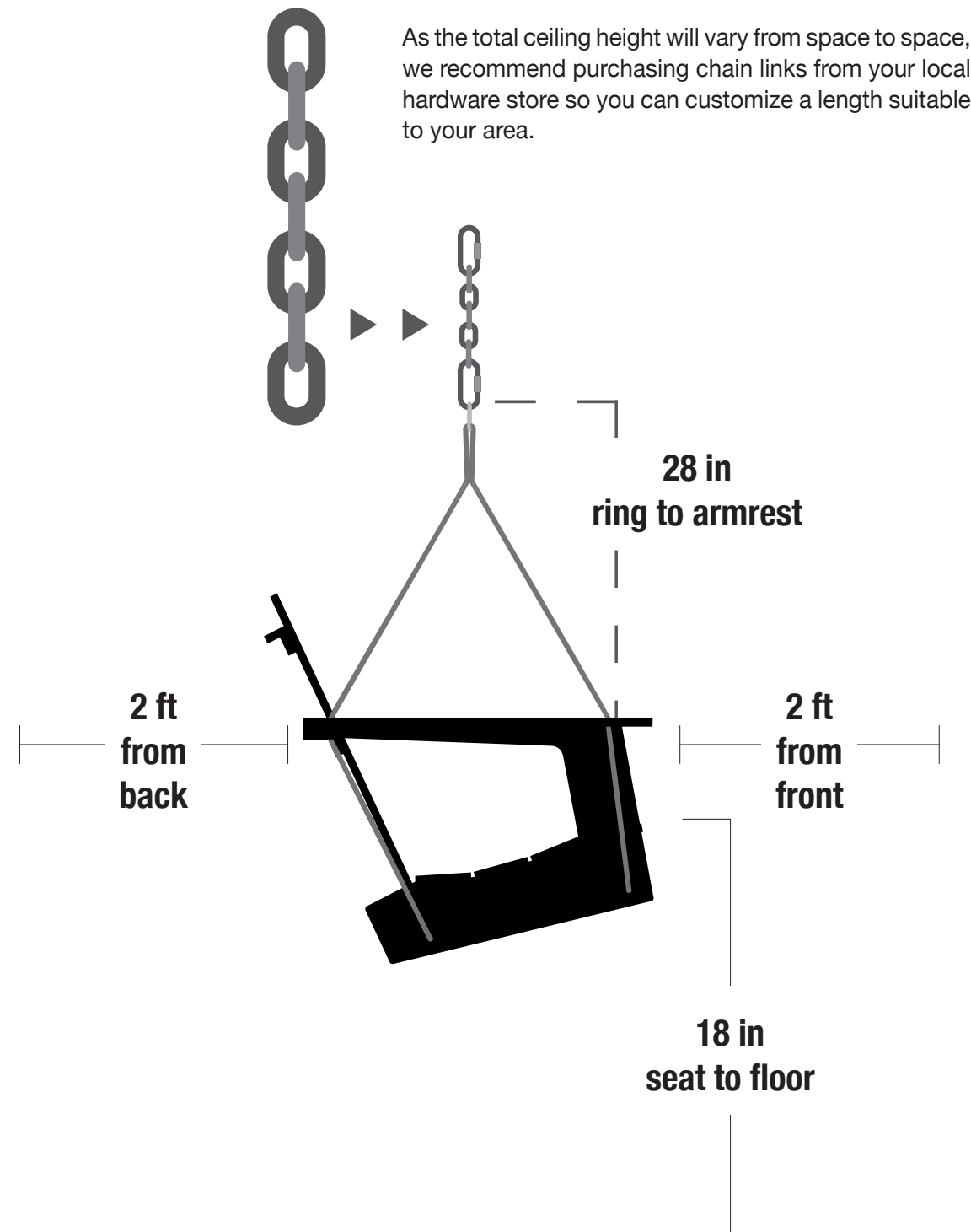


# ADIRONDACK DOUBLE SWING

## SWING HANGING SUGGESTIONS

loll designs.com | 1-877-740-3387

*It is the responsibility of the end user to mount their swing securely.*



In general, we recommend approximately a 2-ft minimum clearance in the back and front, and a foot on either side. As far as the seat height, we recommend it to be approximately 18" from the ground, but that can be a general approximation, due to each specific user.

Check that the swing hangs level. Use a level on the swing seat for best measurement.