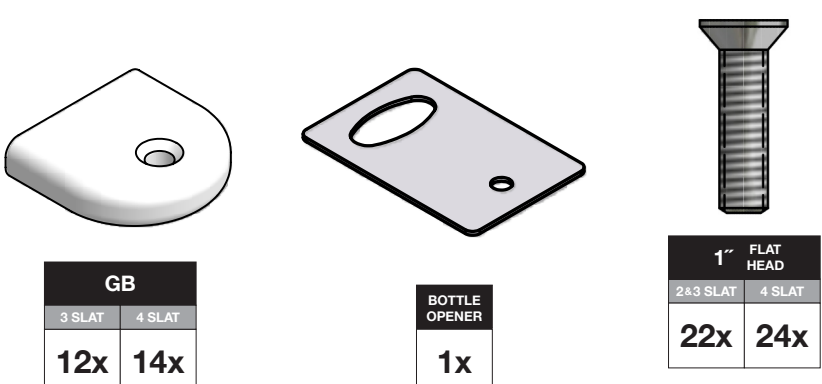
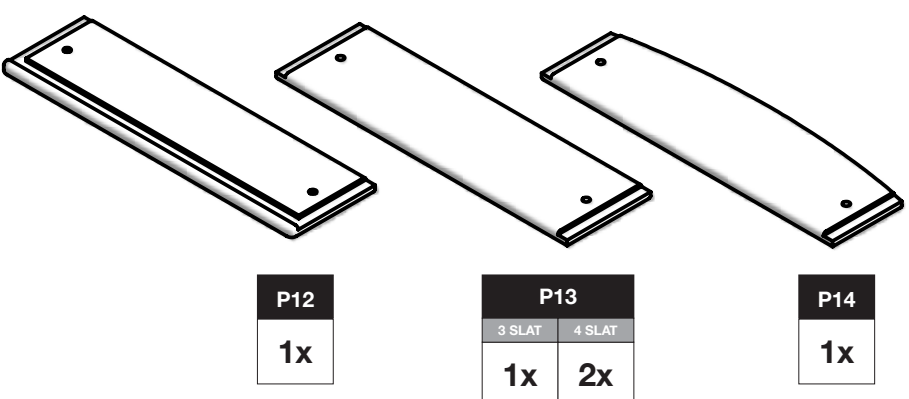
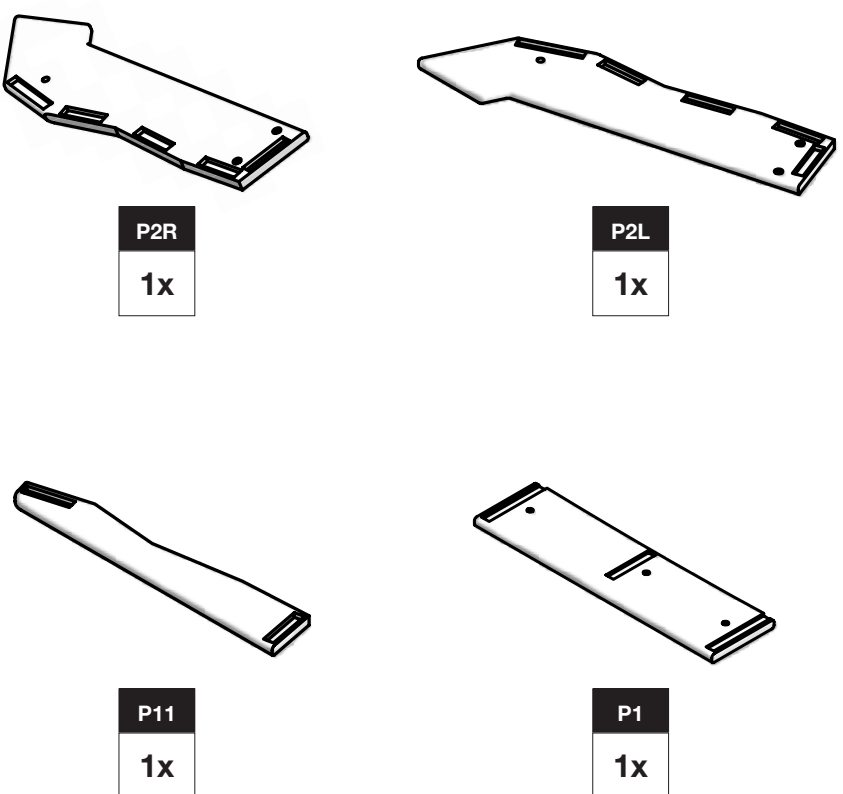
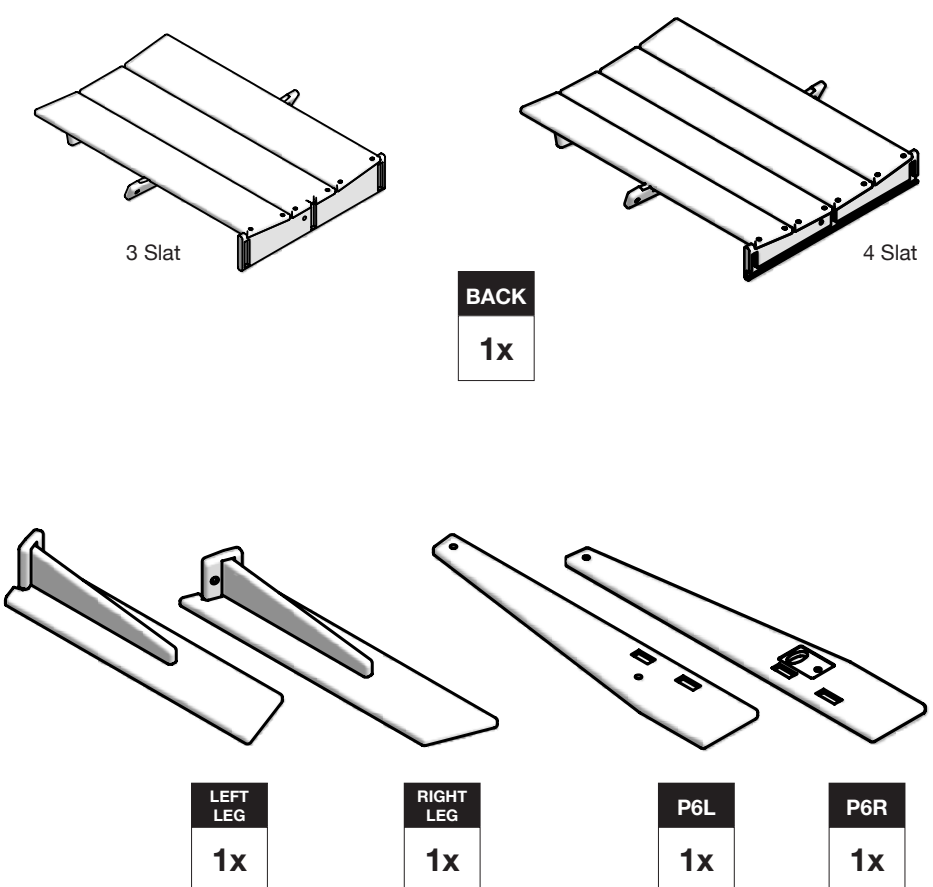


INCLUDED PARTS



*Bolt shown actual size

ASSEMBLY TIPS: 5 Important Points You NEED to Read

1. Prior to beginning assembly, please inspect and inventory the parts to make sure you have everything and that nothing was damaged during shipping. If damage has occurred, please take photos and go to lollidesigns.com/damage. Rest assured we'll get it taken care of straight away!
2. To avoid scratching furniture, assemble on a clean soft surface like a blanket, carpet, or the flattened cardboard box the furniture was shipped in.
3. **Start all bolts by hand to ensure proper alignment and to prevent cross threading.** Then using the Allen Key or Loll Tool, tighten until you feel resistance.
4. Bolts should not be forced, but some components, particularly the blocks will need a bit of muscle to get them together as they are machined for a snug fit. If parts are still not going together, please send us a photo of the part you are having trouble with.
5. You can use a cordless screw gun if you have one and know how to use it. Set the clutch setting at low to medium torque. **We do not recommend using an electric drill without a clutch** to install bolts as you can easily overtighten and damage the product.

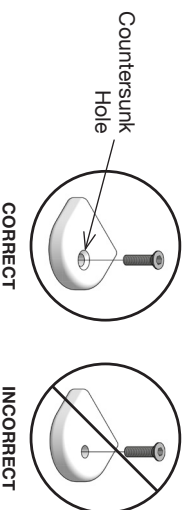
LOLL TOOL

Locate the box marked "Tool Included" before beginning assembly.



BLOCK & BOLT INSTALLATION

Insert bolts through countersunk hole side of blocks as shown below.



"Loll Designs inspires people to appreciate the outdoors."

Greg Benson - Founder/CEO

♻️ RECYCLE THE PACKAGING

We've gone through great lengths to make as much of our packaging as possible recyclable. The cardboard box, paper wrap, filler and paper bags can all go in your recycling bin. The muslin hardware bags replaced plastic bags with the intention of reducing plastic and encouraging reuse. Loll Designs and Planet Earth thank you!

WE WANT YOU TO LOVE YOUR LOLL

For more info and visual aids, watch the assembly videos at www.lollidesigns.com/videos. For product care & maintenance, visit www.lollidesigns.com/care-maintenance. For further lollygagging assistance, please reach out!

+1 877-740-3387

sales@lollidesigns.com

5912 Waseca Street
Duluth, Minnesota 55807

ASSEMBLY INSTRUCTIONS & PRODUCT INFO:

ADIRONDACK CHAIR



MADE IN THE USA

certified CREDITSOURCE

ORIGINAL Member

1% FOR THE PLANET MEMBER #510

it's good to be recycled

LOLL DESIGNS

1

BACK 1x

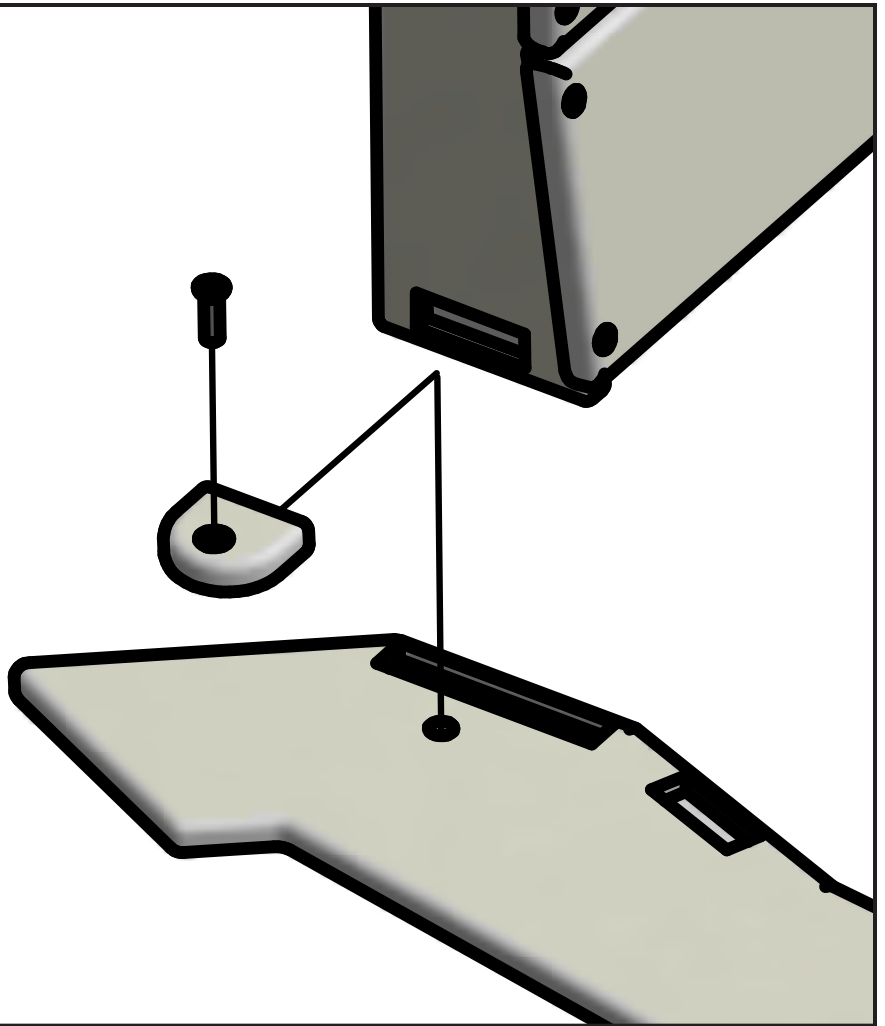
GB 1x

P2L 1x



1" FLAT HEAD

1x



2

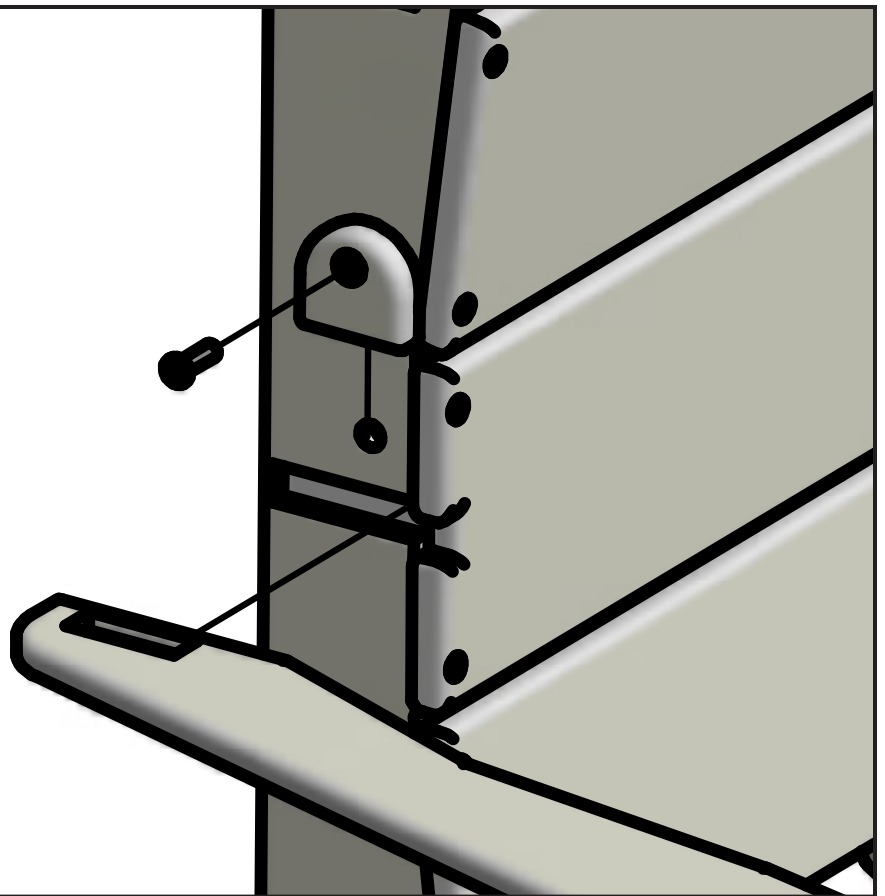
GB 1x

P11 1x



1" FLAT HEAD

1x



REPEAT STEP 1 TO ATTACH P2R

3

P1 1x

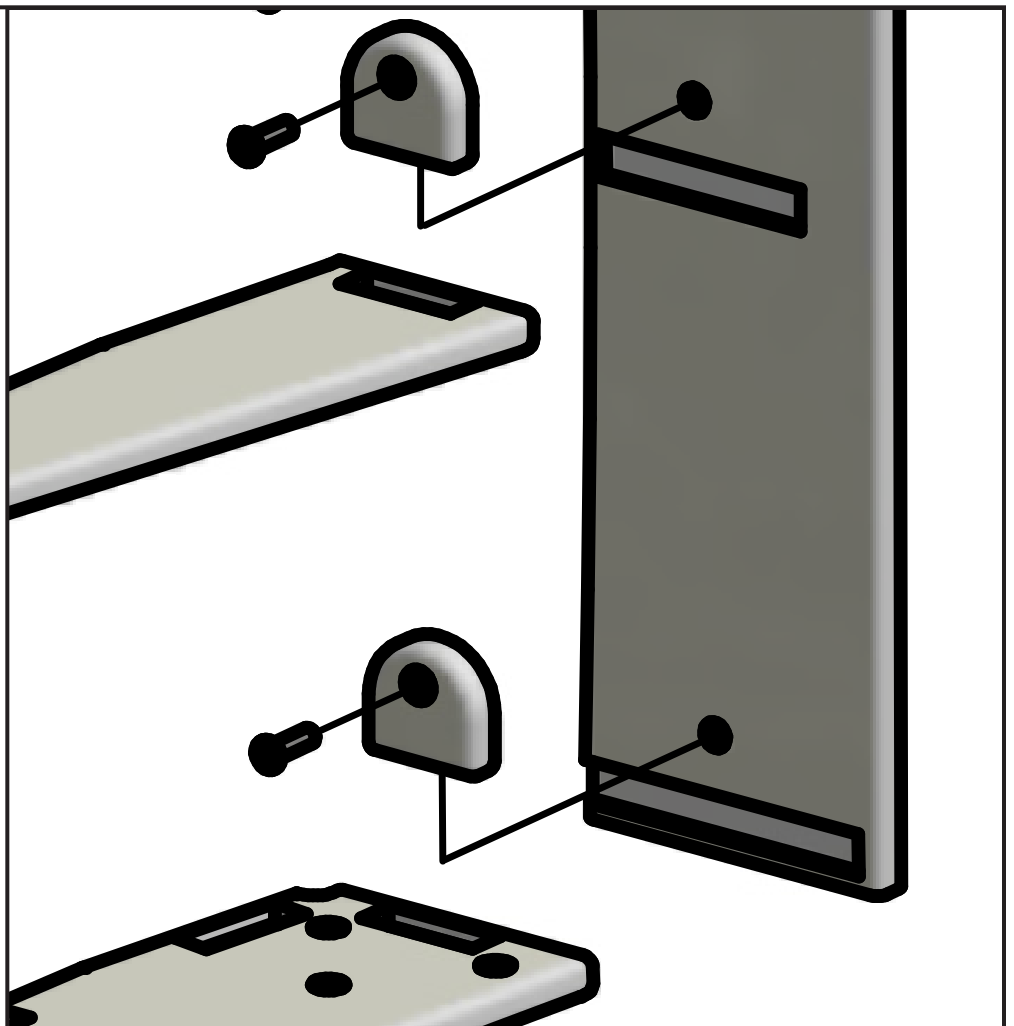
GB 1x

GB 3x



1" FLAT HEAD

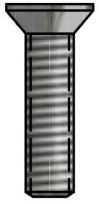
3x



4

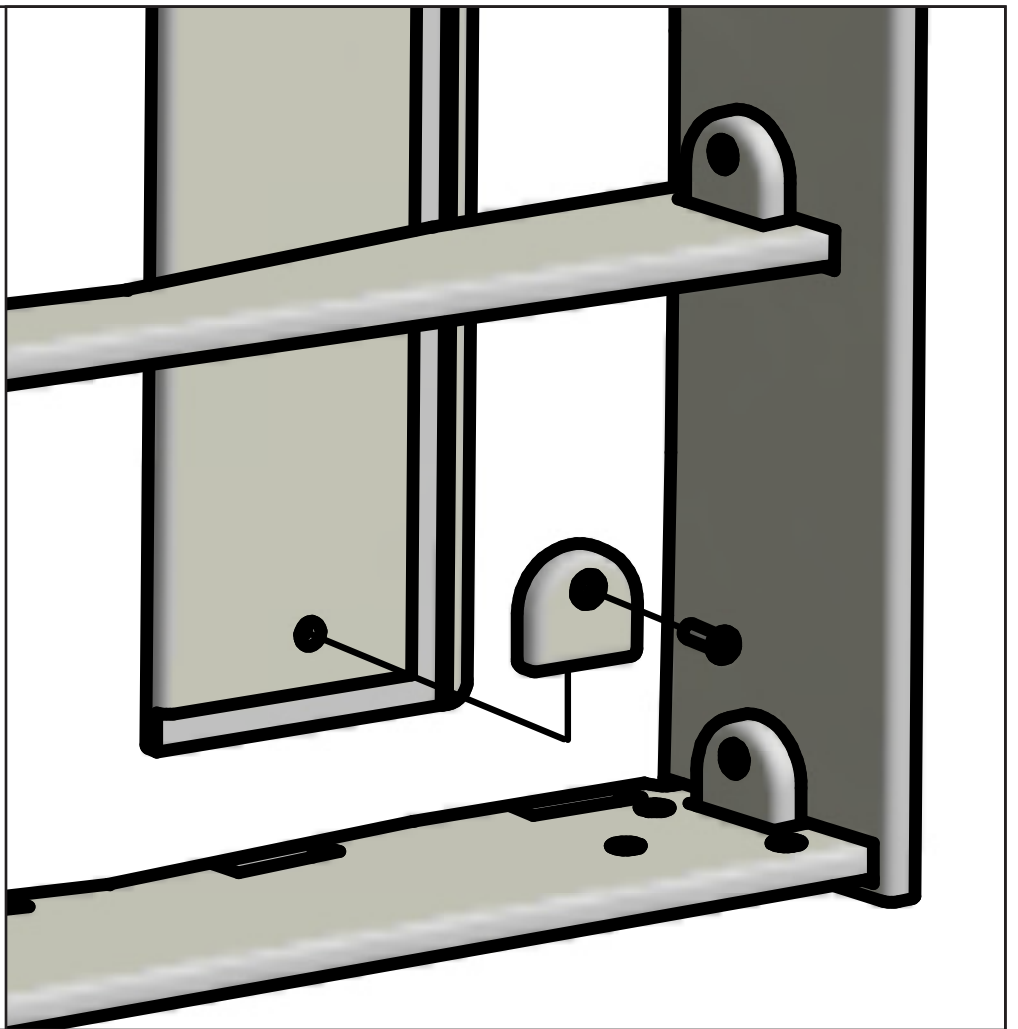
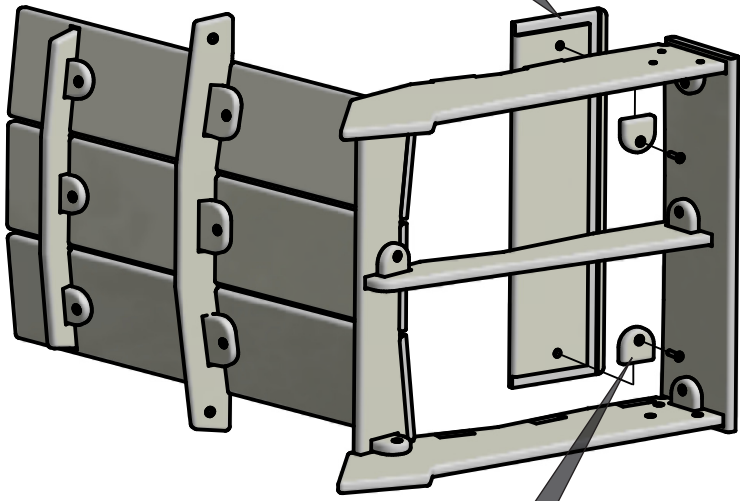
P12 1x

GB 2x



1" FLAT HEAD

2x



5

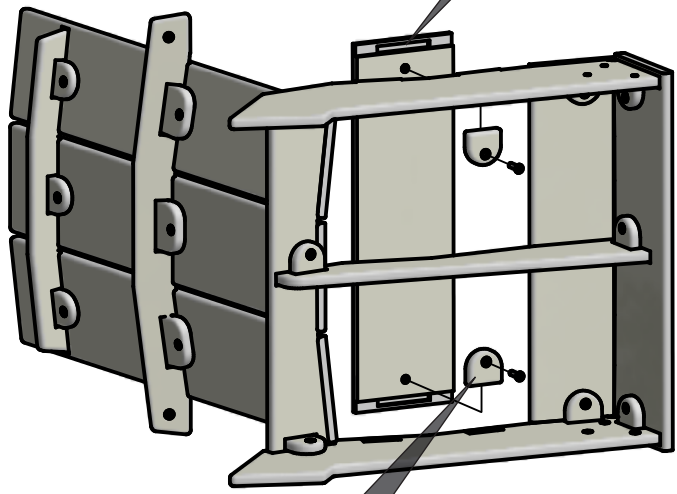
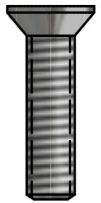
P13

2x3 SLAT	4 SLAT
1x	2x

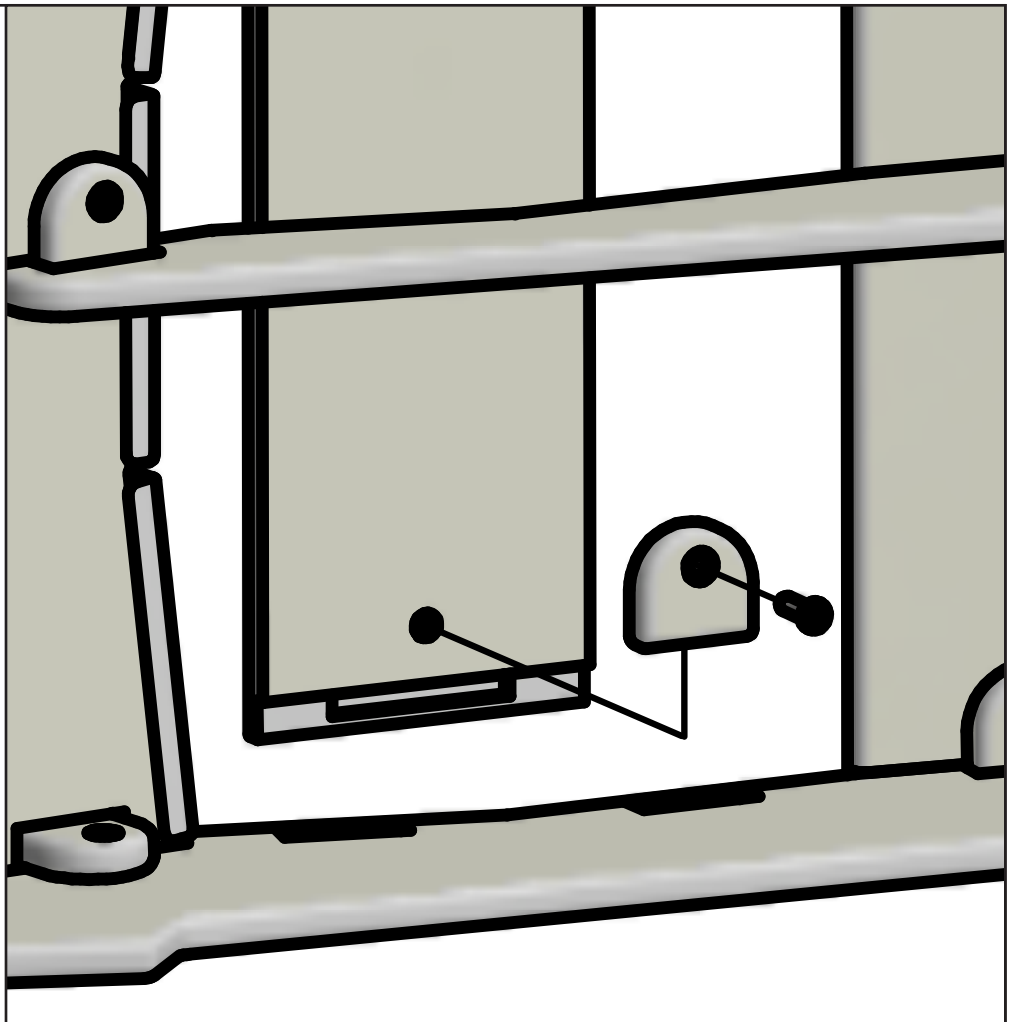
GB

2x3 SLAT	4 SLAT
2x	4x

1" FLAT HEAD	
2x3 SLAT	4 SLAT
2x	4x



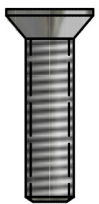
*4 Slat assembly not shown.



6

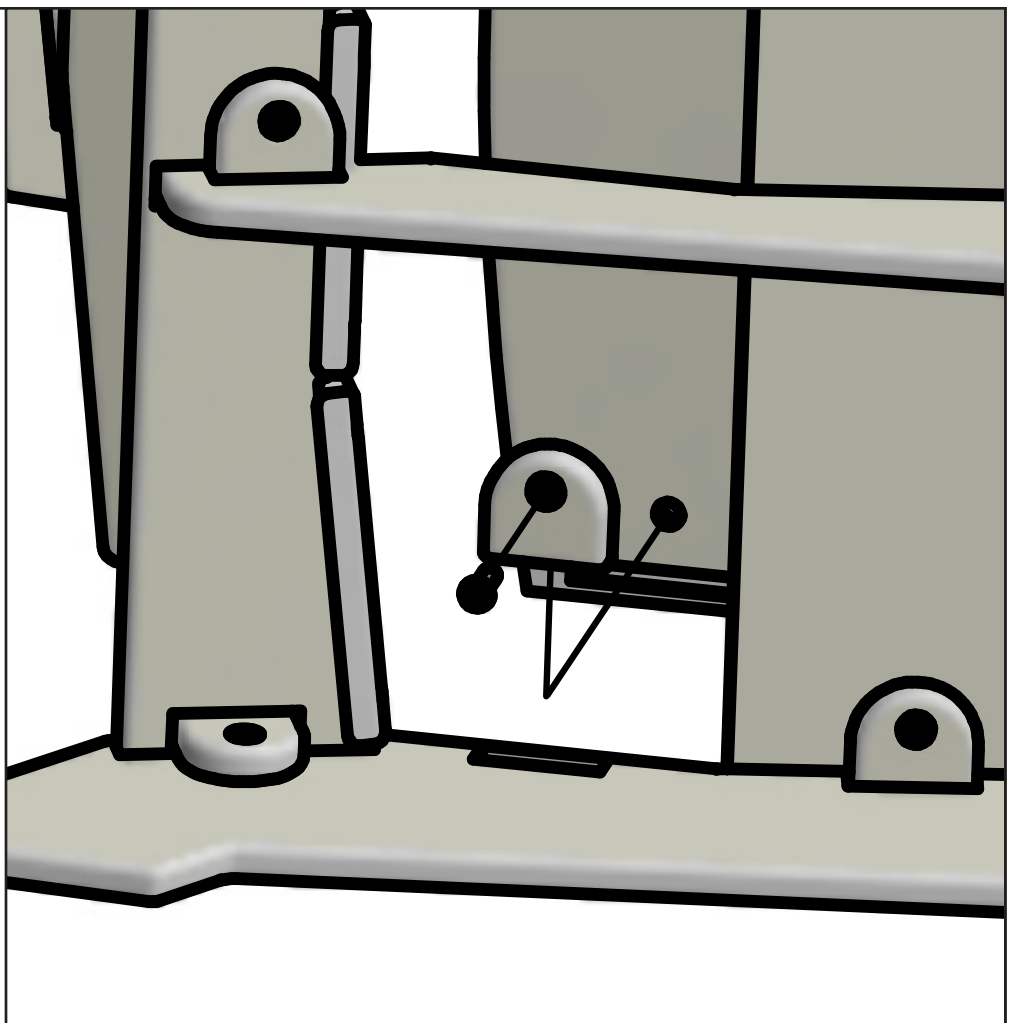
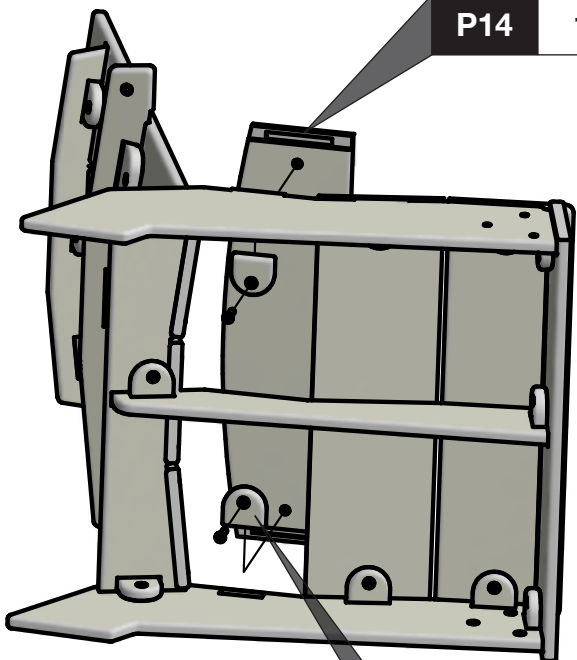
P14 1x

GB 2x



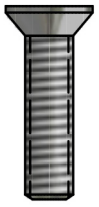
1" FLAT HEAD

2x



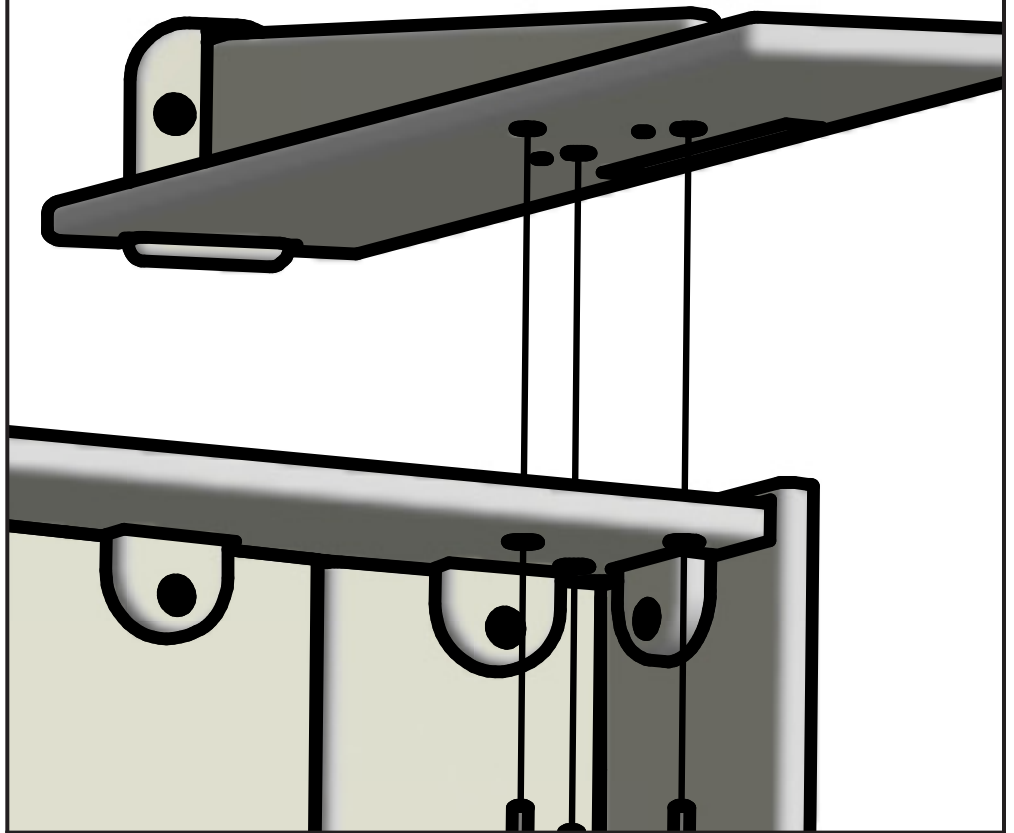
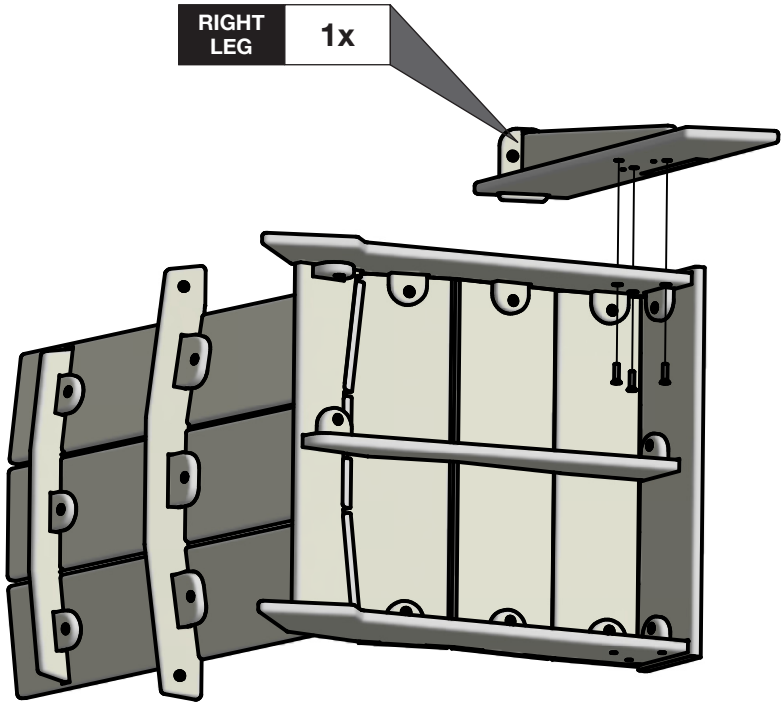
7

RIGHT LEG 1x



1" FLAT HEAD

3x

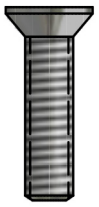


REPEAT TO ATTACH LEFT LEG

8

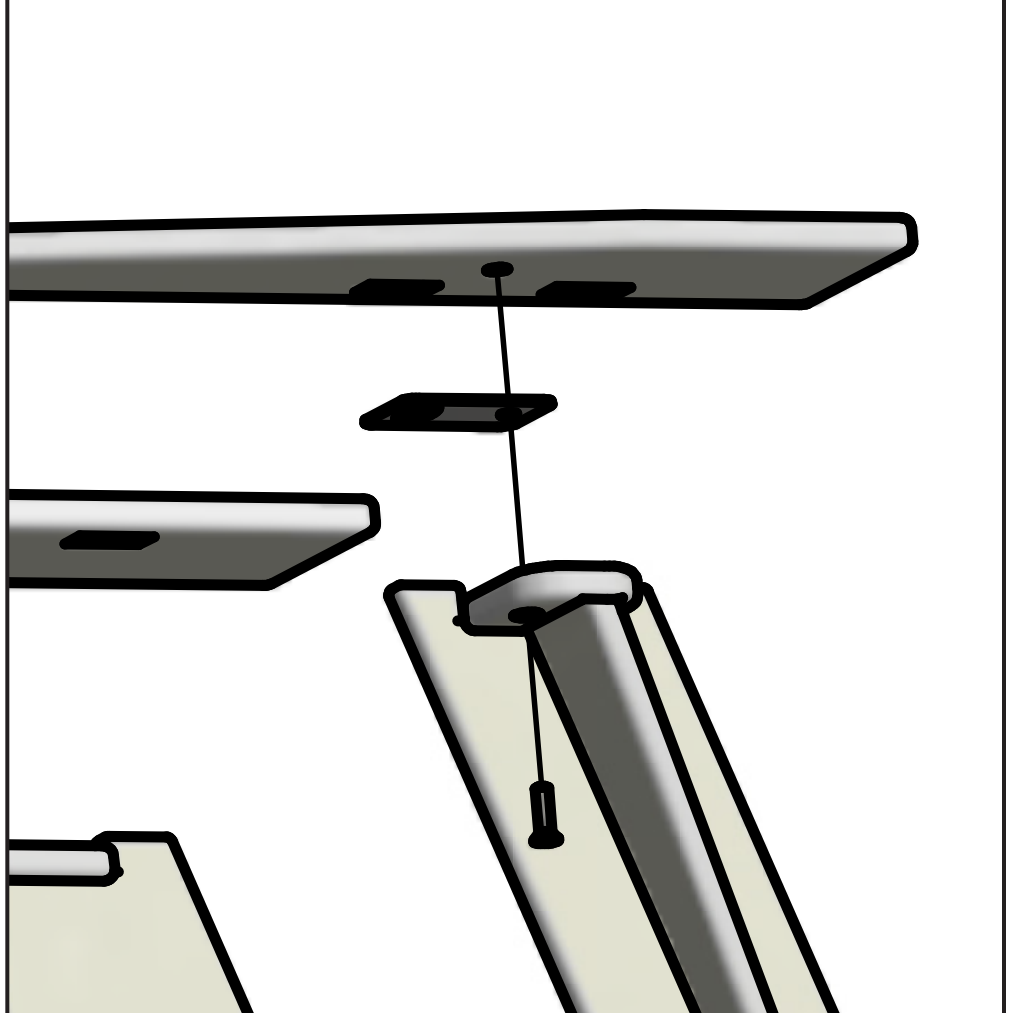
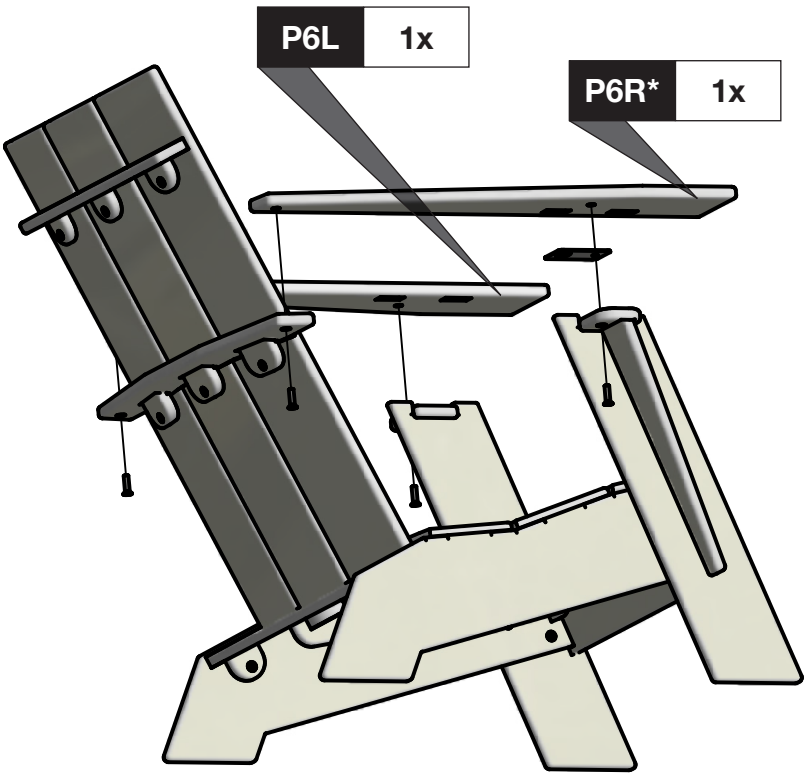
P6L 1x

P6R* 1x



1" FLAT HEAD

4x



**Do not remove tape from bottle opener in Right Arm (P6R) until all bolts are tightened and secure.*