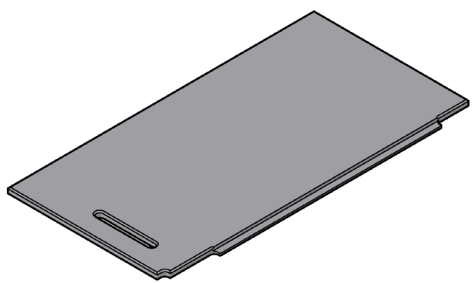
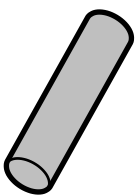


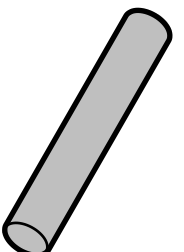
INCLUDED PARTS



DOORS
2x



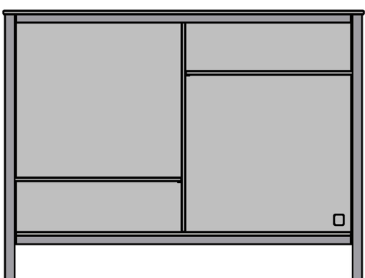
1" PIN
8x



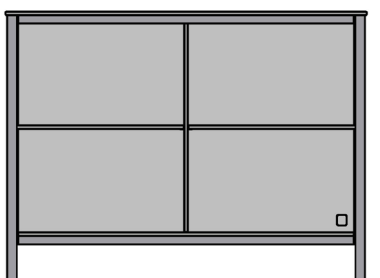
1.5" PIN
2x

The two shelves in the cabinet can be installed at different heights (staggered) or at the same height (aligned).

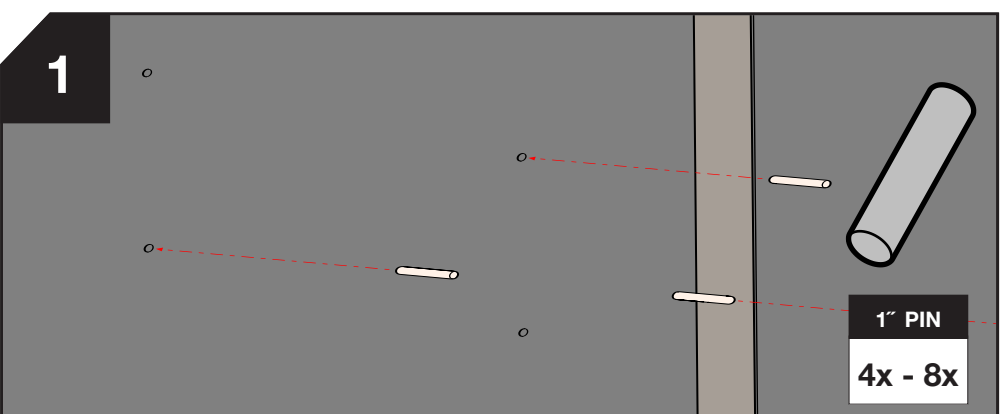
*Visual shown without doors for reference.



Staggered

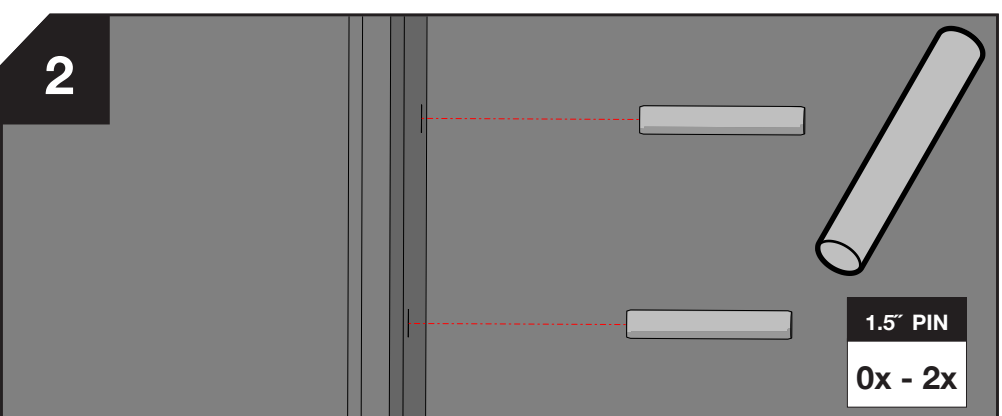


Aligned



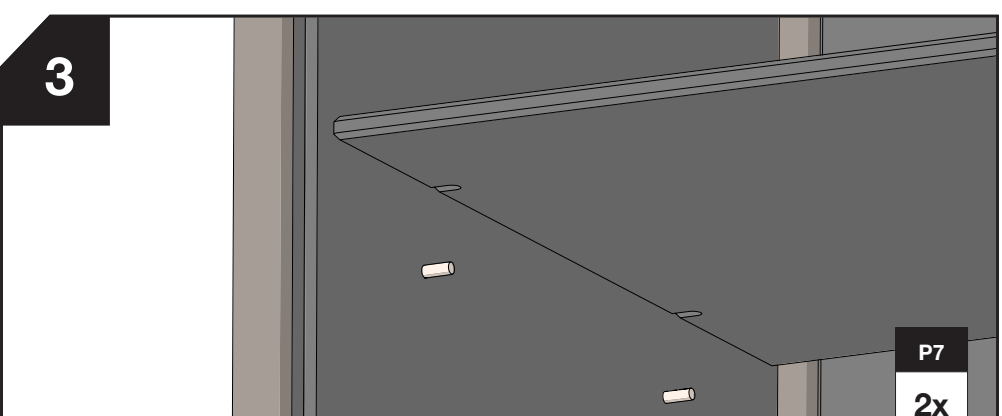
To install the shelves at staggered heights, use (4) of the 1" pins for each shelf at the heights desired.

You will not use the provided 1.5" pins.



To install the shelves aligned, insert the (2) 1.5" pins in the center divider so they extend an equal amount in both sides.

Insert (2) 1" pins in each side panel at the same height as the 1.5" pins.



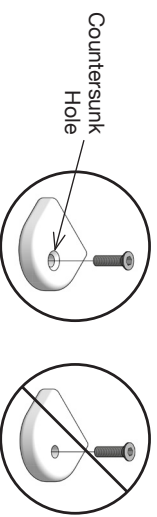
Install the shelves with the notched side facing down so that the pins align with the notches.

ASSEMBLY TIPS: 5 Important Points You NEED to Read

1. Prior to beginning assembly, please inspect and inventory the parts to make sure you have everything and that nothing was damaged during shipping. If damage has occurred, please take photos and go to lollidesigns.com/damage. Rest assured we'll get it taken care of straight away!
2. To avoid scratching furniture, assemble on a clean, soft surface like a blanket, carpet, or the flattened cardboard box the furniture was shipped in.
3. **Start all bolts by hand to ensure proper alignment and to prevent cross threading.** Then using the provided tool, tighten until you feel resistance. Do not overtighten.
4. Bolts should not be forced, but some components, particularly blocks, fit snug but can still be installed without tools or excess force.
5. If parts are still not going together, please send us a photo of the part you are having trouble with.

BLOCK & BOLT INSTALLATION

Insert bolts through countersunk hole side of blocks as shown below.



"Loll Designs inspires people to appreciate the outdoors."

Greg Benson - Founder

♻️ RECYCLE THE PACKAGING

We've gone through great lengths to make as much of our packaging as possible recyclable. The cardboard box, paper wrap, filler and paper bags can all go in your recycling bin. The muslin hardware bags replaced plastic bags with the intention of reducing plastic and encouraging reuse. Loll Designs and Planet Earth thank you!

WE WANT YOU TO LOVE YOUR LOLL

For more info and visual aids, watch the assembly videos at www.lollidesigns.com/videos
For product care & maintenance, visit www.lollidesigns.com/care-maintenance
For further lollygagging assistance, please reach out!

+1 877-740-3387
sales@lollidesigns.com

5912 Waseca Street
Duluth, Minnesota 55807

ASSEMBLY INSTRUCTIONS & PRODUCT INFO:

FULL CABINET SHELF & DOOR INSTALLATION



MADE IN THE USA



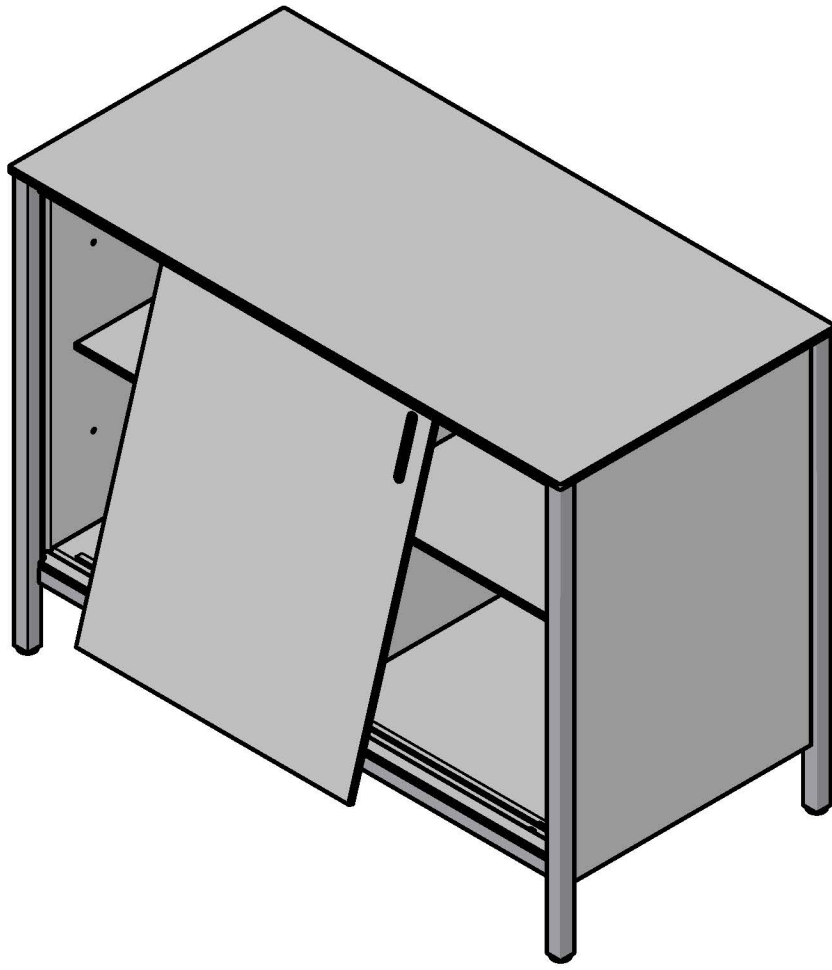
ORIGINAL



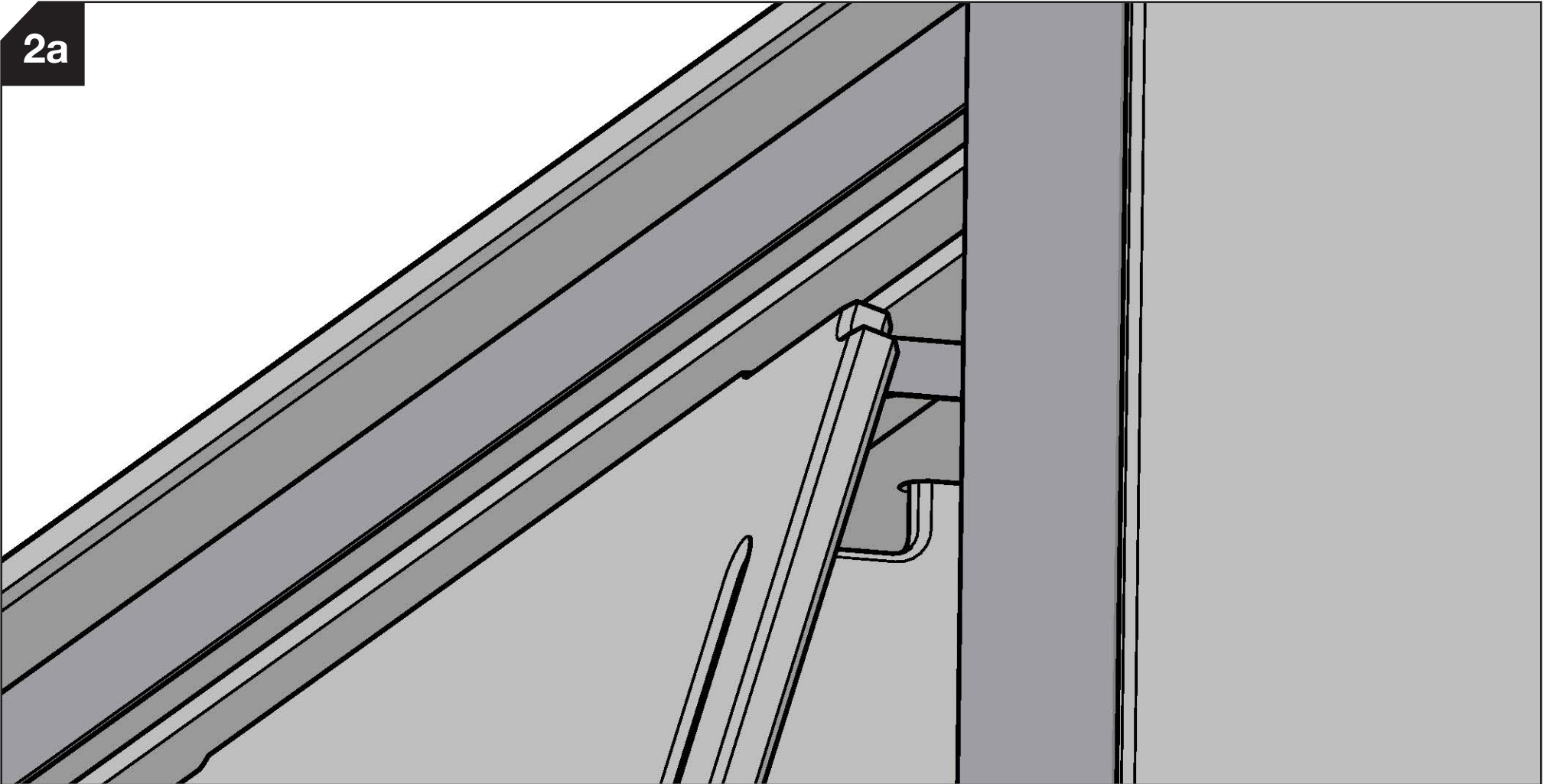
it's good to be recycled

LOLL
DESIGNS

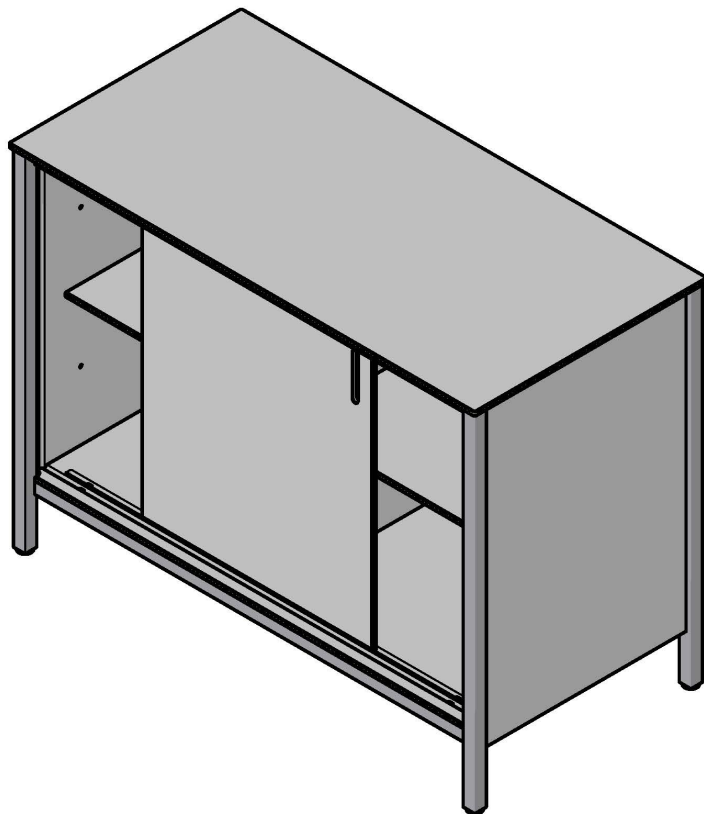
1a



2a



3a



Repeat steps 1a through 3a to install second door