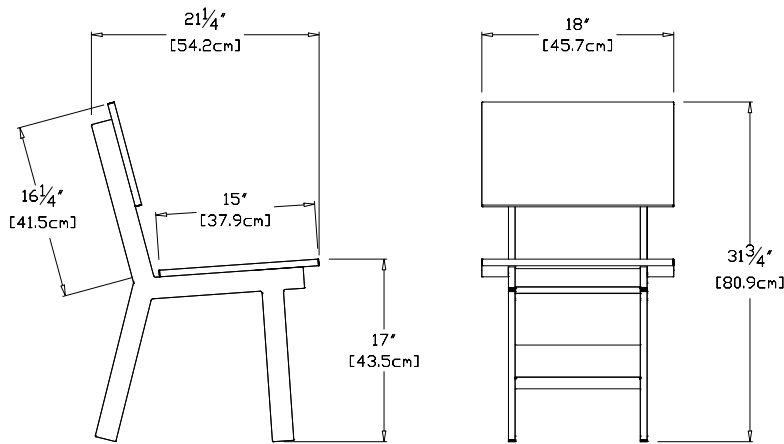




charcoal: SC-EM-CG



black: SC-EM-BL



cloud: SC-EM-CW



leaf: SC-EM-LG



chocolate: SC-EM-CB



apple red: SC-EM-AR



sunset: SC-EM-OR



sky: SC-EM-SB



sand: SC-EM-SD



evergreen: SC-EM-EG



navy blue: SC-EM-NB

collection: Salmela

material: 100% recycled HDPE

dimensions: width: 18" (45.7cm)
depth: 21.25" (54.2cm)
height: 31.75" (80.9cm)

weight: 18 lbs (8.2 kg)



144
reclaimed
milk jugs

shipping dimensions: 30" x 20" x 6"
shipping weight: 28 lbs (12.7kg)



flat pack shipped
some assembly required

