

hourglass large



charcoal: FC-HGL-CG



black: FC-HGL-BL



cloud: FC-HGL-CW



leaf: FC-HGL-LG



chocolate: FC-HGL-CB



apple red: FC-HGL-AR



sunset: FC-HGL-OR



sky: FC-HGL-SB



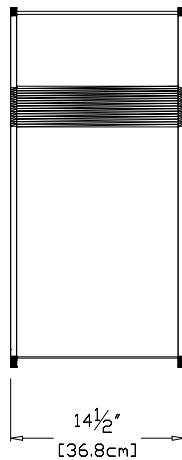
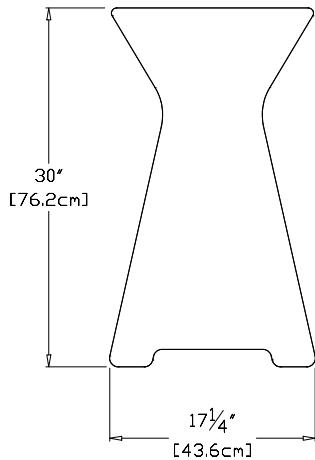
sand: FC-HGL-SD



evergreen: FC-HGL-EG



navy blue: FC-HGL-NB



collection: planter
material: 100% recycled HDPE
dimensions: width: 17.25" (43.6cm)
 depth: 14.5" (36.8cm)
 height: 30" (76.2cm)
weight: 28 lbs (12.7kg)



224
reclaimed
milk jugs

shipping dimensions: 36" x 18" x 6"
shipping weight: 33 lbs (15.0kg)



flat pack shipped
some assembly required

