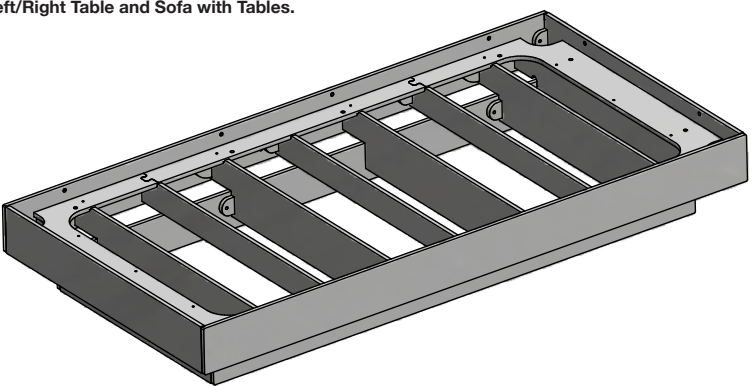


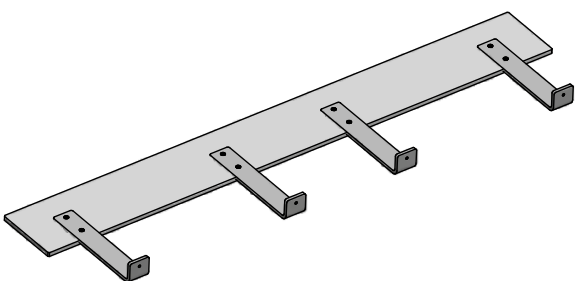
INCLUDED PARTS

*Sectional Sofa base shown.
Instructions also apply to Sectional Sofa with Left/Right Table and Sofa with Tables.



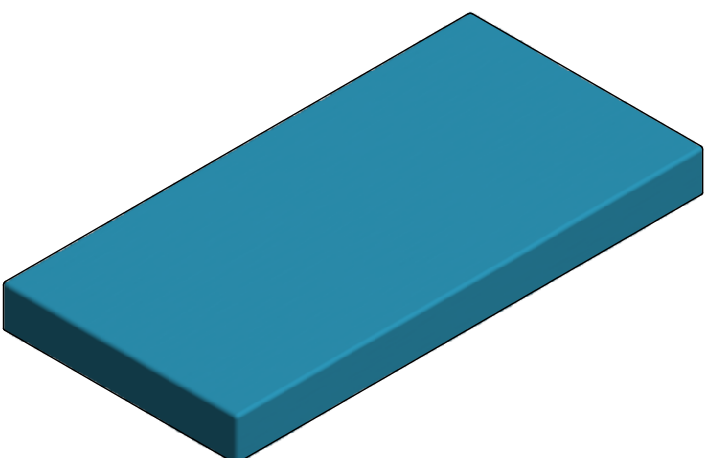
SOFA BASE

1x



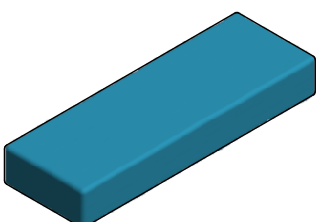
DOUBLE BACK ASSEMBLY

1x



SEAT CUSHION

1x



BACK CUSHION

2x



5/8"

8x

*Bolts shown actual size.

ASSEMBLY TIPS: 5 Important Points You NEED to Read

1. Prior to beginning assembly, please inspect and inventory the parts to make sure you have everything and that nothing was damaged during shipping. If damage has occurred, please take photos and go to lollidesigns.com/damage. Rest assured we'll get it taken care of straight away!
2. To avoid scratching furniture, assemble on a clean soft surface like a blanket, carpet, or the flattened cardboard box the furniture was shipped in.
3. **Start all bolts by hand to ensure proper alignment and to prevent cross threading.** Then using the Allen Key or Loll Tool, tighten until you feel resistance.
4. Bolts should not be forced, but some components, particularly the blocks will need a bit of muscle to get them together as they are machined for a snug fit. If parts are still not going together, please send us a photo of the part you are having trouble with.
5. You can use a cordless screw gun if you have one and know how to use it. Set the clutch setting at low to medium torque. **We do not recommend using an electric drill without a clutch** to install bolts as you can easily overtighten and damage the product.

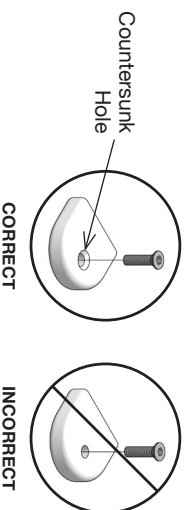
LOLL TOOL

Locate the box marked "Tool Included" before beginning assembly.



BLOCK & BOLT INSTALLATION

Insert bolts through countersunk hole side of blocks as shown below.



♻️ RECYCLE THE PACKAGING

We've gone through great lengths to make as much of our packaging as possible recyclable. The cardboard box, paper wrap, filler and paper bags can all go in your recycling bin. The muslin hardware bags replaced plastic bags with the intention of reducing plastic and encouraging reuse. Loll Designs and Planet Earth thank you!

"Loll Designs inspires people to appreciate the outdoors."

Greg Benson - Founder/CEO

WE WANT YOU TO LOVE YOUR LOLL

For more info and visual aids, watch the assembly videos at www.lollidesigns.com/videos
For product care & maintenance, visit www.lollidesigns.com/care-maintenance
For further lollygagging assistance, please reach out!

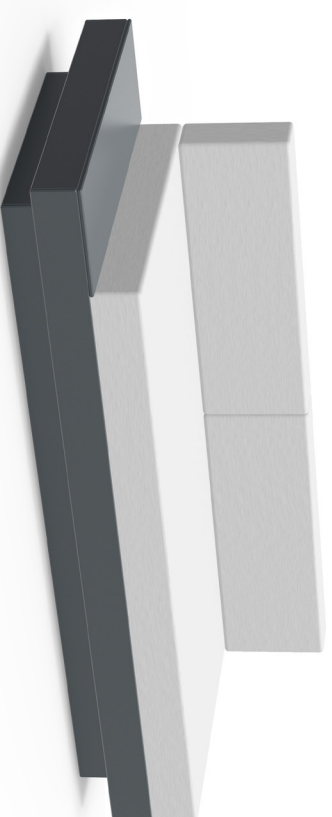
+1 877-740-3387

sales@lollidesigns.com

5912 Waseca Street
Duluth, Minnesota 55807

ASSEMBLY INSTRUCTIONS & PRODUCT INFO:

PLATFORM ONE SOFA



MADE IN THE USA



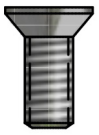
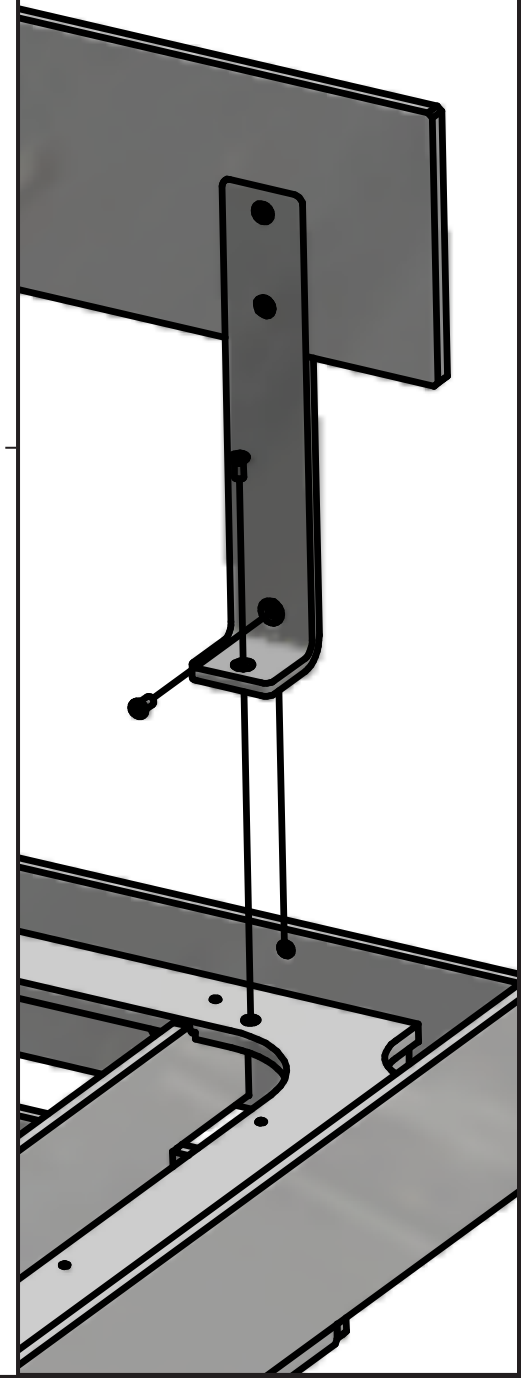
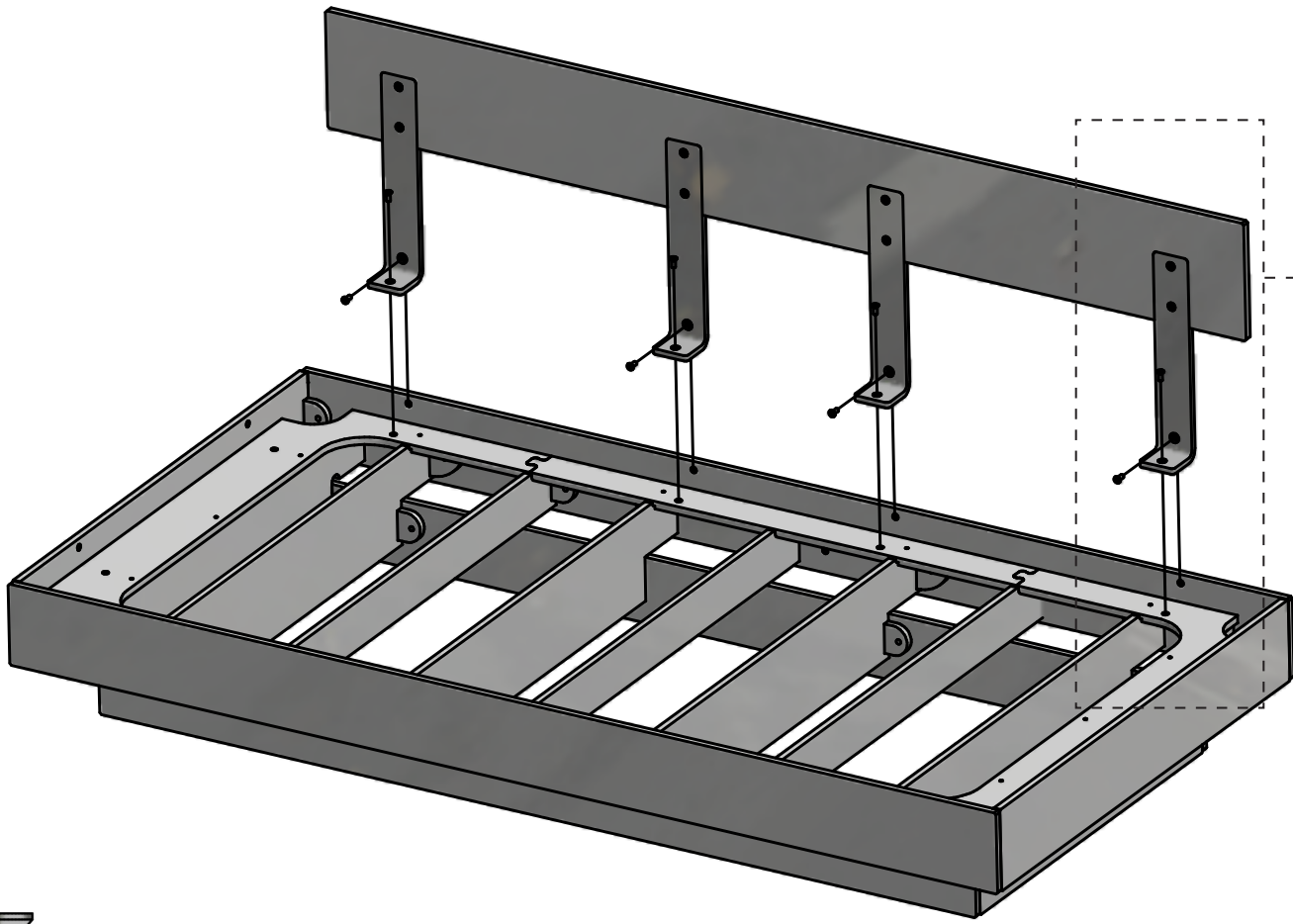
ORIGINAL Member



it's good to be recycled

loll
DESIGNS

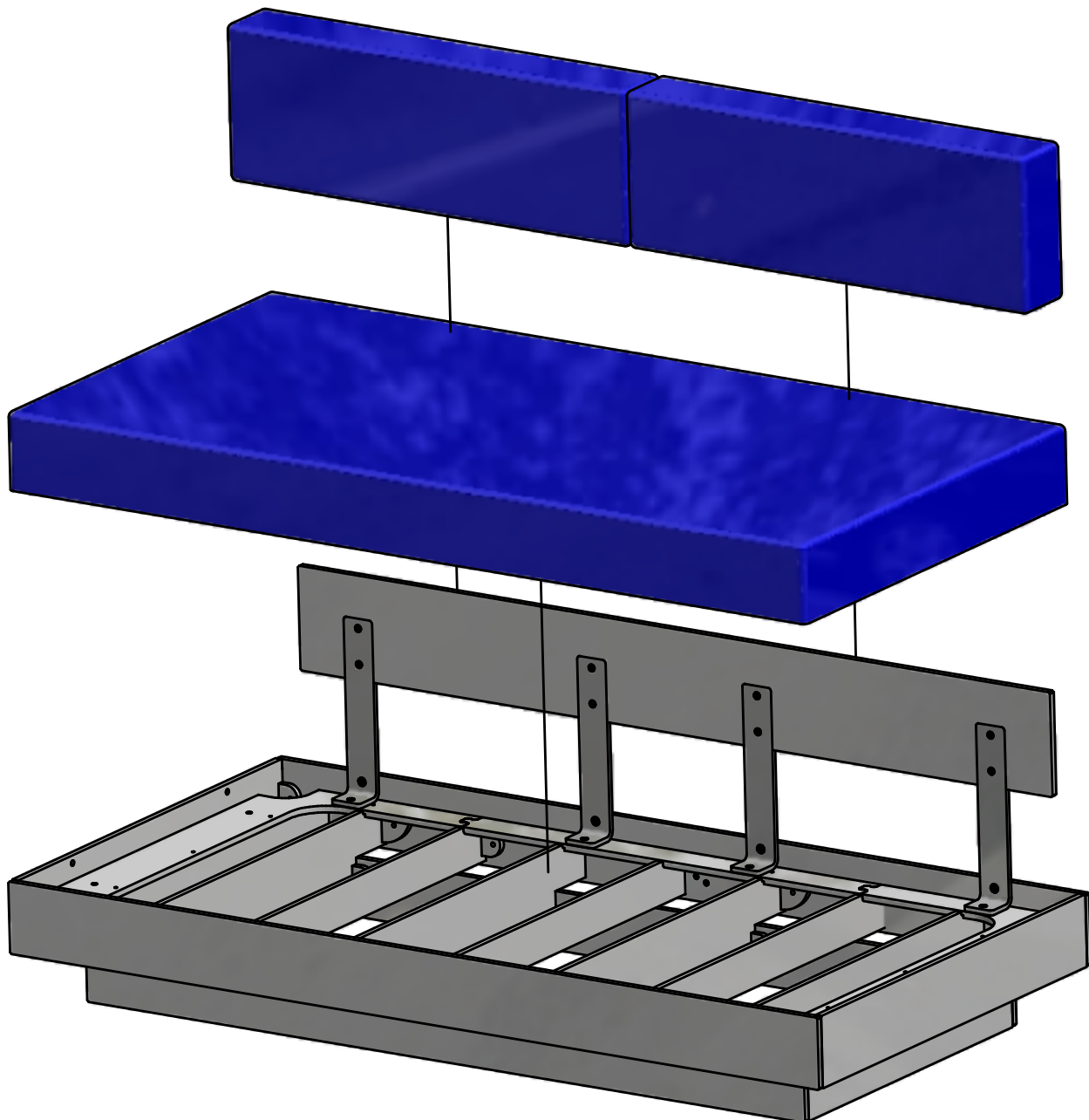
1



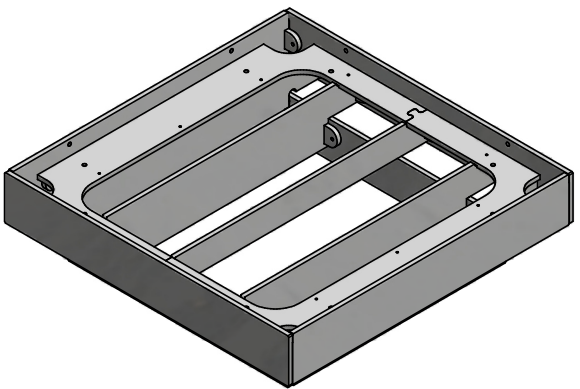
5/8"

8x

2

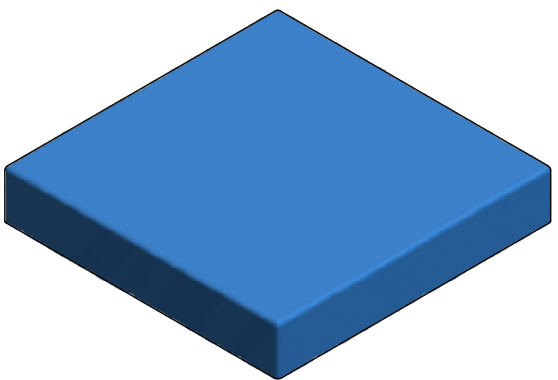


INCLUDED PARTS



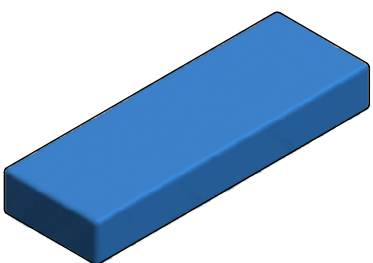
BASE ASSEMBLY

1x



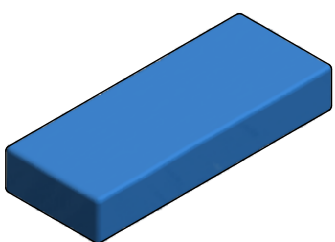
SEAT

1x



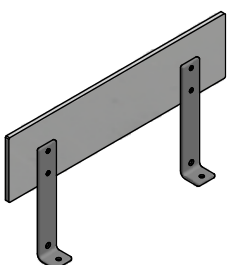
BACK

LOUNGE	CORNER
1x	1x



ARM

LOUNGE	CORNER
0x	1x



BACKREST

LOUNGE	CORNER
1x	2x



5/8" BOLT

LOUNGE	CORNER
4x	8x

*Bolt shown actual size.

ASSEMBLY TIPS: 5 Important Points You NEED to Read

1. Prior to beginning assembly, please inspect and inventory the parts to make sure you have everything and that nothing was damaged during shipping. If damage has occurred, please take photos and go to lollidesigns.com/damage. Rest assured we'll get it taken care of straight away!
2. To avoid scratching furniture, assemble on a clean soft surface like a blanket, carpet, or the flattened cardboard box the furniture was shipped in.
3. **Start all bolts by hand to ensure proper alignment and to prevent cross threading.** Then using the Allen Key or Loll Tool, tighten until you feel resistance.
4. Bolts should not be forced, but some components, particularly the blocks will need a bit of muscle to get them together as they are machined for a snug fit. If parts are still not going together, please send us a photo of the part you are having trouble with.
5. You can use a cordless screw gun if you have one and know how to use it. Set the clutch setting at low to medium torque. **We do not recommend using an electric drill without a clutch** to install bolts as you can easily overtighten and damage the product.

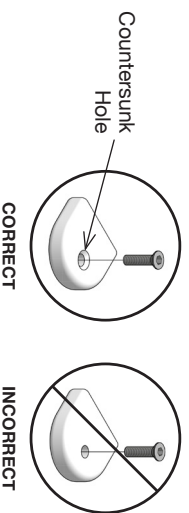
LOLL TOOL

Locate the box marked "Tool Included" before beginning assembly.



BLOCK & BOLT INSTALLATION

Insert bolts through countersunk hole side of blocks as shown below.



"Loll Designs inspires people to appreciate the outdoors."

Greg Benson - Founder/CEO

♻️ RECYCLE THE PACKAGING

We've gone through great lengths to make as much of our packaging as possible recyclable. The cardboard box, paper wrap, filler and paper bags can all go in your recycling bin. The muslin hardware bags replaced plastic bags with the intention of reducing plastic and encouraging reuse. Loll Designs and Planet Earth thank you!

WE WANT YOU TO LOVE YOUR LOLL

For more info and visual aids, watch the assembly videos at www.lollidesigns.com/videos. For product care & maintenance, visit www.lollidesigns.com/care-maintenance. For further lollygagging assistance, please reach out!

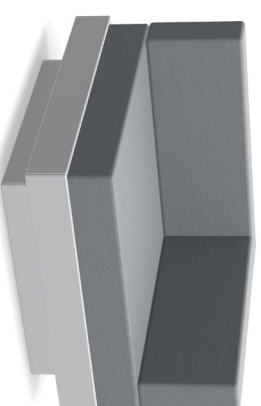
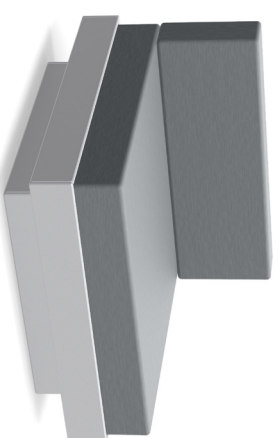
+1 877-740-3387

sales@lollidesigns.com

5912 Waseca Street
Duluth, Minnesota 55807

ASSEMBLY INSTRUCTIONS & PRODUCT INFO:

PLATFORM ONE LOUNGE + CORNER



MADE IN THE USA



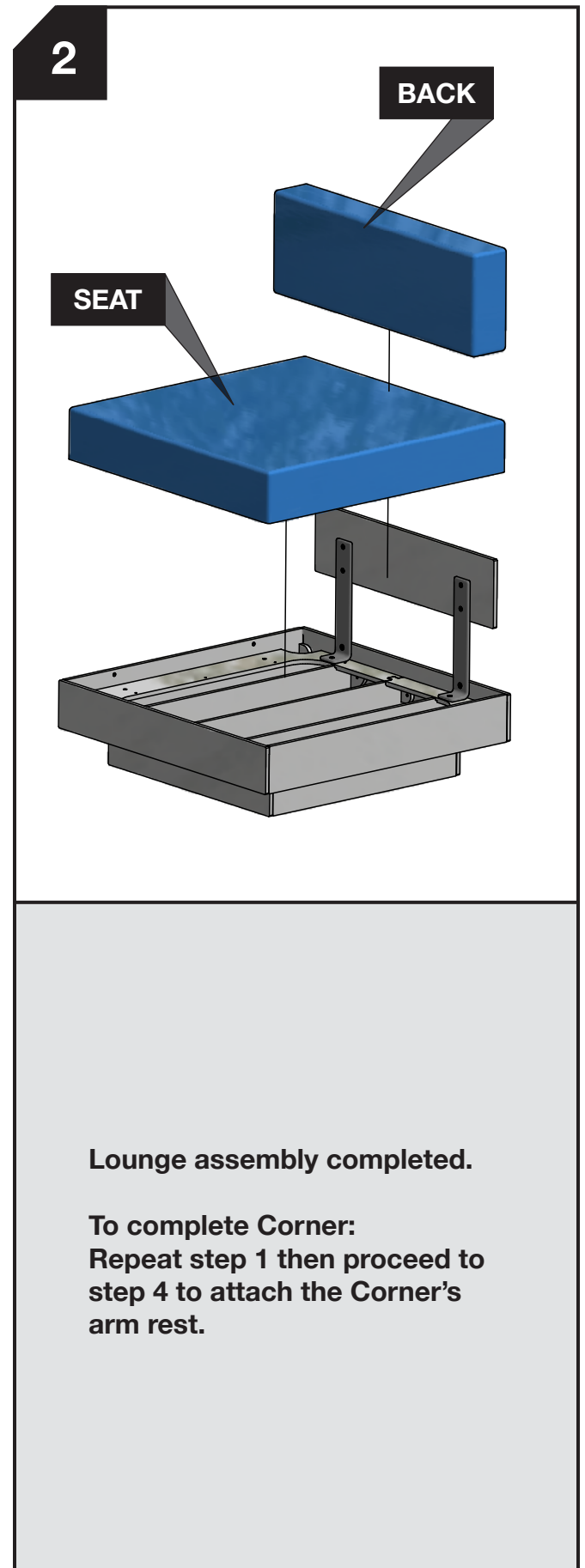
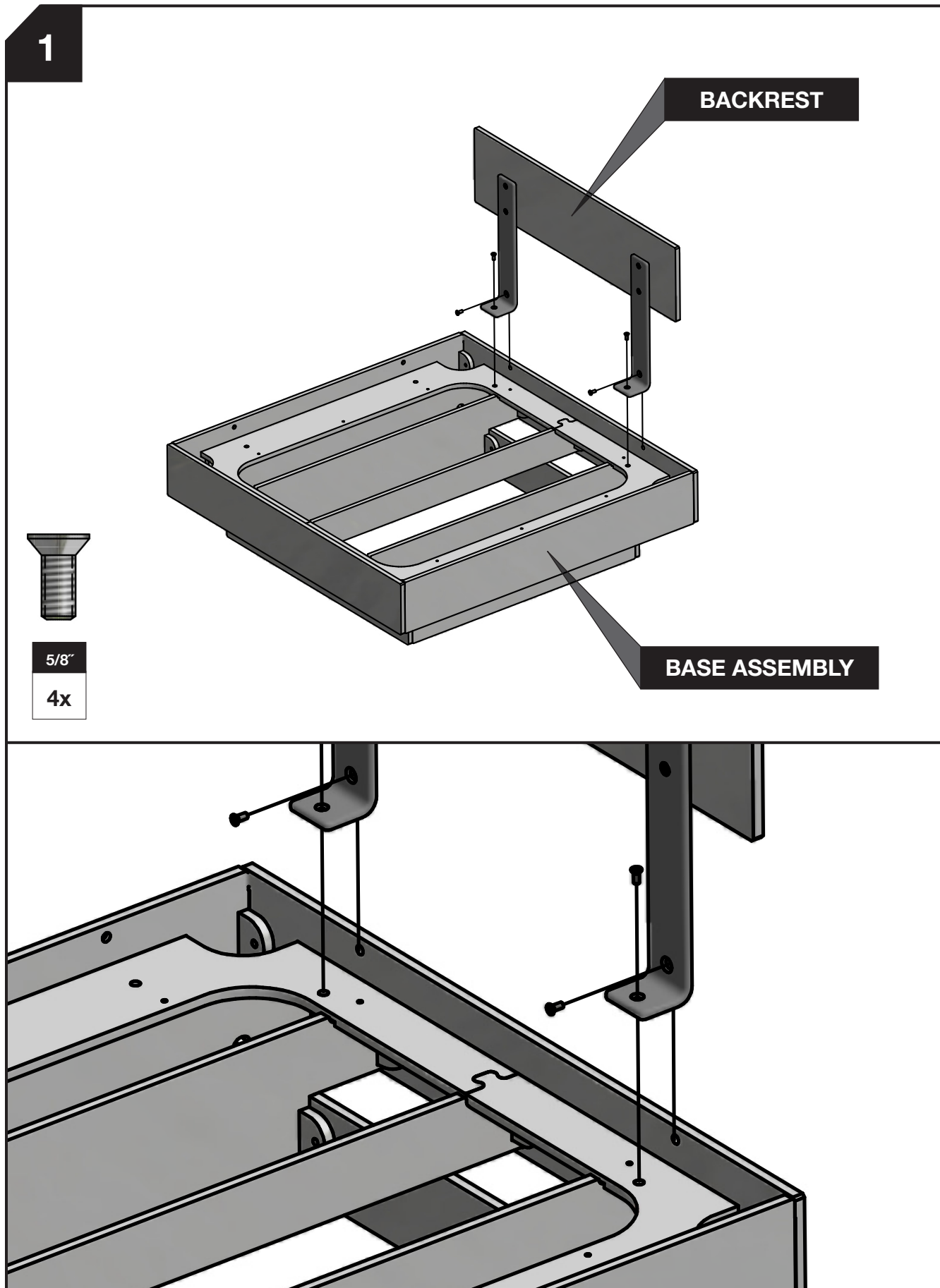
100% ORIGINAL Member



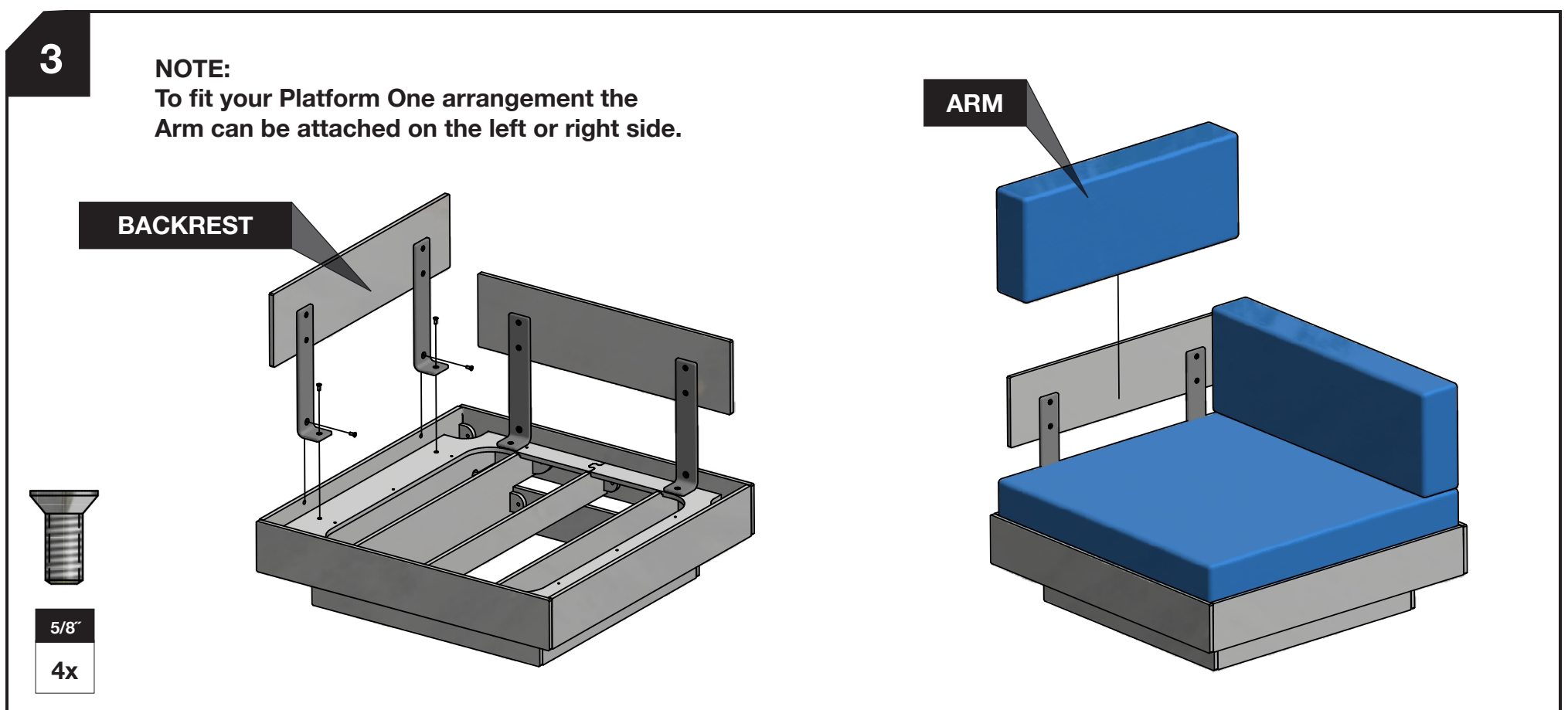
it's good to be recycled

LOLL
DESIGNS

LOUNGE + CORNER BACK REST ASSEMBLY INSTRUCTIONS



ARM ASSEMBLY INSTRUCTIONS: CORNER

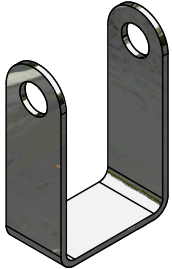


*When attaching multiple Platform One pieces together please reference Clip Assembly Instructions.

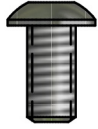


PLATFORM ONE CLIP ASSEMBLY INSTRUCTIONS

INCLUDED PARTS



CLIP
2x



1/2"
4x

1 Position your Platform One pieces together.

2 Fit Clips from bottom and attached with 1/2" bolts.

CLIP

CLIP

1/2"

4x

3 Assembly completed.