



**SHARE YOUR LOLL**

**5 YR WARRANTY**  
 Loll Designs strives to build long-term relationships based on confidence and trust with our customers. We sit beside, on top, and beneath the quality of our fine furniture and will make things right if you are not completely satisfied with your purchase. Loll Designs hereby guarantees that the piece will be of good quality and workmanship, free from faults and defects. Loll warrants that all components will not fail, under normal use, for five years from the year mark on the piece or the date of purchase. \*For commercial orders the warranty is three years.

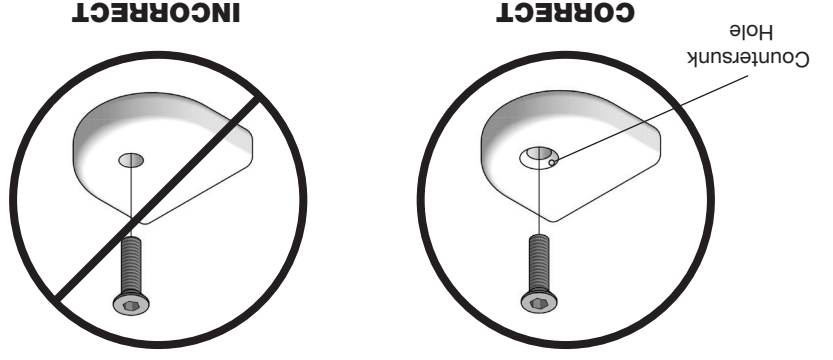
**PRODUCT CARE**  
 Your new Loll furniture is a no maintenance product. You'll never need to paint or stain it and it can be left outside all year regardless of the season. It will not rot, even if left standing in water. Nonetheless, we're pretty sure your Loll furniture will get a lot of use and will at some point need cleaning. We recommend a garden hose and incorporating a soft bristle brush. Adding a tablespoon or two of your favorite eco-friendly soap to the wash will get everything squeaky clean. Mineral deposits left over from hard water can be removed with a solution of vinegar and water. Loll offers a cleaning kit that has everything you need for great results. Also see our cleaning video at lollidesigns.com/videos.

Loll Designs inspires people to appreciate the outdoors.

**ASSEMBLY INSTRUCTIONS & PRODUCT INFO:**  
 PICKET CHAIR



**LOLL TOOL**  
 Locate the box marked "Tool Included" before beginning assembly.



**BLOCK & BOLT INSTALLATION**  
 Insert bolts through countersunk hole side of blocks as shown below.

**ASSEMBLY TIPS**  
 To avoid damaging furniture perform the assembly of your Loll furniture on a clean soft surface like a blanket, carpet, or the flattened cardboard box the furniture was shipped in. Components should not be unnecessarily forced together! If it seems parts aren't fitting together you likely have something wrong and you should reread the instructions to ensure you are aligning the proper components. If your piece of furniture requires "Blocks" for assembly one side may have protective film on it. This surface is hidden after assembly so the film can remain on the block or it can be removed. Use a Cordless Screw Gun if you have one and know how to use it. Set the clutch setting at medium torque. We do not recommend using an electric drill with a cord and without a clutch to install bolts in inserts as you can easily overtighten and damage the product. All bolts come standard with a thread coating to reduce bolts loosening after assembly while still allowing removal and reuse of the bolt. Start all bolts by hand, with the Allen Key, or the Loll Tool and tighten firmly until parts are drawn tight together and you can't muscle the bolt any tighter; it's virtually impossible to over tighten by hand. Watch the assembly videos at www.lollidesigns.com/videos for even more information and visual aids. If you have more questions please contact your Loll Sales Associate or Customer Service for support at 877.740.3387. **A Pro Tool Kit!** can also be purchased from Loll for multi piece assembly jobs.

Scan for assembly tips and videos



**DAMAGED PRODUCT**  
 Sometimes accidents occur. Please inspect your Loll furniture when you receive it to make sure that it has not been damaged during shipping. If damage has occurred please take digital pictures of the damaged furniture and the box it was shipped in, and email them to sales@lollidesigns.com or call Customer Service using our toll free number: 877.740.3387, ext. 1. The damage will be assessed and you will be contacted with a solution to the problem. It may be helpful to save all of your packaging material in case a return is necessary.

**wrap we use is compostable.**  
 \*\* Please Recycle the BOX and paper packaging. The green plastic stretch

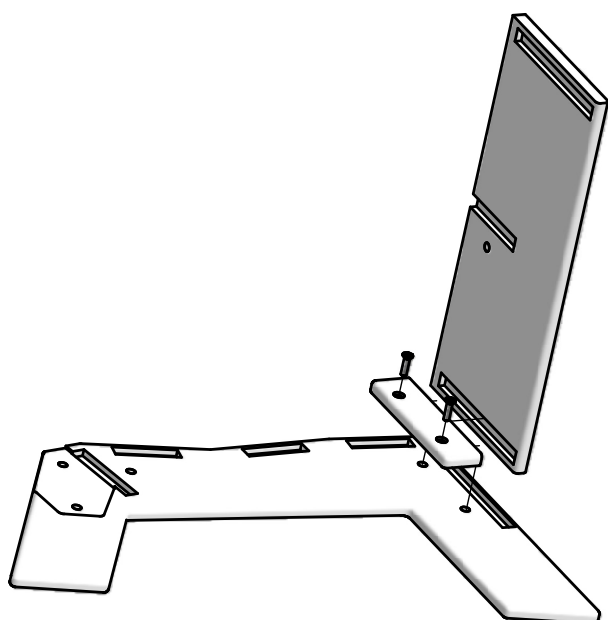
**INCLUDED PARTS**

BACK ASSEMBLY	COUNT	SEAT SLAT A	COUNT	SEAT SLAT B	COUNT	FACE PLATE	COUNT
	1		1		2		1
SEAT BRACE	COUNT	BACK BRACE	COUNT	RIGHT LEG	COUNT	LEFT LEG	COUNT
	1		1		1		1
BLOCK G	COUNT	BLOCK B	COUNT	1" BOLT	COUNT		
	10		2		20		

# ASSEMBLY INSTRUCTIONS

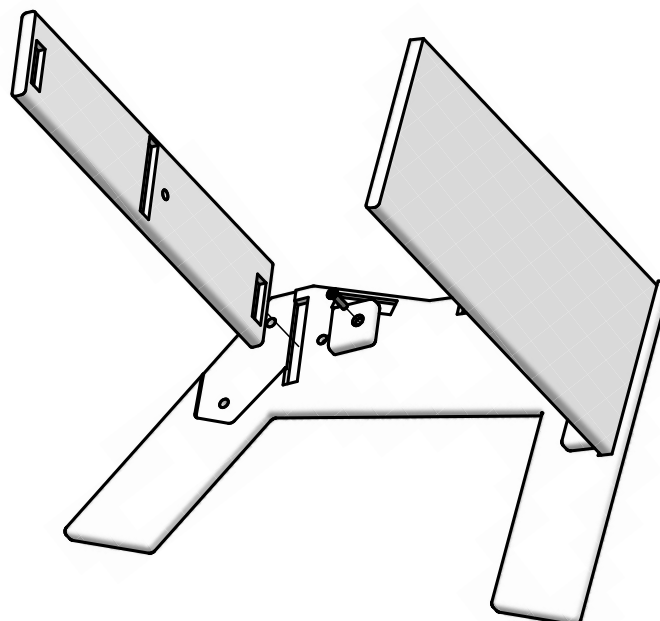
\* It is very important that you finger tighten all bolts into inserts to ensure that you do not cross-thread bolts and inserts before tightening. It will also be easier if you wait to tighten bolts until you have all bolts installed and the piece completely assembled. This will allow for more movement of individual pieces and help in aligning holes with inserts. Use the Allen Tool provided to finish tighten bolt until snug.

## 1 ATTACH FACE PLATE



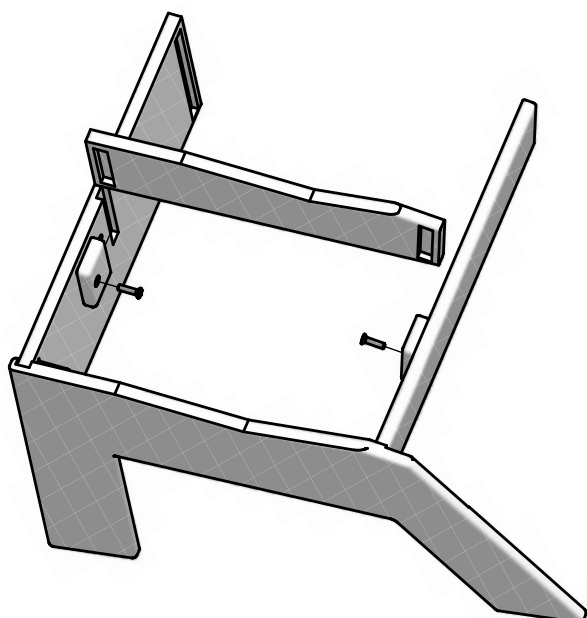
\*Please read **Assembly Tips** before beginning assembly. Fit the short edge of the Face Plate with the Left Legs long groove track cut out. Place Block B into the Face Plate cut out. Insert bolts through the block into the Left Legs threaded holes and finger tighten.

## 2 ATTACH BACK BRACE



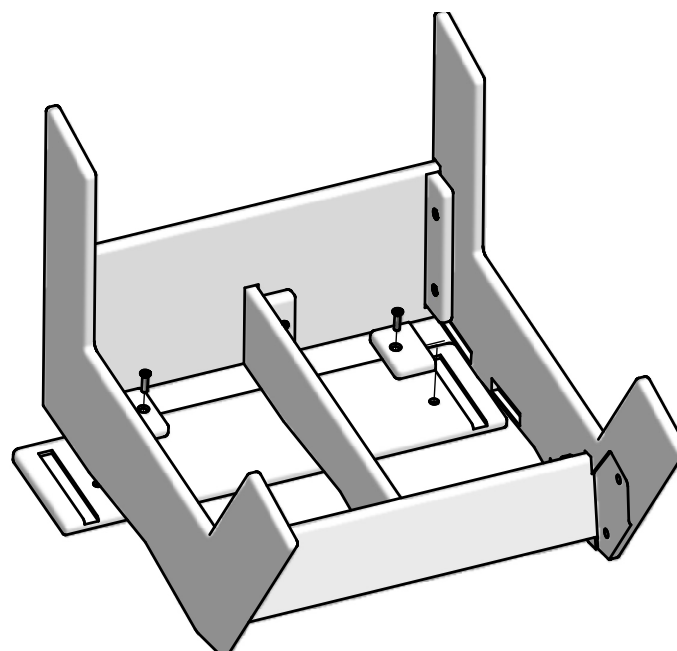
Fit the short edge of the Back Brace with the Left Legs short groove track cut out. Place Block G into the Back Brace cut out. Insert bolts through the block into the Left Legs threaded holes and finger tighten.

## 3 ATTACH SEAT BRACE



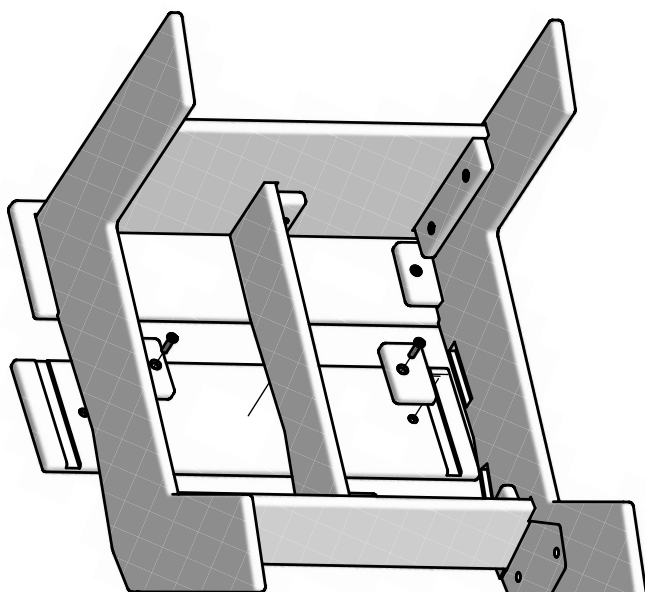
Slide the Seat Brace into cut outs of the Face Plate and Back Brace. Place Blocks G into the Seat Braces cut outs. Insert bolts through the blocks into the threaded holes of the Face Plate and Back Brace and finger tighten.  
\*Repeat steps 1 and 2 to attach the Right Leg.

## 4 ATTACH SEAT SLAT A



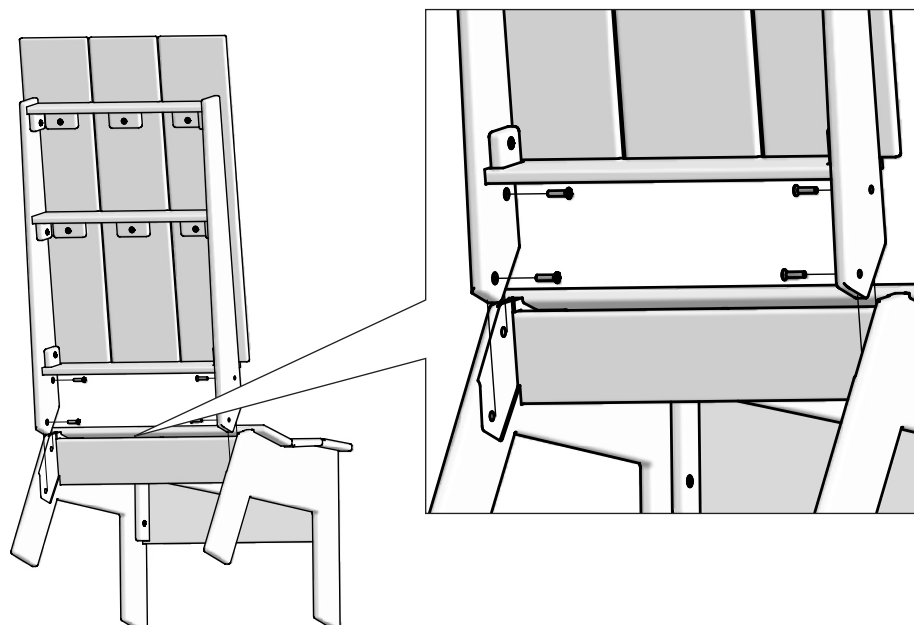
Fit Seat Slat A cut outs with the assembled Legs on Face Plate end. Place Blocks G into Leg cut outs. Insert bolts through the blocks into the seat slat and finger tighten.

## 5 ATTACH SLATS B



Fit Seat Slat B cut outs with the assembled Legs and align over the middle cut outs in the legs. Place Blocks G into Leg cut outs. Fit Seat Slat B cut outs with the assembled Legs and align over the rear cut outs in the legs. Place Blocks G into Leg cut outs. Insert bolts through the blocks into the seat slats and finger tighten.

## 6 ATTACH BACK



Align Back with seat assembly by fitting Back ends between the Legs. Align the holes in the back with threaded holes in the Legs and insert bolts. Finger tighten.

\*Using provided wrench securely tighten all bolts.