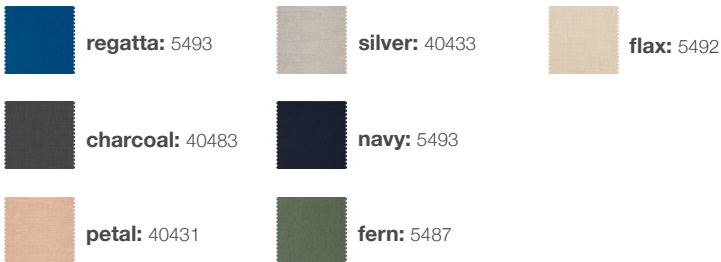


charcoal: NC-NS-(cushion code)-CG

cushion codes:



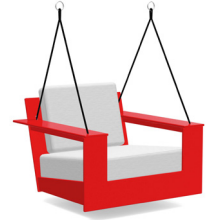
black:
NC-NS-(cushion code)-BL



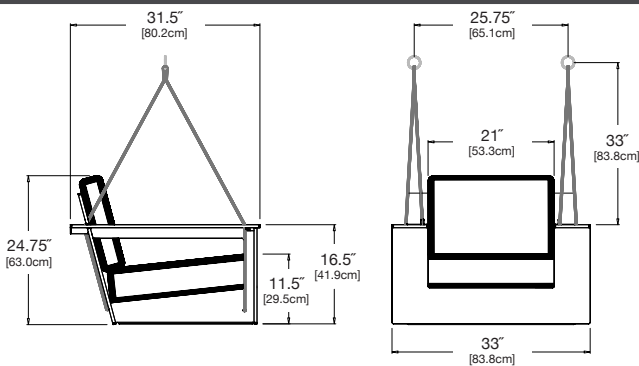
cloud:
NC-NS-(cushion code)-CW



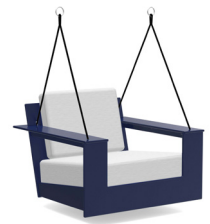
leaf:
NC-NS-(cushion code)-LG



apple red:
NC-NS-(cushion code)-AR



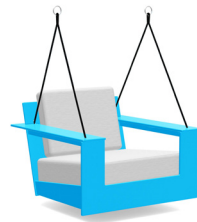
driftwood:
NC-NS-(cushion code)-DW



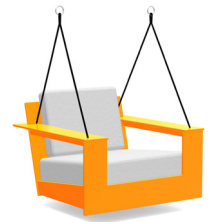
navy blue:
NC-NS-(cushion code)-NB

collection: nisswa
 material: HDPE
 dimensions: width: 33" (83.3cm)
 depth: 31.5" (80.2cm)
 height: 24.75" (71.4cm)
 weight: 47 lbs (21.3kg)

also available as porch swing.



sky:
NC-NS-(cushion code)-SB



sunset:
NC-NS-(cushion code)-OR

shipping dimensions: pallet



ships oversized
fully assembled