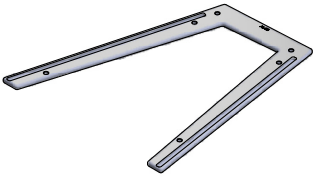
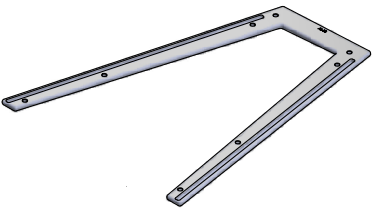
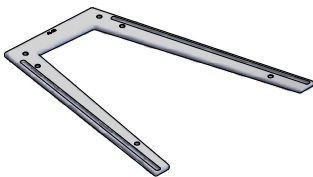
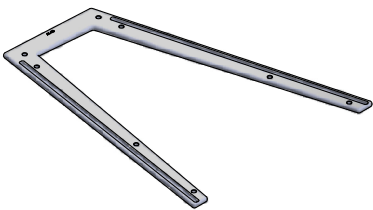
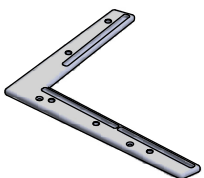
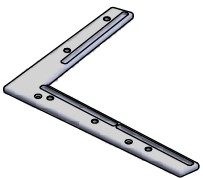
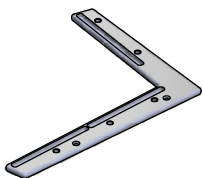
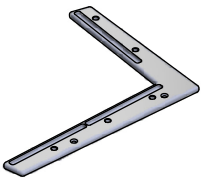
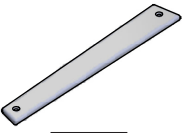
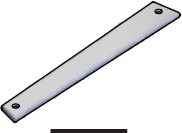
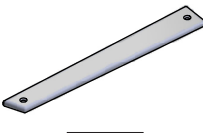
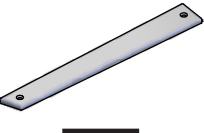
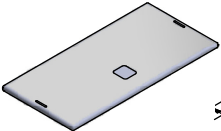
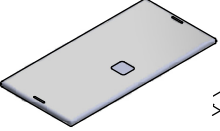
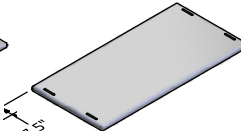
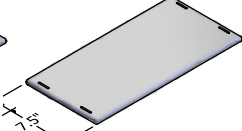
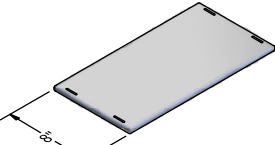
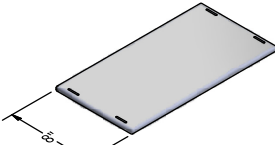
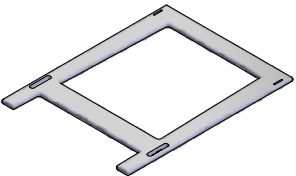
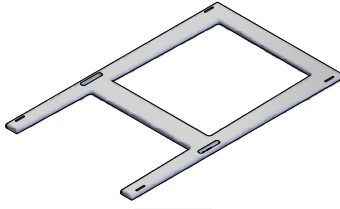
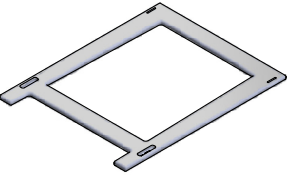
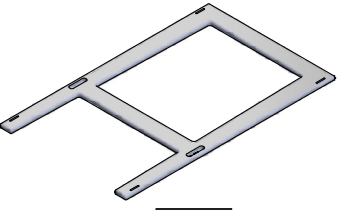
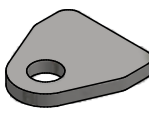
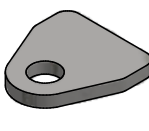
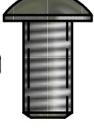
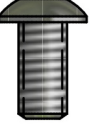
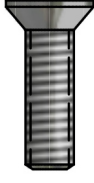
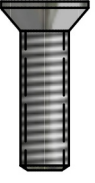


INCLUDED PARTS

COUNTER	BAR
 P1L 1x	 P1L 1x
 P1R 1x	 P1R 1x
 P2L 1x	 P2L 1x
 P2R 1x	 P2R 1x
 P3L 1x	 P3L 1x
 P3R 1x	 P3R 1x
 P4 1x	 P4 1x
 P5 1x	 P5 1x
 P6 1x	 P6 1x
 P7F 1x	 P7F 1x
 P7B 1x	 P7B 1x
 MB 14x	 MB 18x
 1/2" 14x	 1/2" 18x
 7/8" 8x	 7/8" 8x

*Bolts shown actual size.

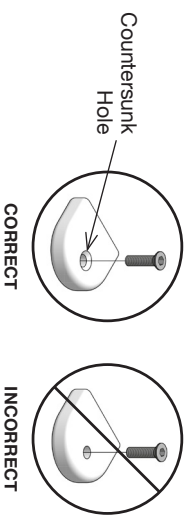
*Bolts shown actual size.

ASSEMBLY TIPS: 5 Important Points You NEED to Read

1. Prior to beginning assembly, please inspect and inventory the parts to make sure you have everything and that nothing was damaged during shipping. If damage has occurred, please take photos and go to lollidesigns.com/damage. Rest assured we'll get it taken care of straight away!
2. To avoid scratching furniture, assemble on a clean, soft surface like a blanket, carpet, or the flattened cardboard box the furniture was shipped in.
3. **Start all bolts by hand to ensure proper alignment and to prevent cross threading.** Then using the provided tool, tighten until you feel resistance. Do not overtighten.
4. Bolts should not be forced, but some components, particularly blocks, fit snug but can still be installed without tools or excess force.
5. If parts are still not going together, please send us a photo of the part you are having trouble with.

BLOCK & BOLT INSTALLATION

Insert bolts through countersunk hole side of blocks as shown below.



"Loll Designs inspires people to appreciate the outdoors."

Greg Benson - Founder

♻️ RECYCLE THE PACKAGING

We've gone through great lengths to make as much of our packaging as possible recyclable. The cardboard box, paper wrap, filler and paper bags can all go in your recycling bin. The muslin hardware bags replaced plastic bags with the intention of reducing plastic and encouraging reuse. Loll Designs and Planet Earth thank you!

WE WANT YOU TO LOVE YOUR LOLL

For more info and visual aids, watch the assembly videos at www.lollidesigns.com/videos. For product care & maintenance, visit www.lollidesigns.com/care-maintenance. For further lollygagging assistance, please reach out!

+1 877-740-3387
sales@lollidesigns.com

5912 Waseca Street
Duluth, Minnesota 55807

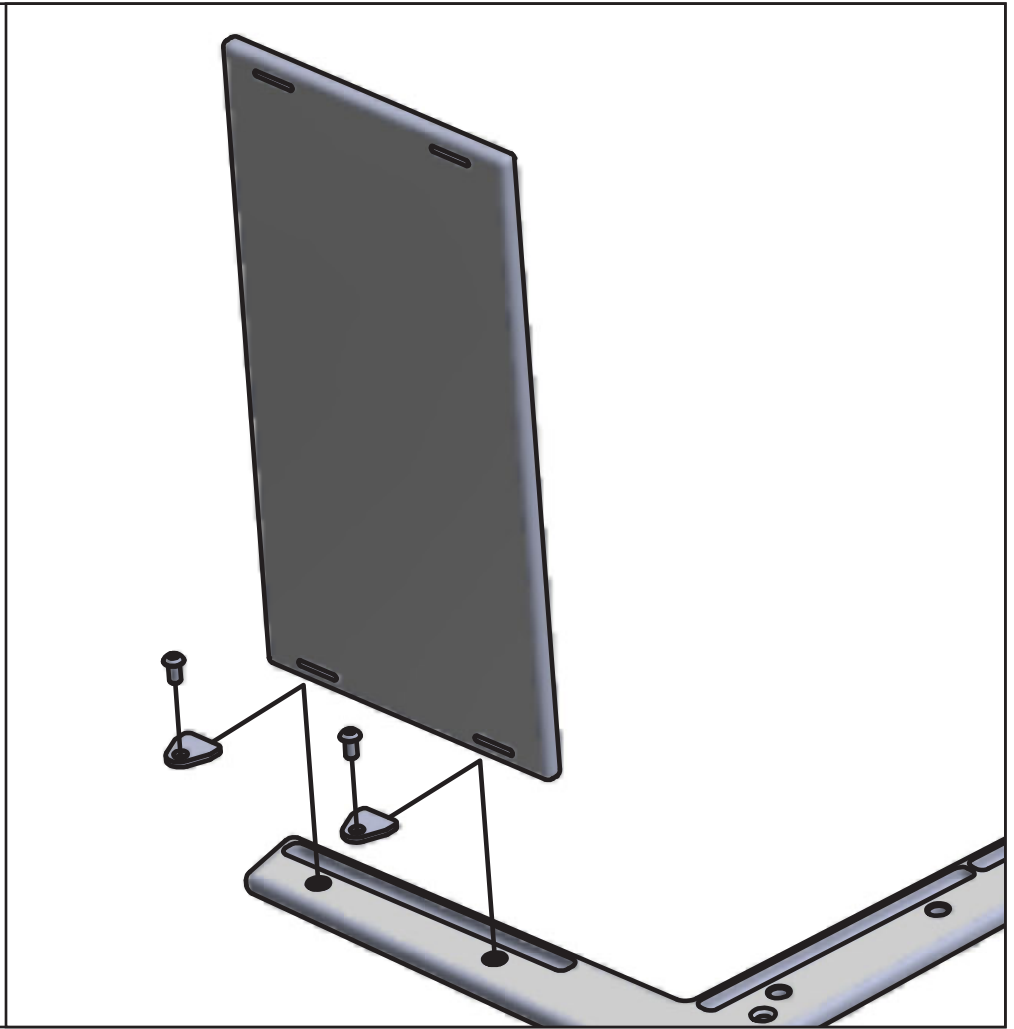
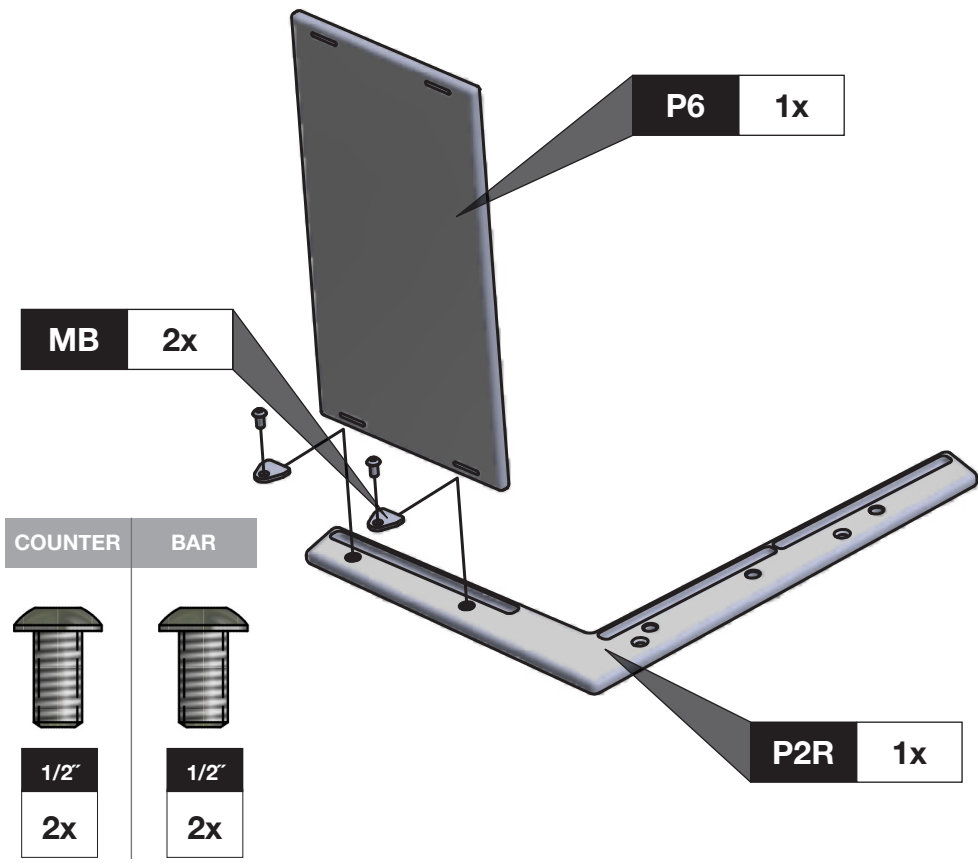
ASSEMBLY INSTRUCTIONS & PRODUCT INFO:

ALFRESCO
BAR + COUNTER STOOL

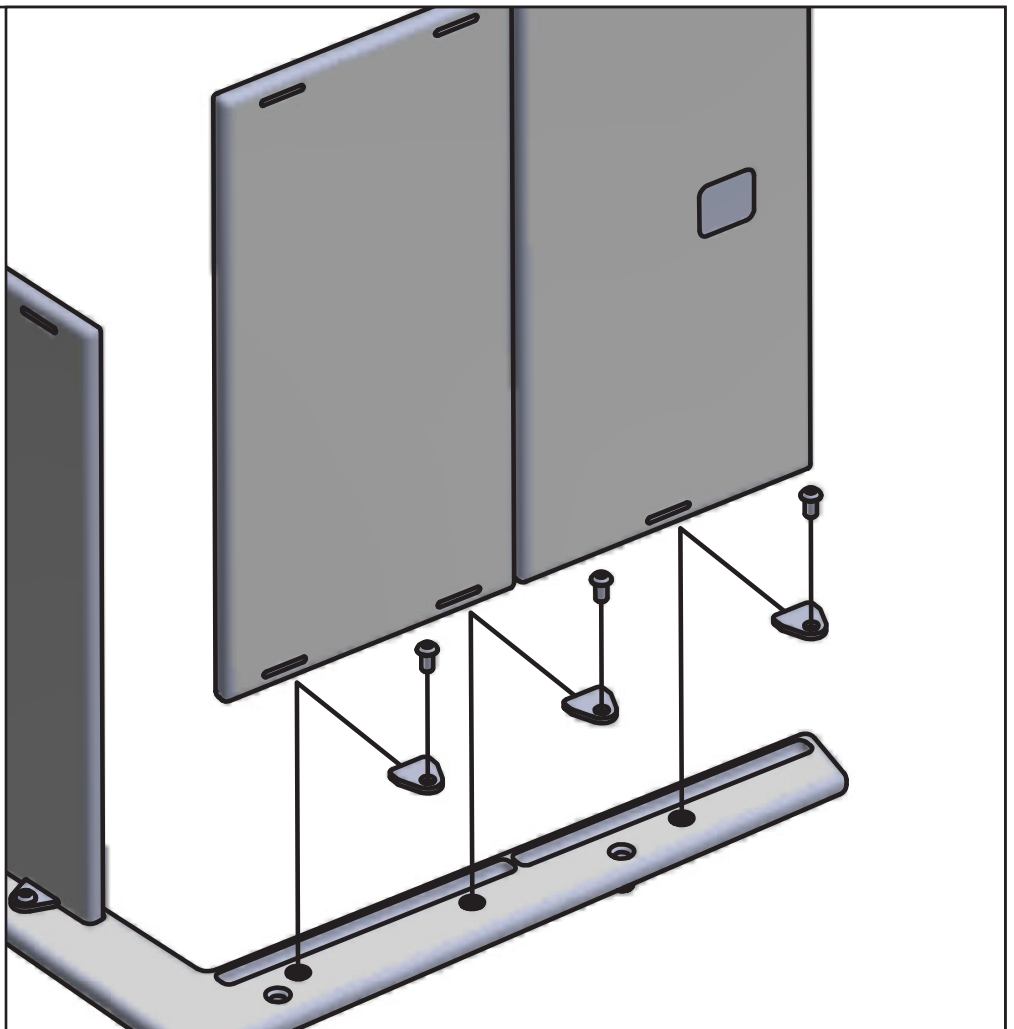
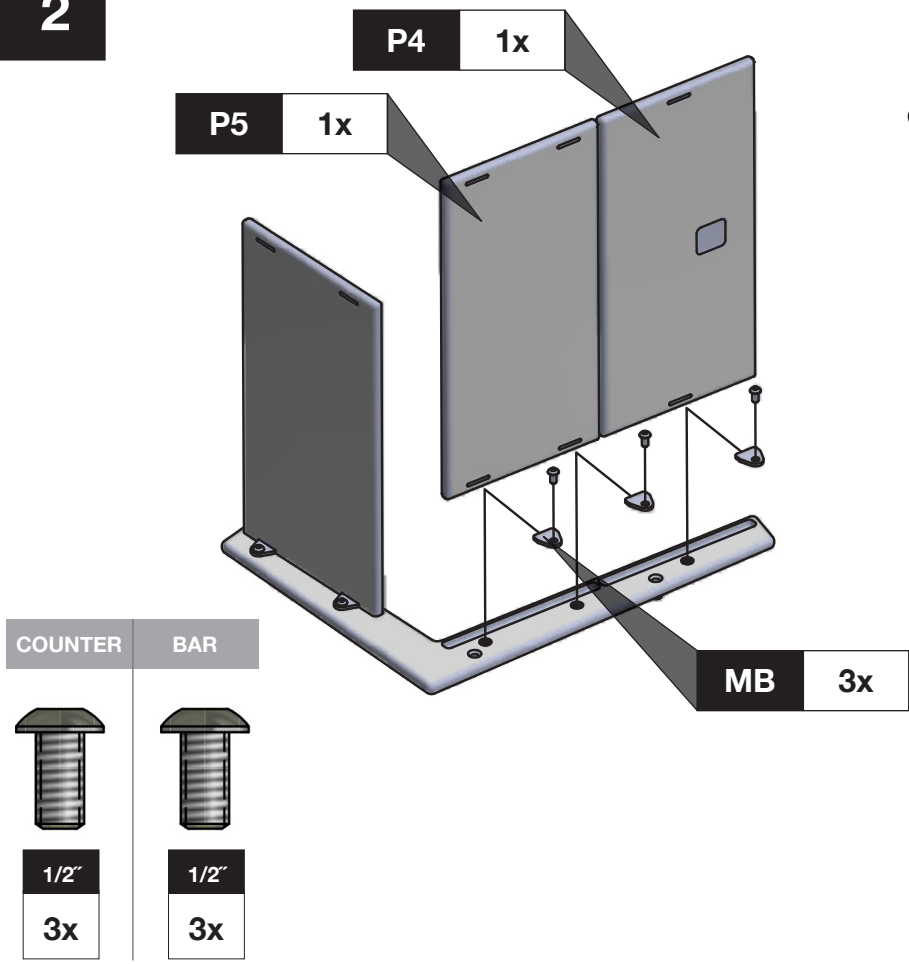


1

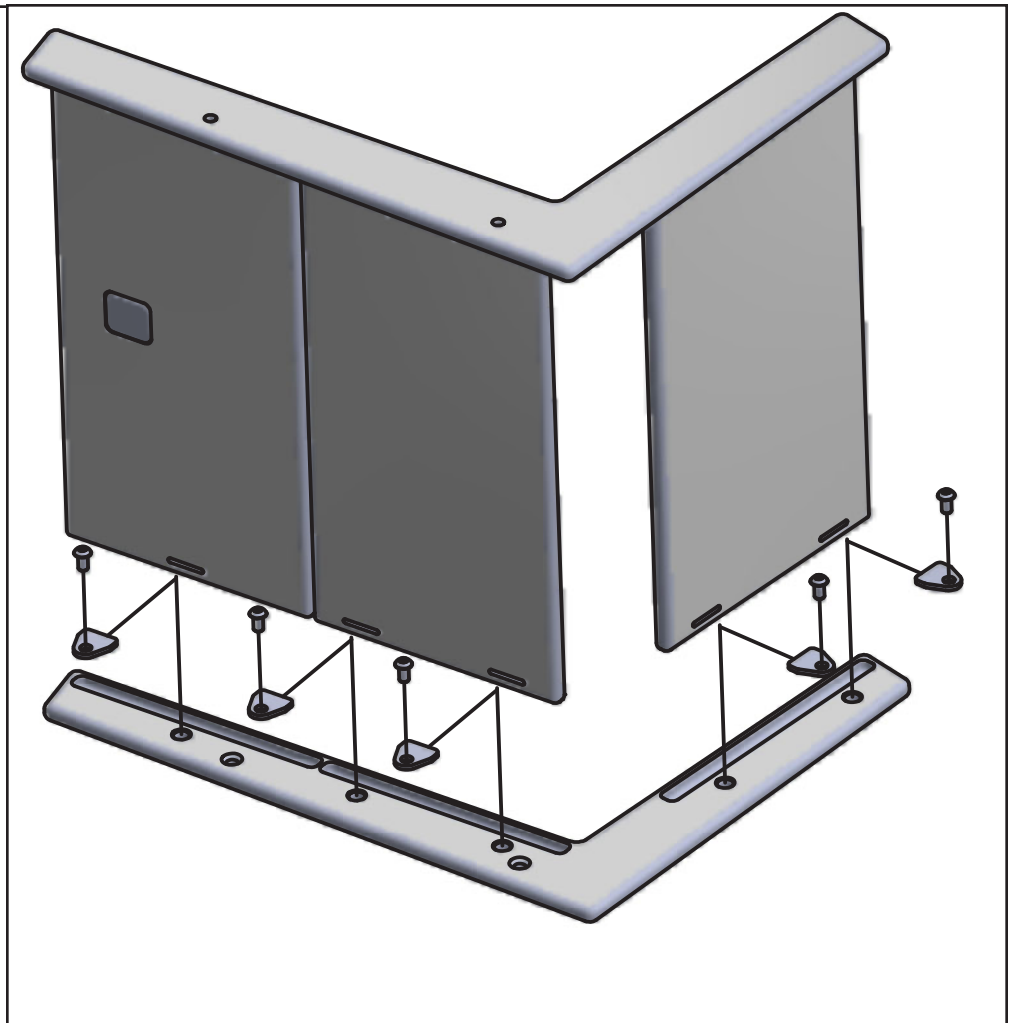
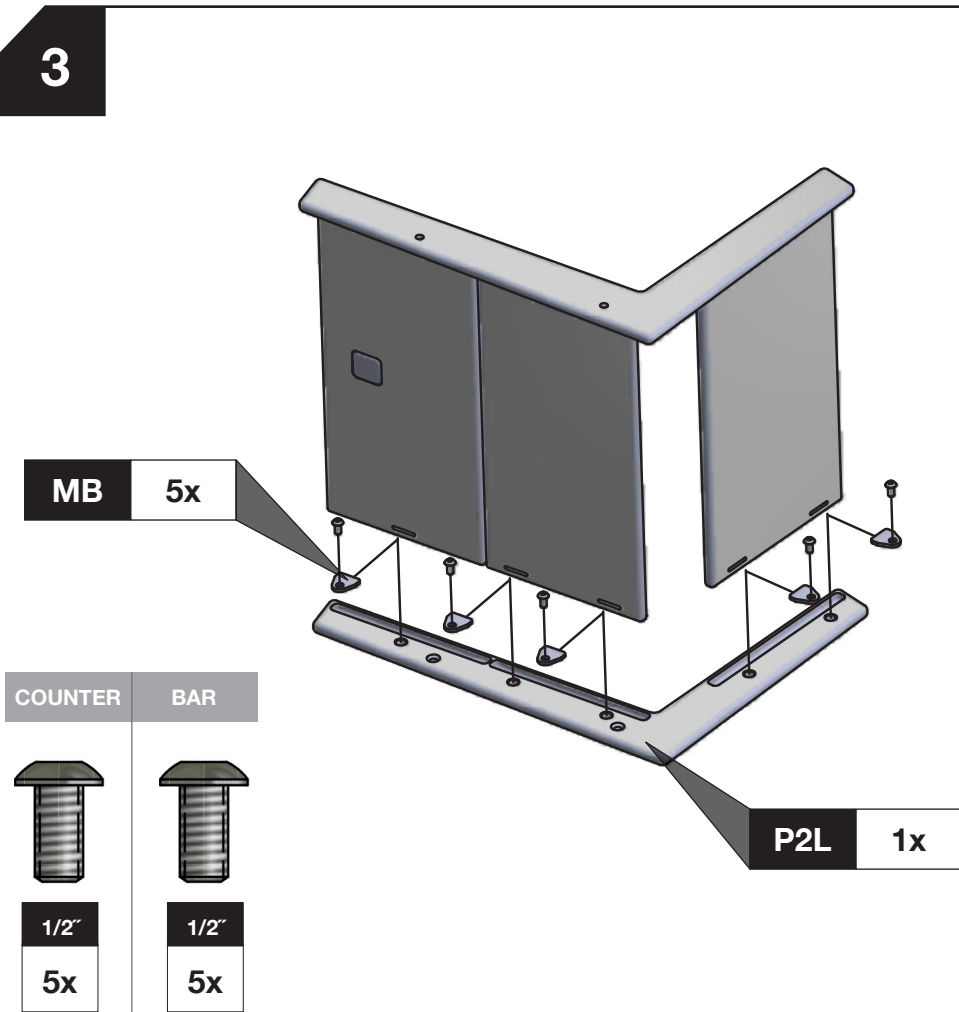
*Alfresco Bar Stool Shown



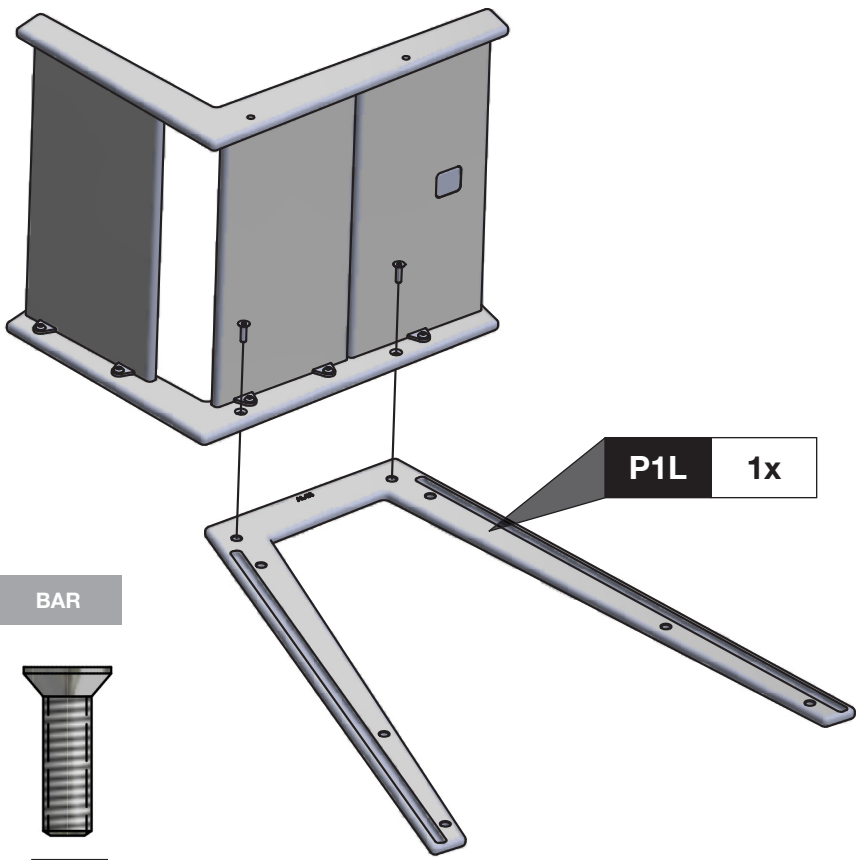
2



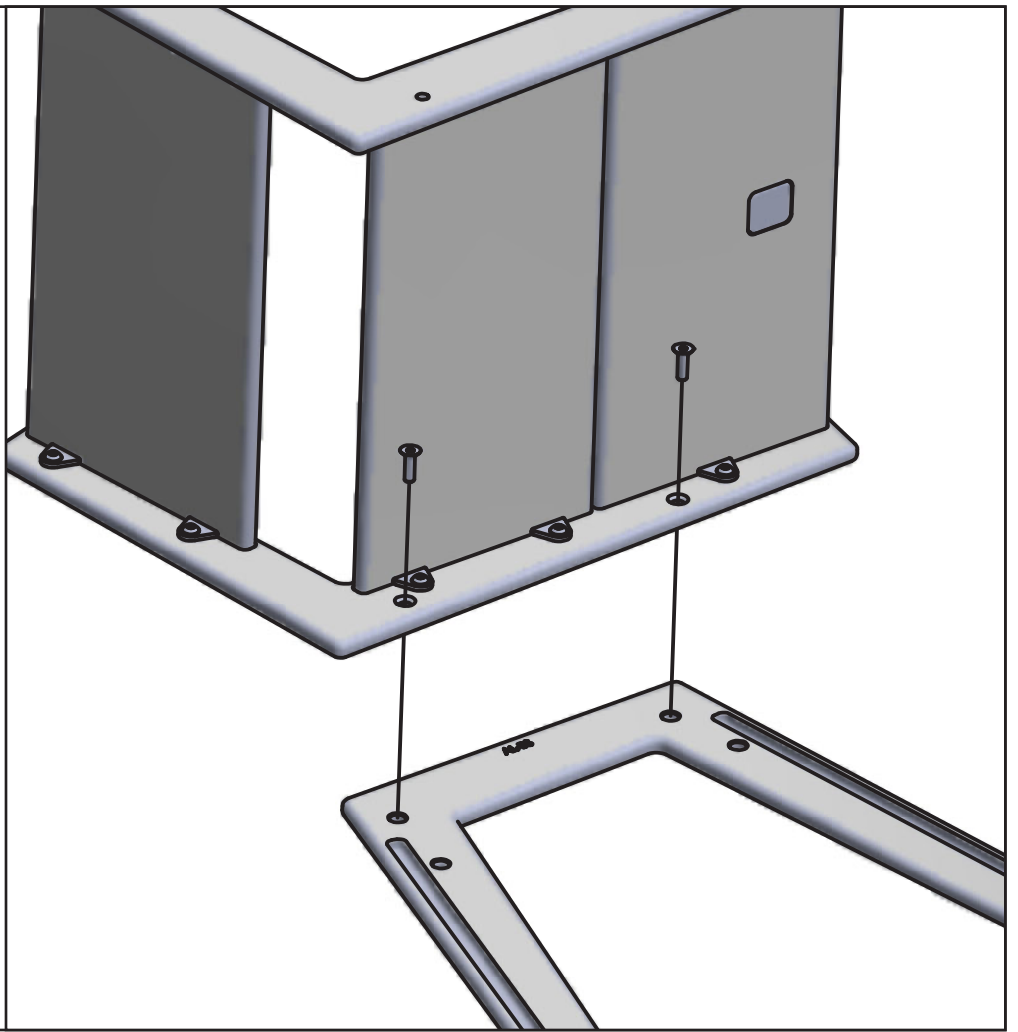
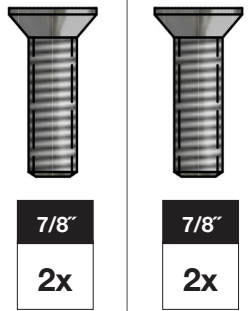
3



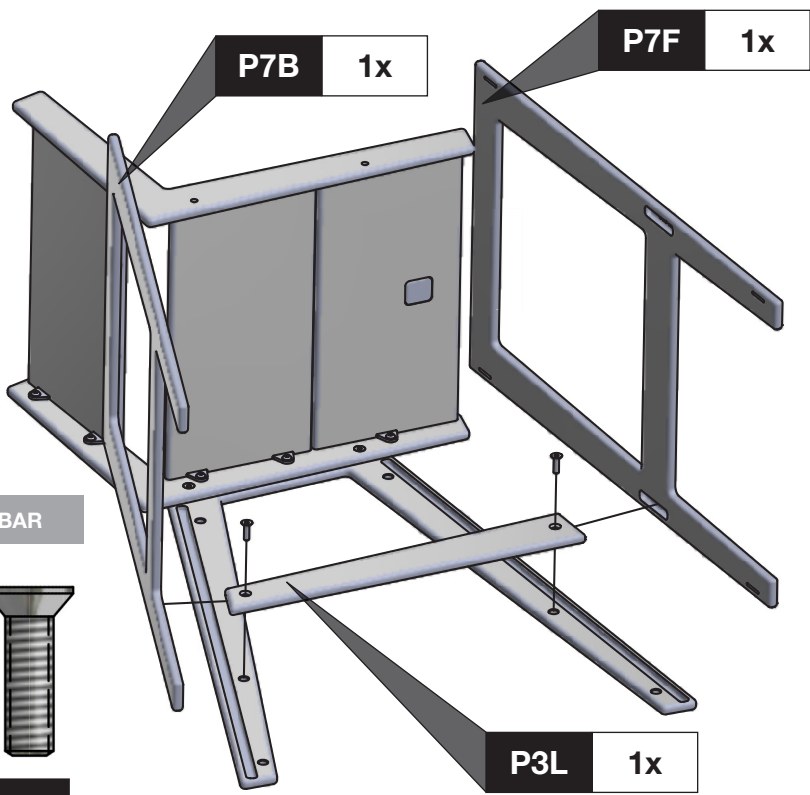
4



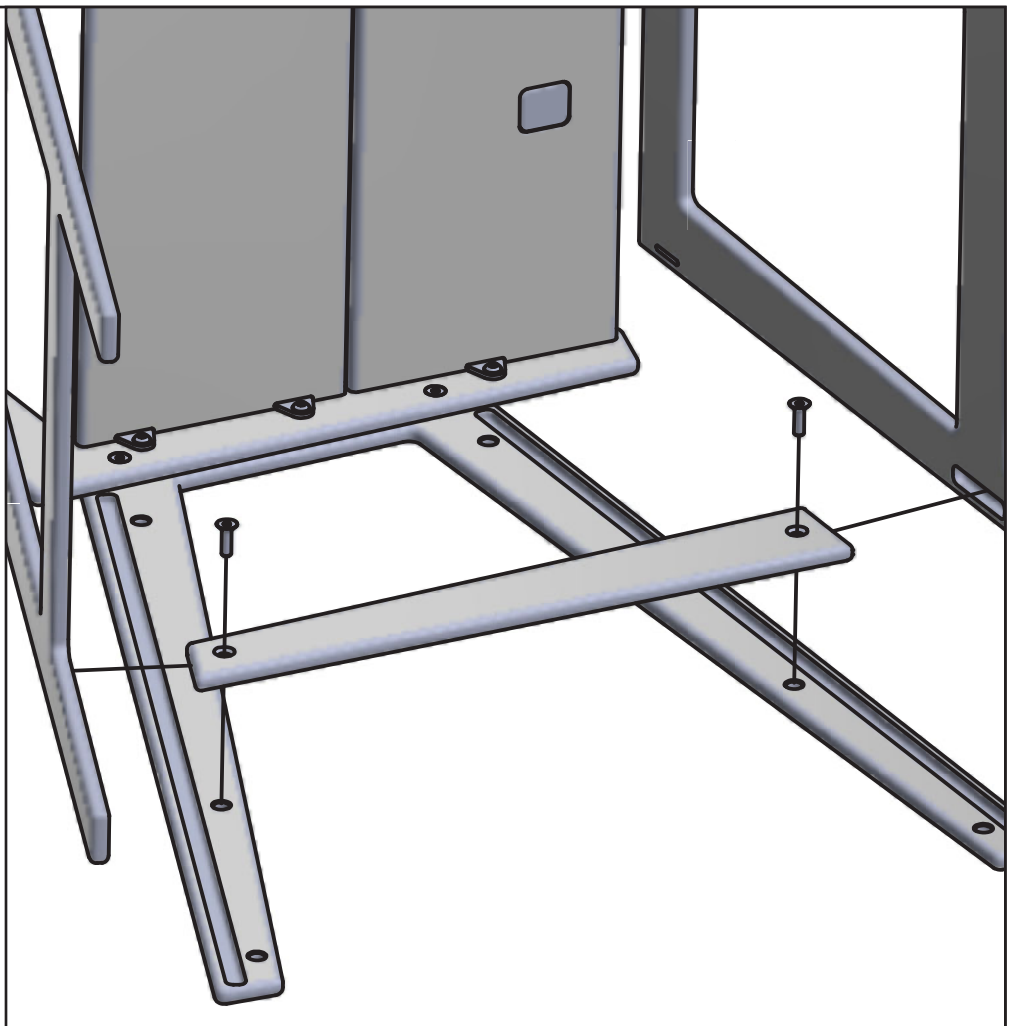
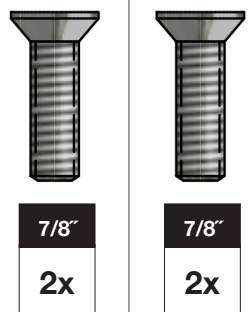
COUNTER	BAR
---------	-----



5

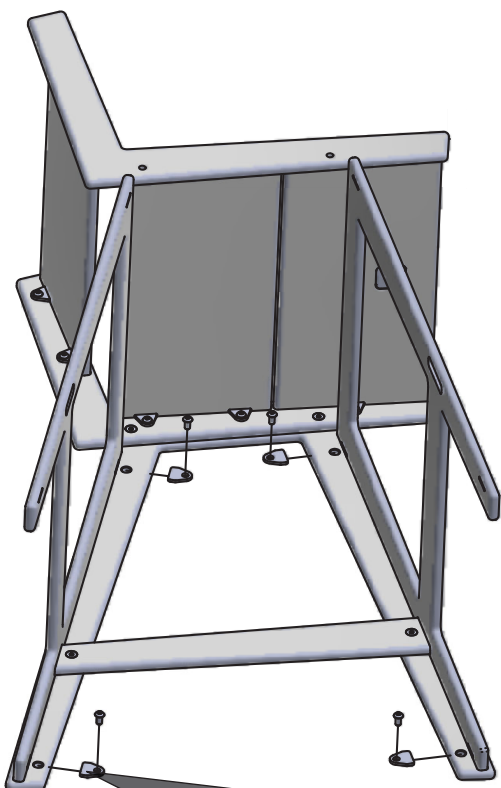


COUNTER	BAR
---------	-----

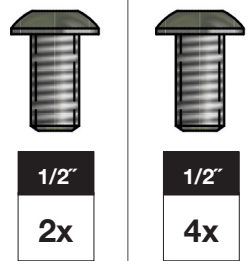


6

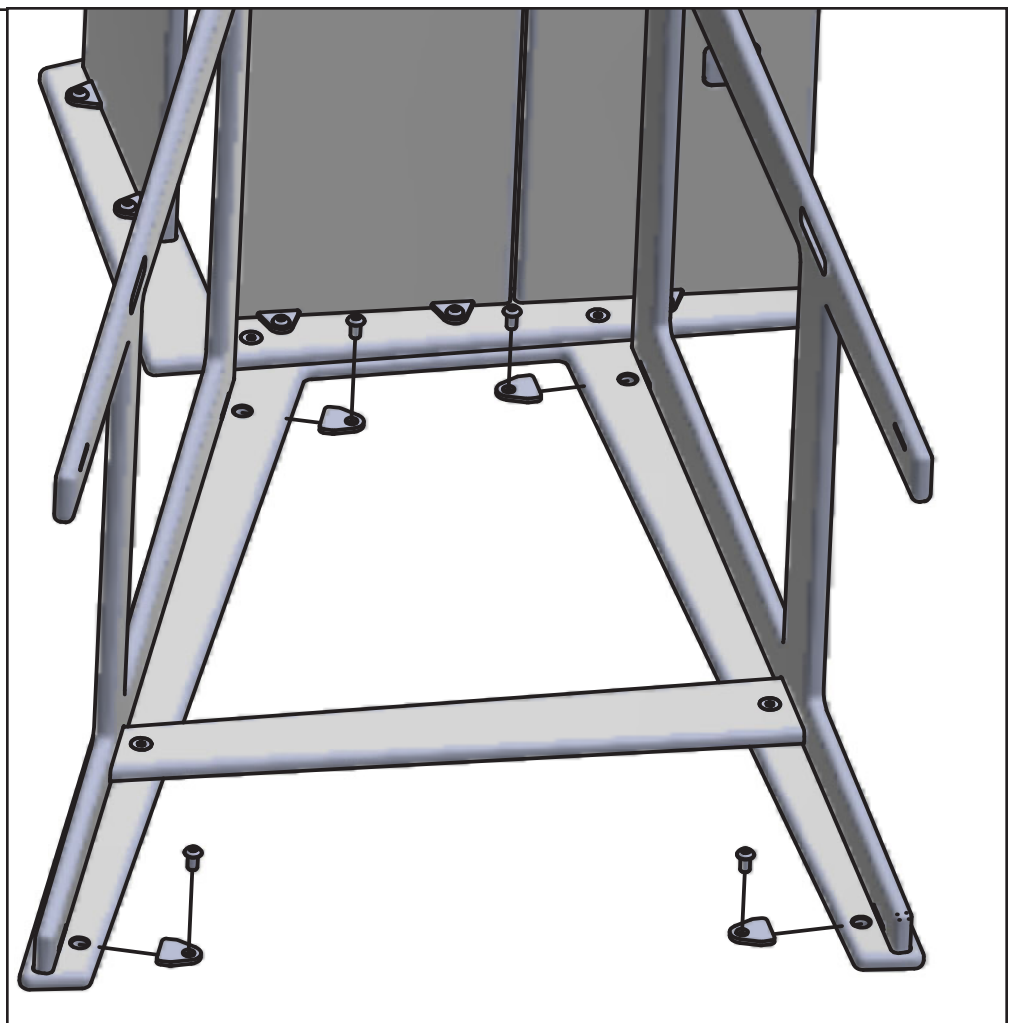
*Alfresco Counter Stool does not have the blocks on feet.



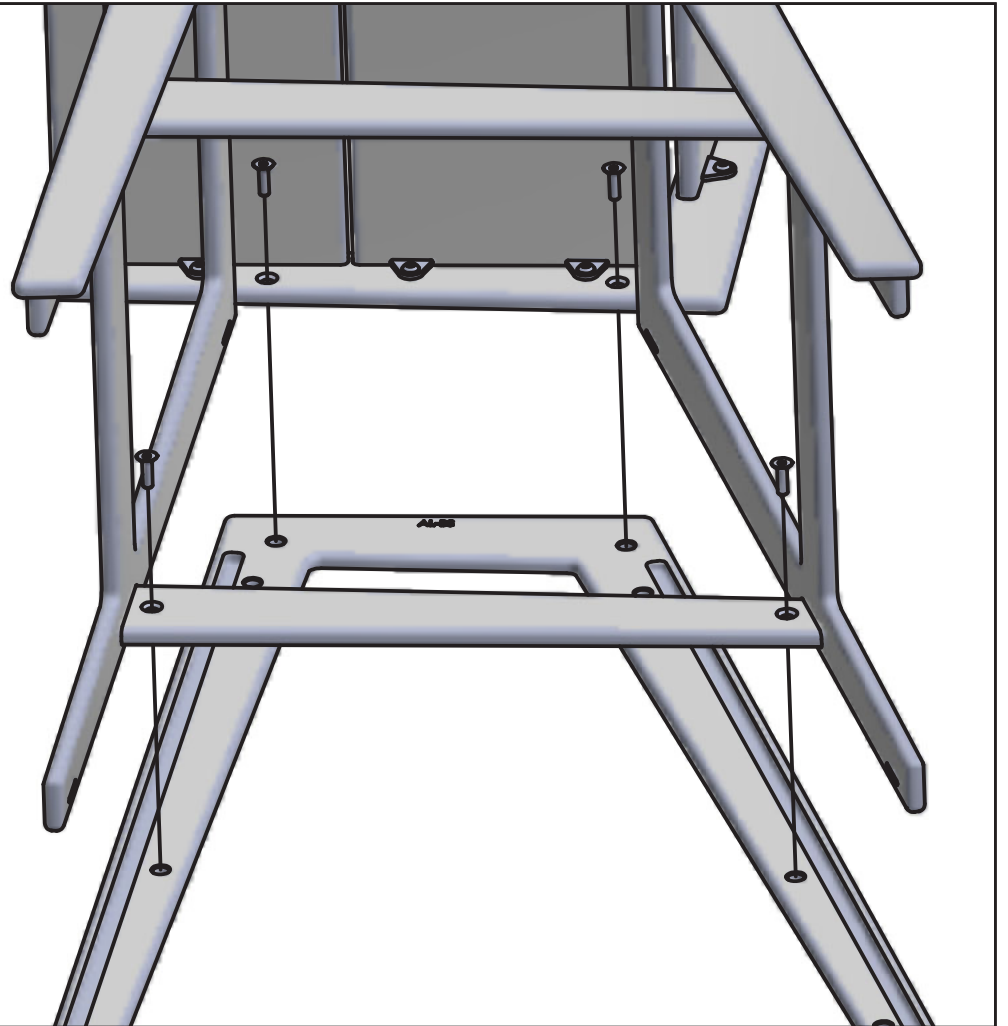
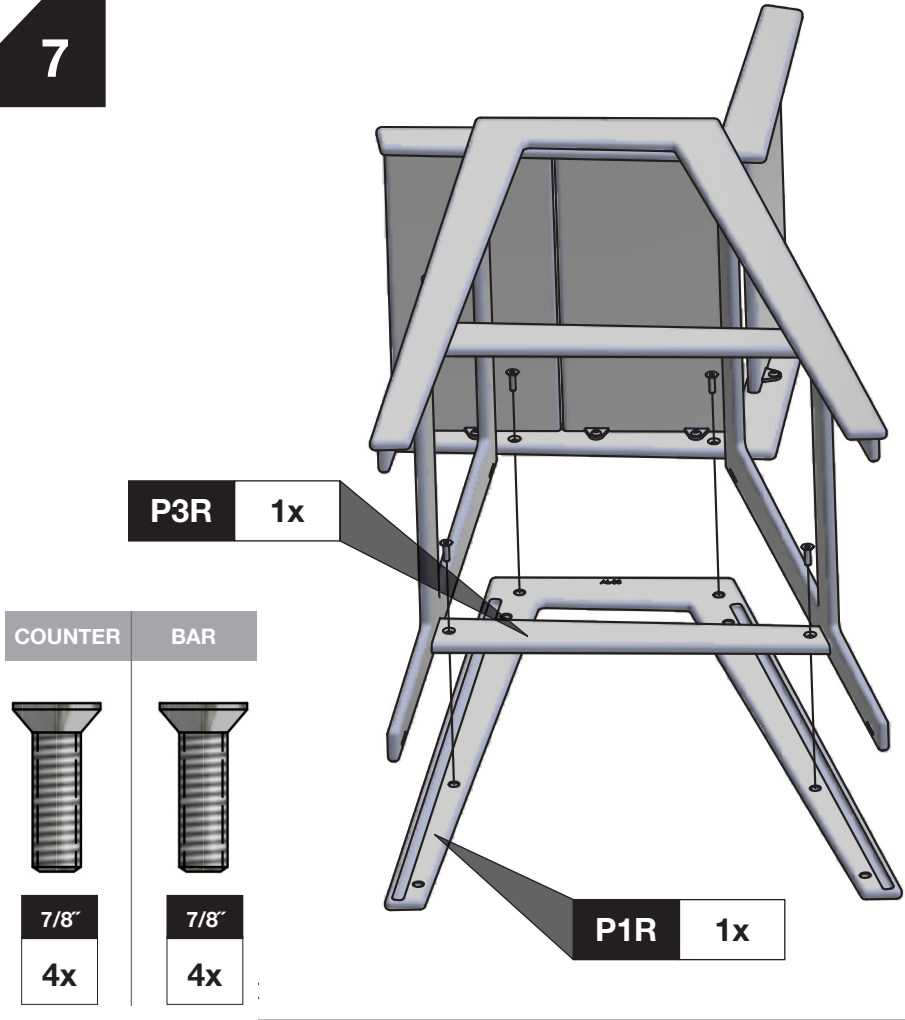
COUNTER	BAR
---------	-----



MB	
COUNTER	BAR
2x	4x



7



8

*Alfresco Counter Stool does not have the blocks on feet.

